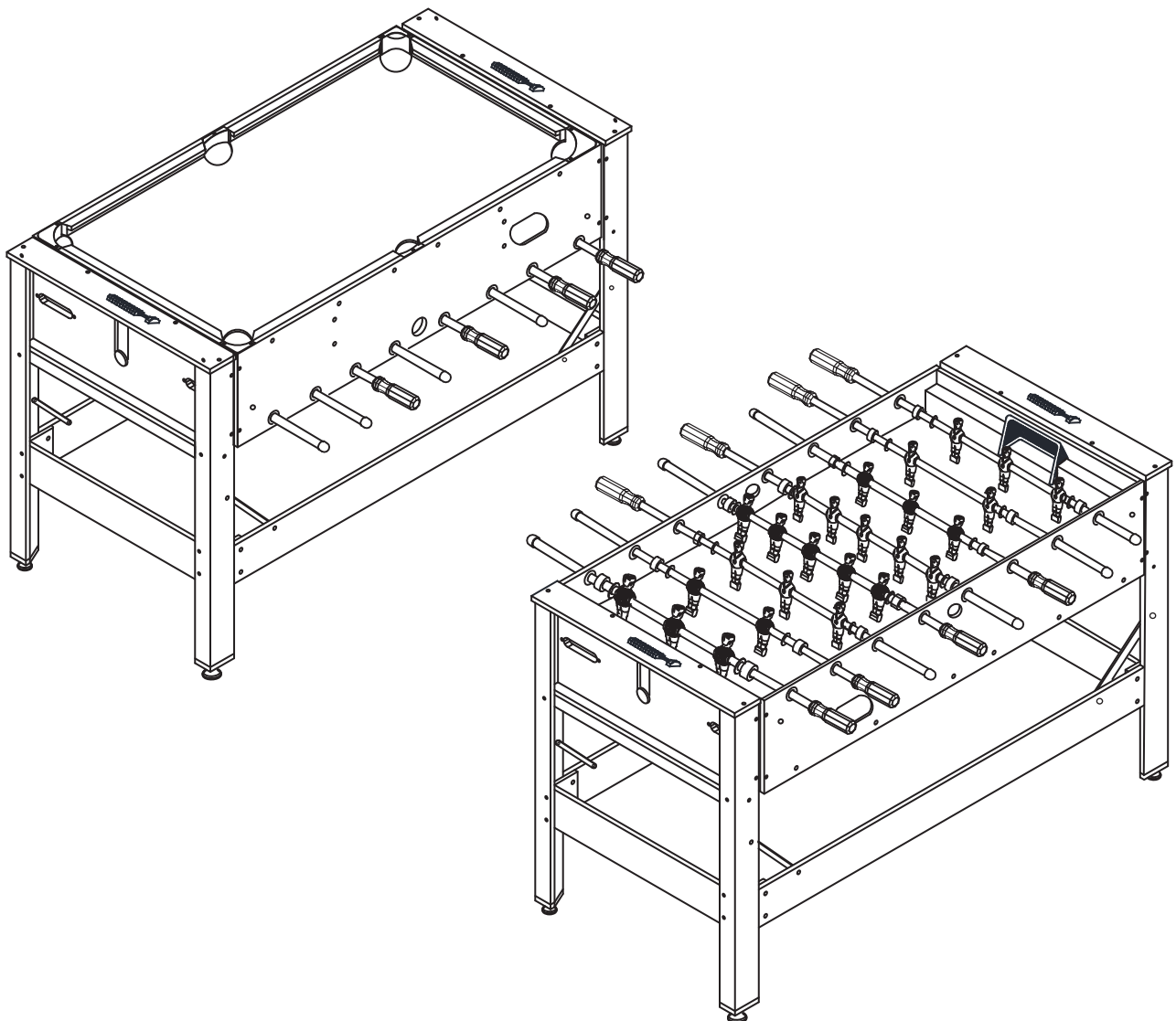




# KICK Twain 48"

(Brown/Black)

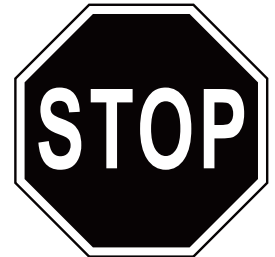
2 IN 1 MULTI-GAME SWIVEL FOOSBALL TABLE  
ASSEMBLY INSTRUCTIONS



FY420

# Assembly Instructions

**WARNING: TWO ADULTS ARE NEEDED TO ASSEMBLE THE SOCCER TABLE**



## Official Website of KICK Foosball Tables



IF YOUR TABLE HAS DAMAGES, MISSING PARTS, OR YOU ARE NOT **100%** SATISFIED PLEASE CONTACT **KICK, NOT THE RESELLER.**

← SCAN THIS QR CODE TO CONTACT US IF YOU FACE ANY ISSUES.

FOR THE LATEST INSTRUCTION MANUALS, VIDEOS, TABLE ASSEMBLY INFO, DIFFERENT GOALIE SETUPS, PLAYER TYPES, AND OTHER HELPFUL TIPS - PLEASE VISIT THE LINK BELOW OR SCAN THIS QR CODE →

[www.KICKFoosballTables.com/Instructions/](http://www.KICKFoosballTables.com/Instructions/)



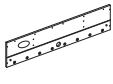
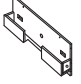
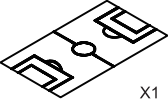
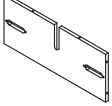



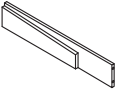
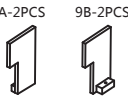
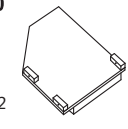
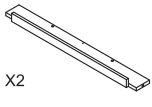
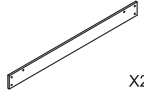
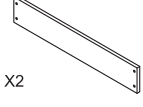
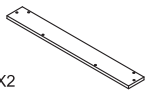


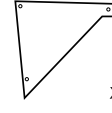
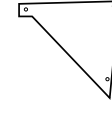
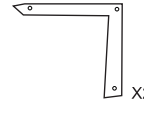
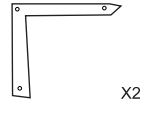
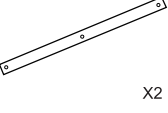
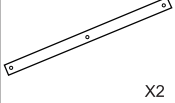
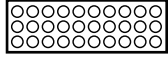
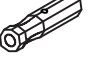






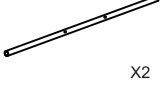
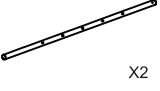
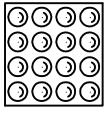





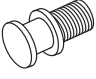



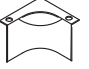




### **CONTACT INFORMATION:**

**Email:** Support@KICKFoosballTables.com  
**Website:** www.KICKFoosballTables.com  
**Phone:** 1 (866) 844-KICK (5425) or (210) 664-8934

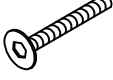

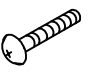




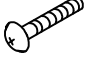





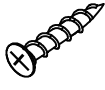

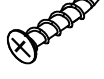


### **MAILING ADDRESS:**

KICK Sports  
PO Box 790311  
San Antonio, Texas 78279

# PARTS LIST

1  X2 SIDE PANEL	2  X2 END PANEL	3  X1 PLAYFIELD	4  X2 LEG PANEL	5  X2 RIGHT LEG	6  X2 LEFT LEG	7  X1 BILLIARD TABLE
8  X2 SUPPORT BRACE	9 9A-2PCS 9B-2PCS  X4 BALL RETURN SUPPORT BOARD	10  X2 BALL RETURN BOTTOM BOARD	11  X2 ACCESSORY HOLDER BOARD	12  X2 SIDE LEG PANEL	13  X2 END LEG SUPPORT PANEL	14  X2 END TOP RAIL
15  X4 LEG LEVELER	16  X4 STOP RING	1c  X2 TRIANGLE a	1d  X2 TRIANGLE b	2c  X2 L STYLE PLASTIC a	2d  X2 L STYLE PLASTIC b	3c  X2 LONG PLASTIC a
3d  X2 LONG PLASTIC b	P13a 1 SET  SCREW HOLE CAP (to cover the hole of the screws S1)	18  X8 ROD HANDLE	19  X8 ROD END CAP	20  X16 ROD BUMPER	21  X16 ROD WASHER	22a  X13 PLAYER
22b  X13 PLAYER	23  X4 3 PLAYER ROD	24  X2 2 PLAYER ROD	25  X2 5 PLAYER ROD	26  X1 BILLIARD BALLS SET	27  X1 TRIANGLE	28  X2 CUC STICK
29  X1 BRUSH	30  X2 CHALKS	31  X2 SOCCER BALL	32  X2 ROTATION AXIS	33  X8 PLAYER ROD STOPPER	34  X4 LOCKER	35  X2 MANUAL SCORER
36  X4 CORNER POCKET LID	37  X2 SIDE POCKET LID	38  X2 SOCCER GOAL	39  X4 SPACER BLOCK	40  X4 METAL LEG SUPPORT		

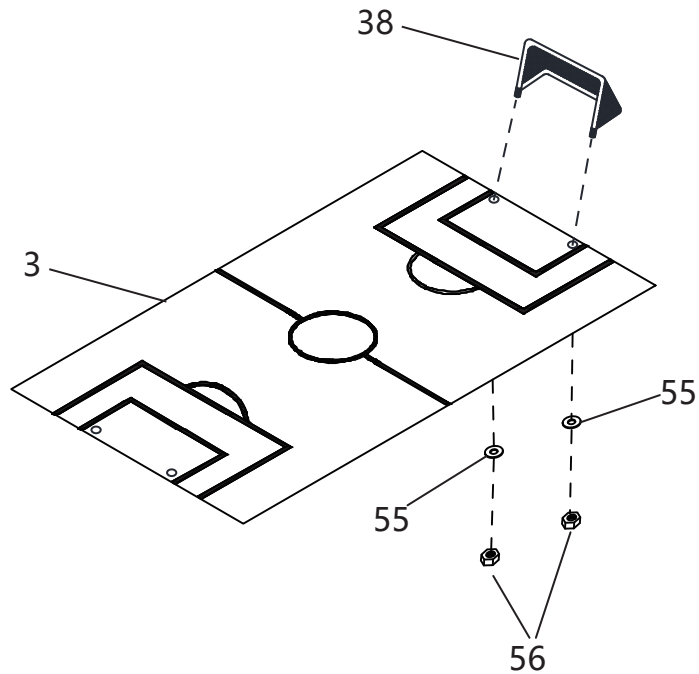
# HARDWARE

44  X12 1/4" x 1-1/2" BOLT	45  X24 1/4" x 1-1/8" BOLT	46  X26 1/8" x 3/4" BOLT	47  X26 1/8" NUT	48  X16 1/8" x 1-3/4" SCREWS	49  X8 1/8" x 5/8" SCREWS	50  X10 1/8" x 1/2" SCREWS
51  X8 5/32" x 1" BOLT	52  X8 5/32" NUT	53  X18 1/8" x 1" SCREWS	54  X1 ALLEN WRENCH	55  X48 1/4" WASHER	56  X4 M6 NUT	57  X22 1/8" x 1" SCREWS
58  X24 1/8" x 1-1/2" SCREWS	59  X8 1/8" x 1/2" SCREWS	60  X8 1/4" NUT	S2  X36 3/8" FLAT HEAD SCREWS			

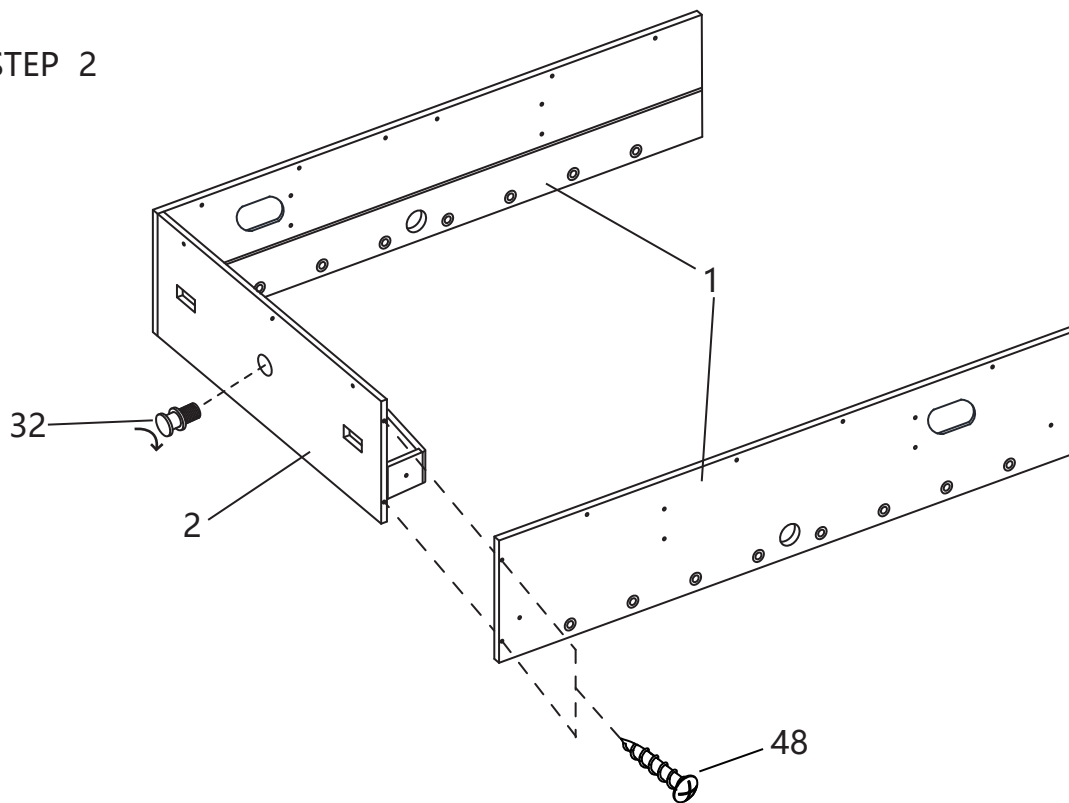
# Assembly Instructions

**WARNING: TWO ADULTS ARE NEEDED TO ASSEMBLE THE SOCCER TABLE**

**STEP 1** Attach the 2 SOCCER GOALS (#38) to the both ends of the Play Field ( #3)



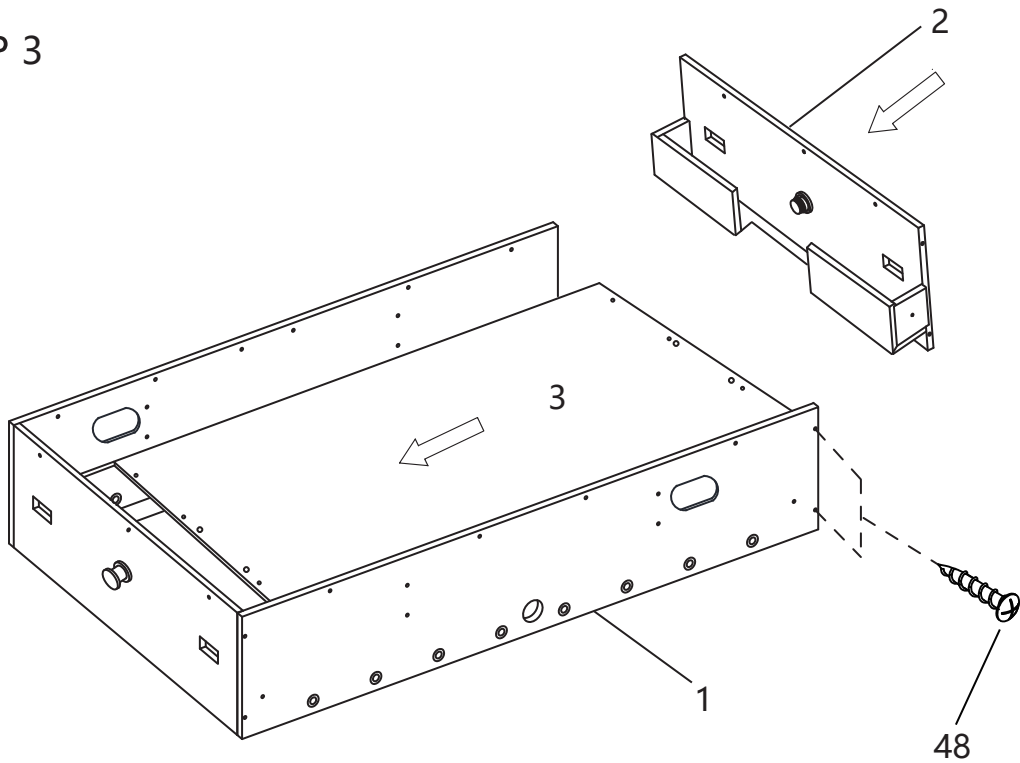
**STEP 2**



# Assembly Instructions

WARNING: TWO ADULTS ARE NEEDED TO ASSEMBLE THE SOCCER TABLE

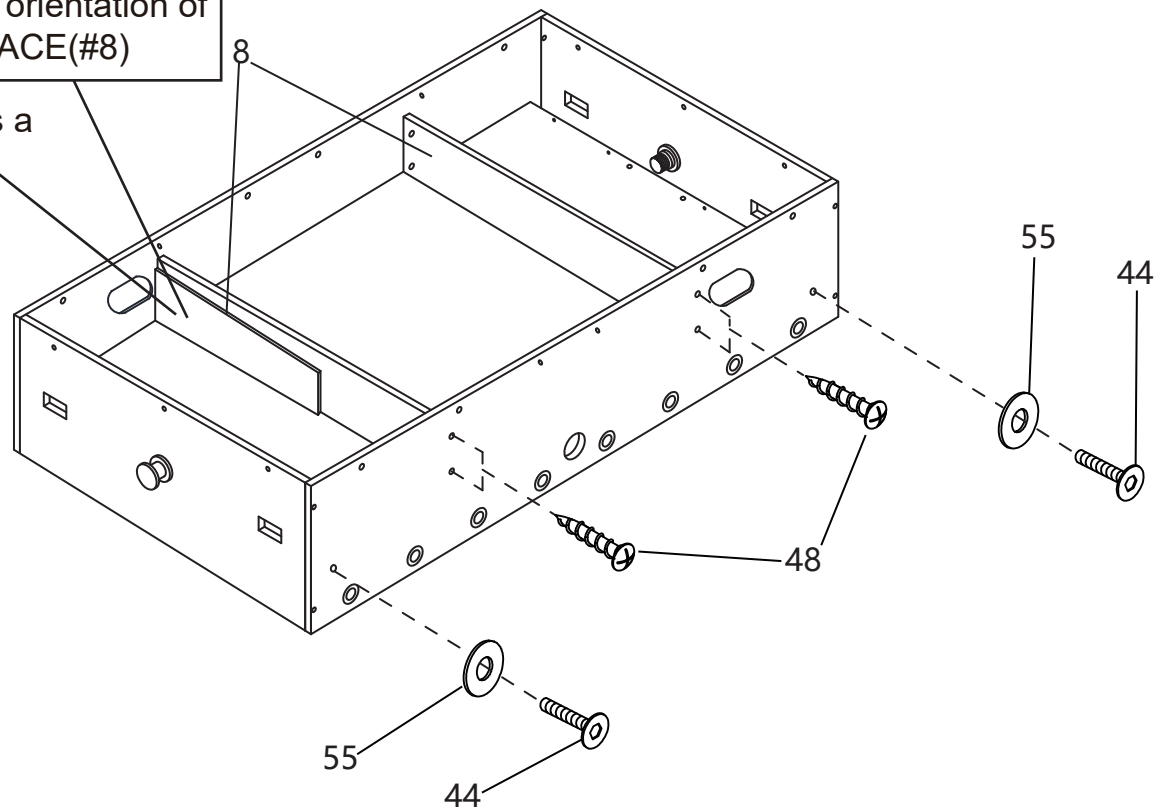
## STEP 3



## STEP 4

Note the mounting orientation of the SUPPORT BRACE(#8)

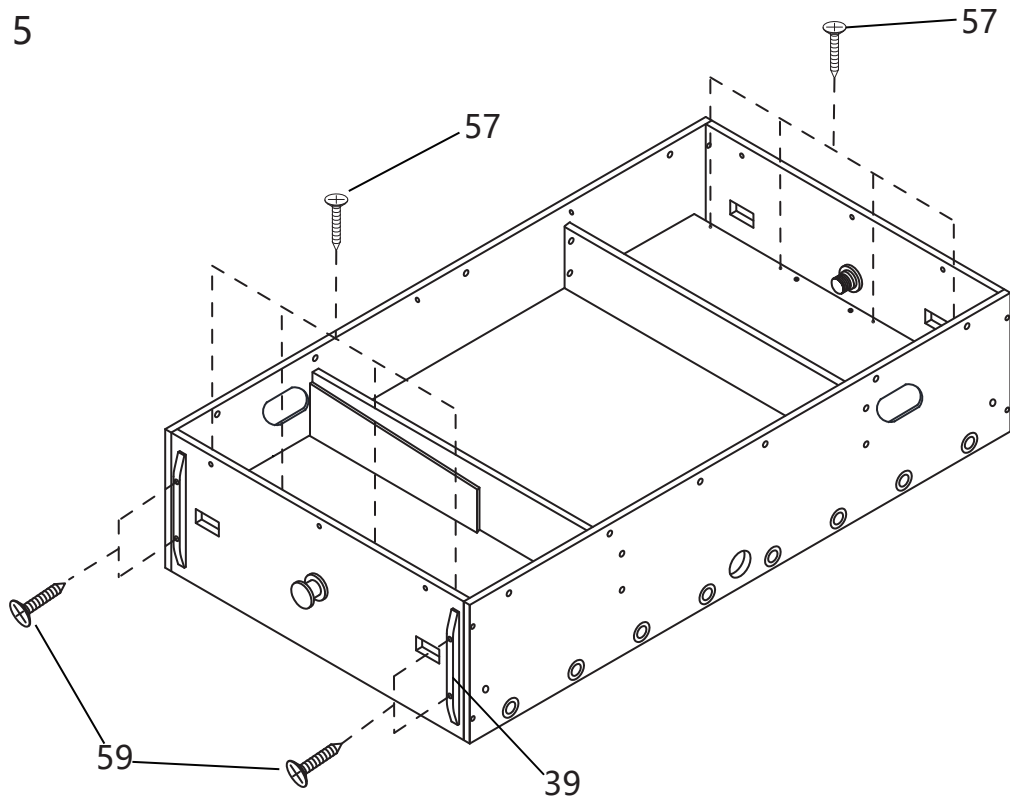
This side of #8 has a supporting board



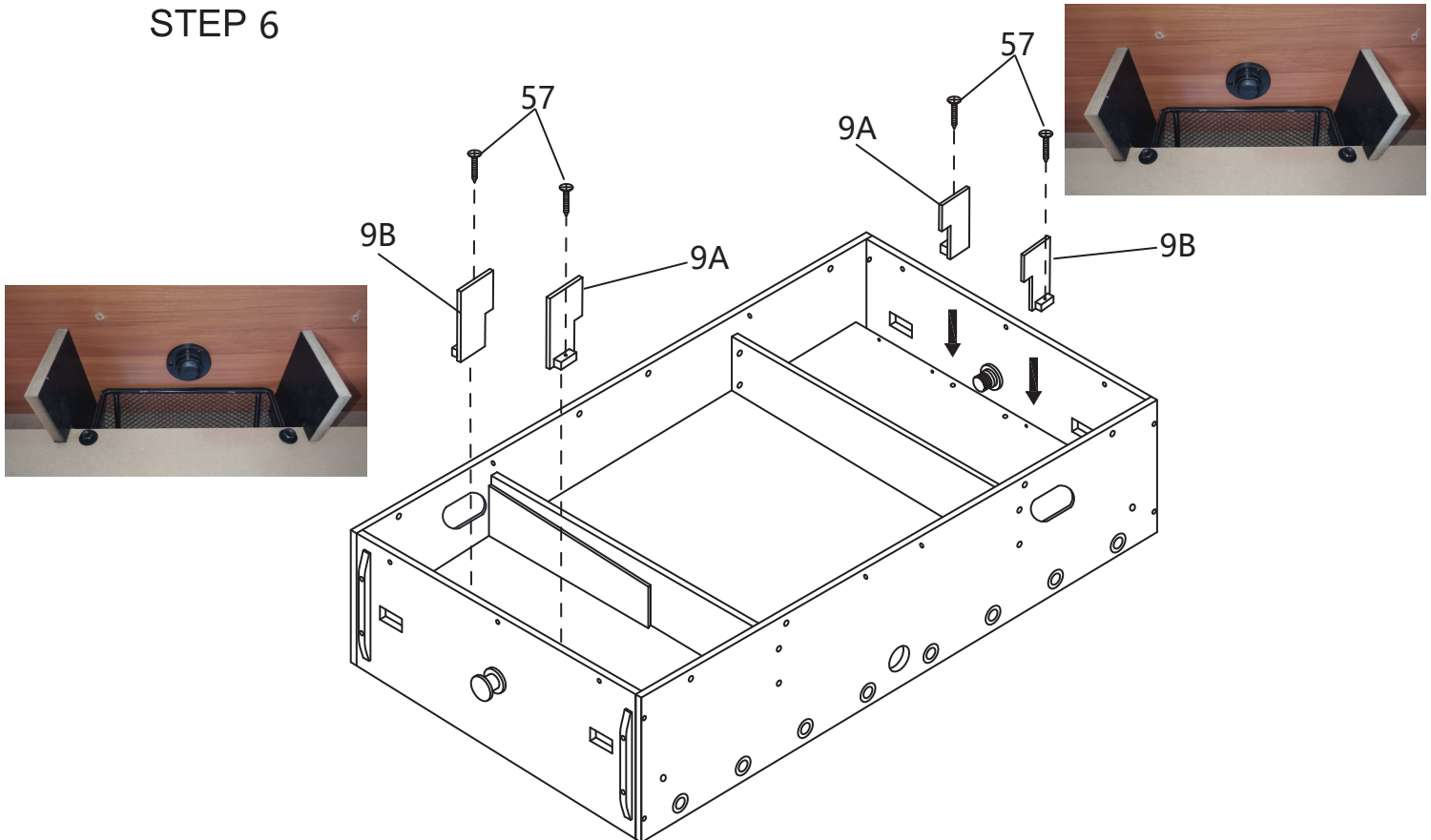
# Assembly Instructions

WARNING: TWO ADULTS ARE NEEDED TO ASSEMBLE THE SOCCER TABLE

## STEP 5



## STEP 6

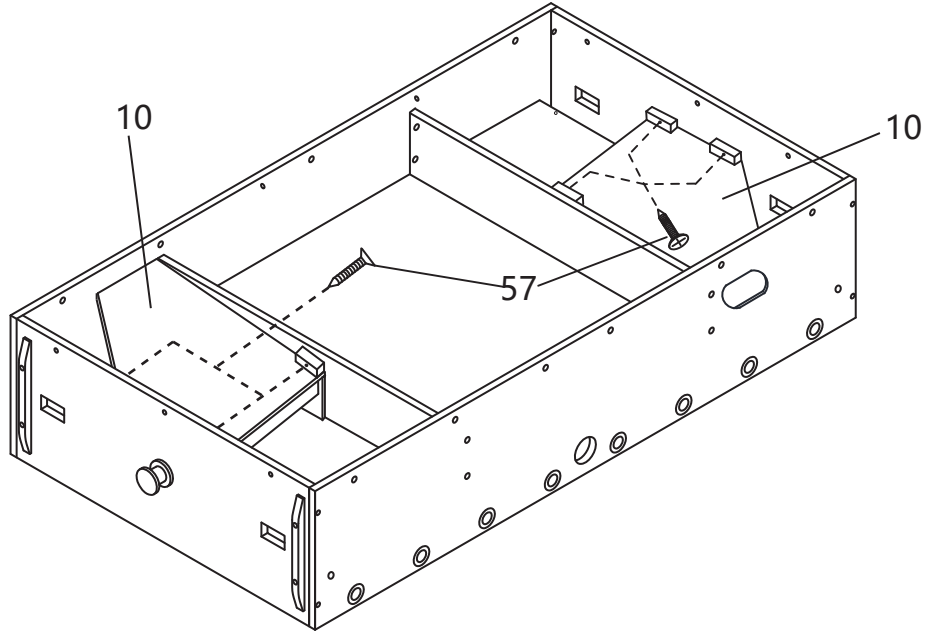


# Assembly Instructions

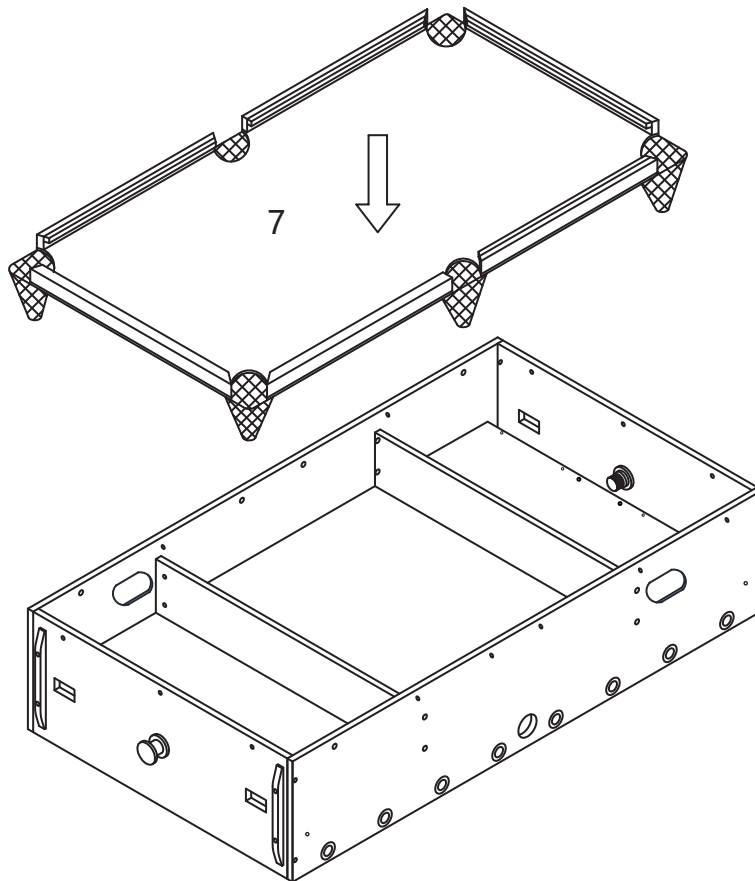
**WARNING: TWO ADULTS ARE NEEDED TO ASSEMBLE THE SOCCER TABLE**

## STEP 7

In this step please pay attention the orientation and the position for the BALL RETURN BOTTOM BOARD ( #10)



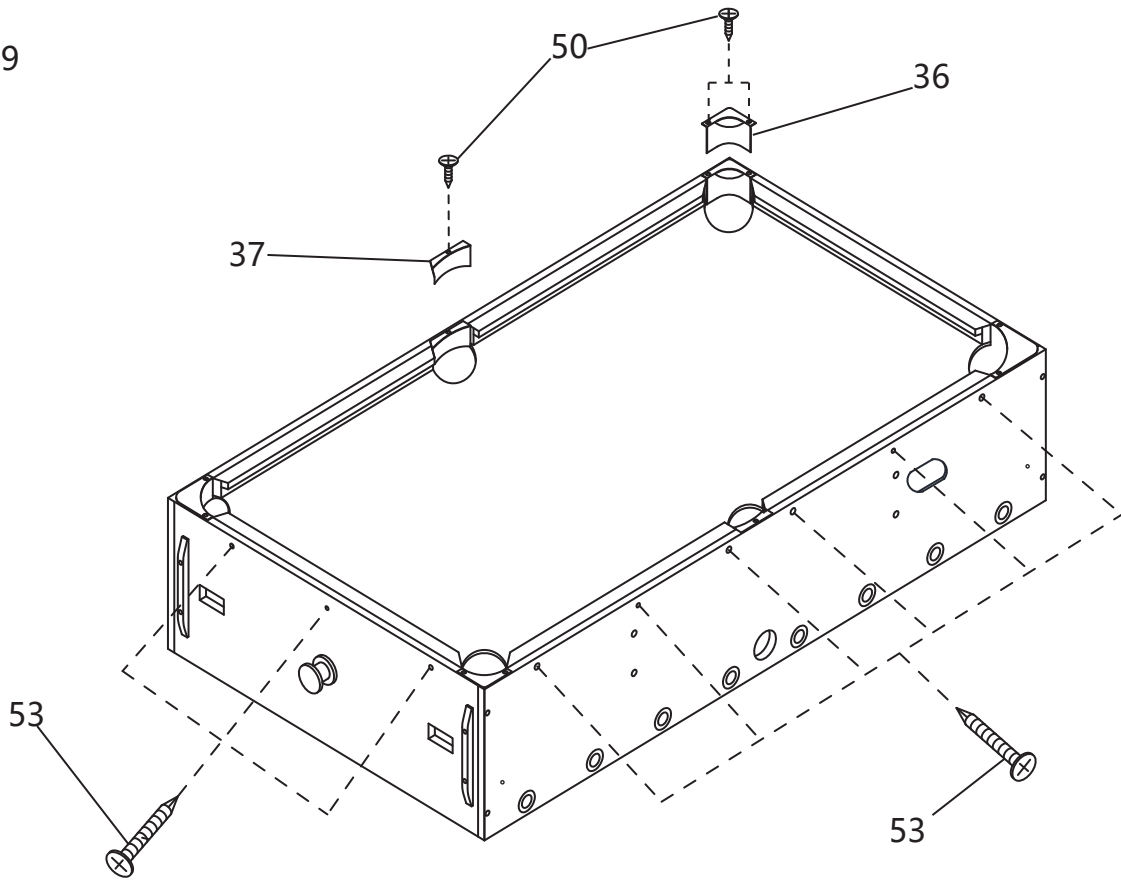
## STEP 8



# Assembly Instructions

WARNING: TWO ADULTS ARE NEEDED TO ASSEMBLE THE SOCCER TABLE

STEP 9

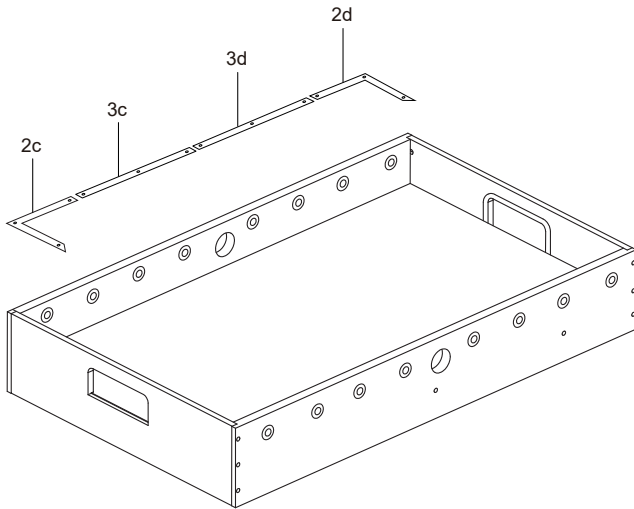


# Assembly Instructions

**WARNING: TWO ADULTS ARE NEEDED TO ASSEMBLE THE SOCCER TABLE**

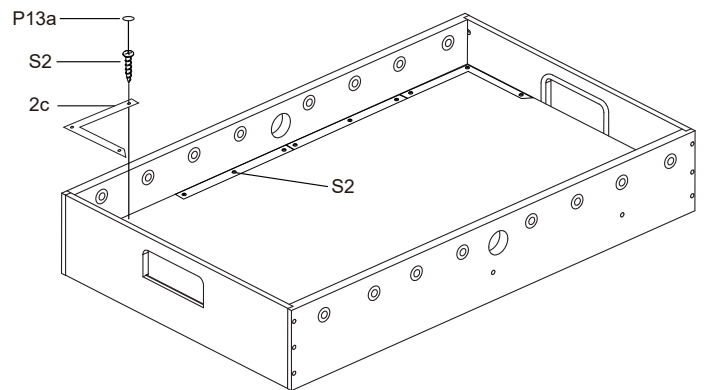
## STEP 10A

Steps 10A to 10E are optional if you want.



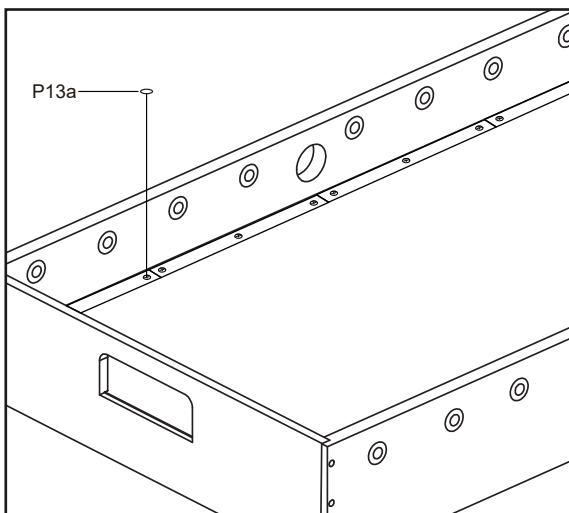
## STEP 10B

Attach the plastic 2c, 2d, 3c, 3d to the playing field with S2.

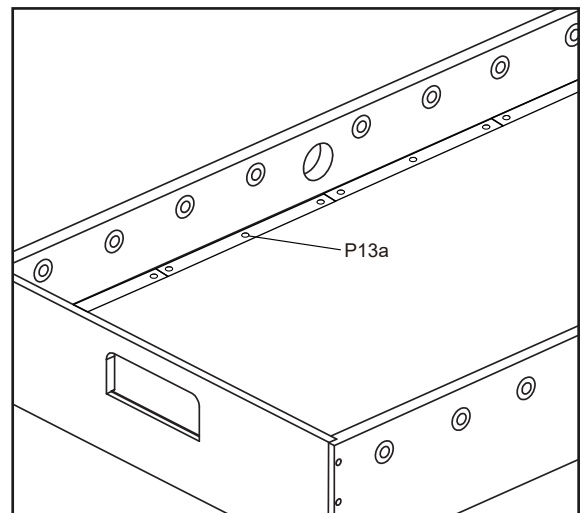


## STEP 10C

Cover the Screw Hole Cap P13a to the screw hole.



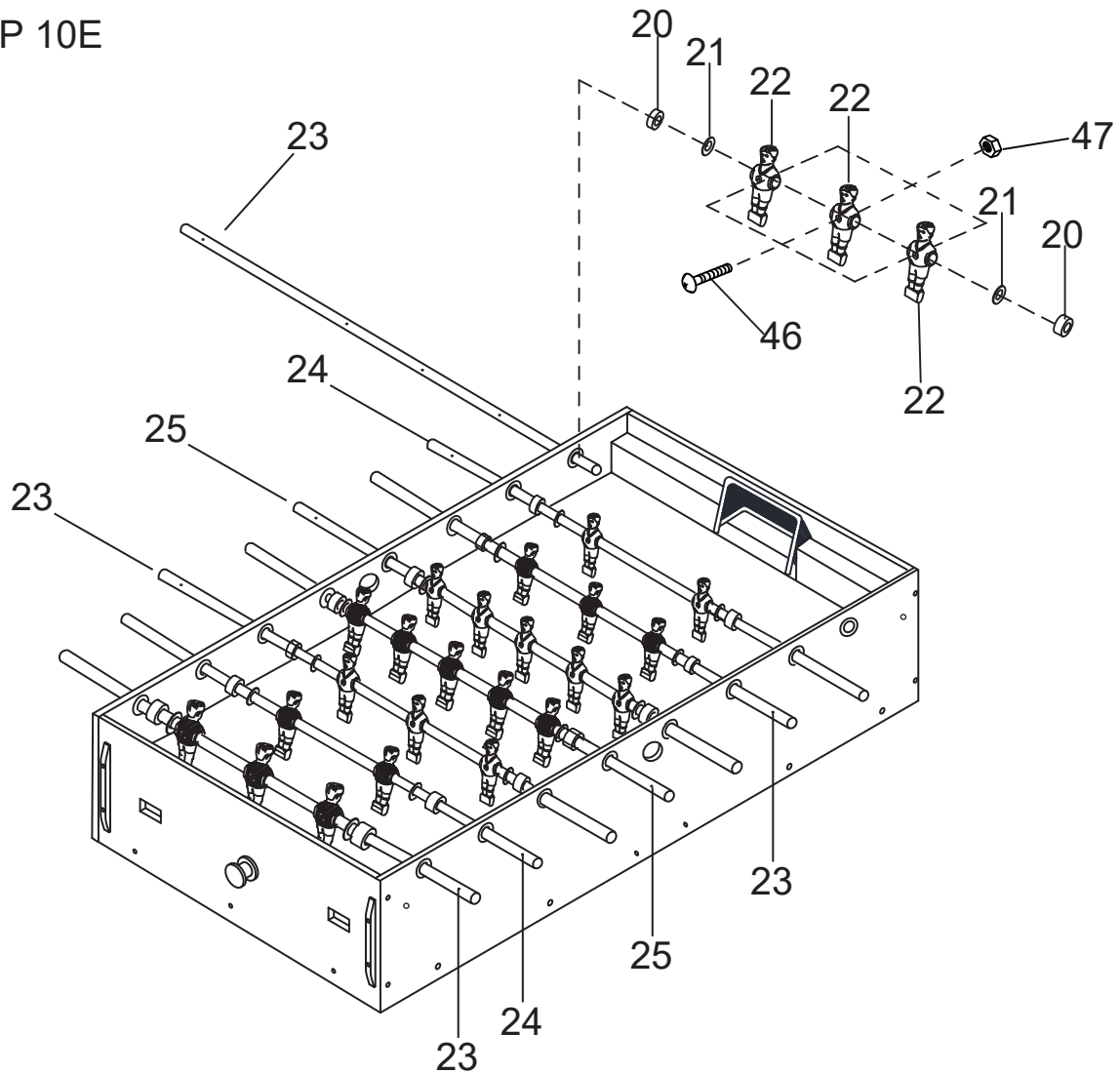
## STEP 10D



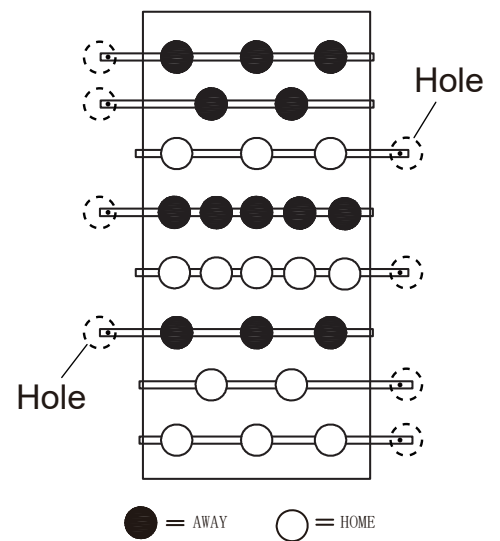
# Assembly Instructions

**WARNING: TWO ADULTS ARE NEEDED TO ASSEMBLE THE SOCCER TABLE**

## STEP 10E



*Insert the rod end part way through one side panel, and then place the rest of the parts needed on each rod, in the order shown, before inserting through the other side panel.*

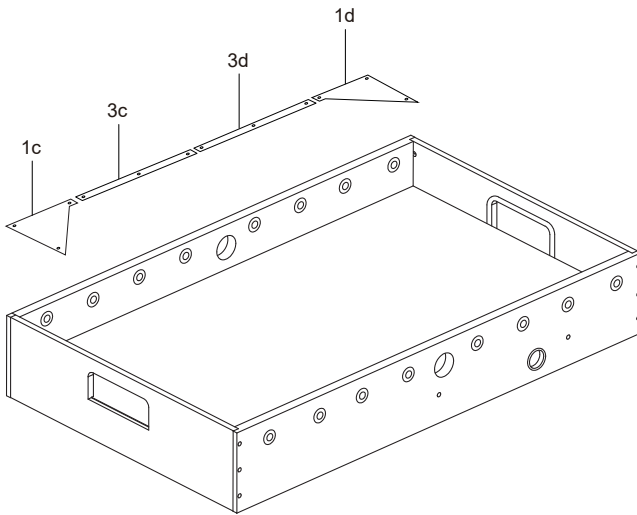


# Assembly Instructions

**WARNING: TWO ADULTS ARE NEEDED TO ASSEMBLE THE SOCCER TABLE**

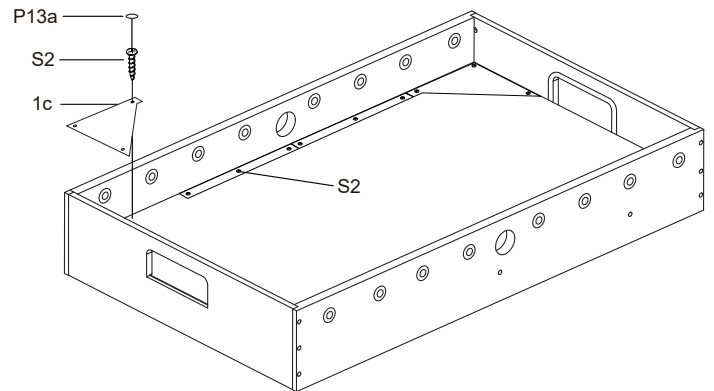
## STEP 11A

Steps 11A to 11E are optional if you want.



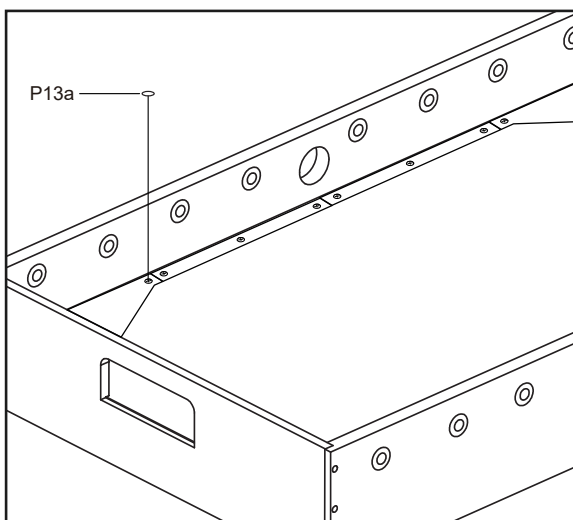
## STEP 11B

Attach the plastic 1c, 1d, 3c, 3d to the playing field with S2.

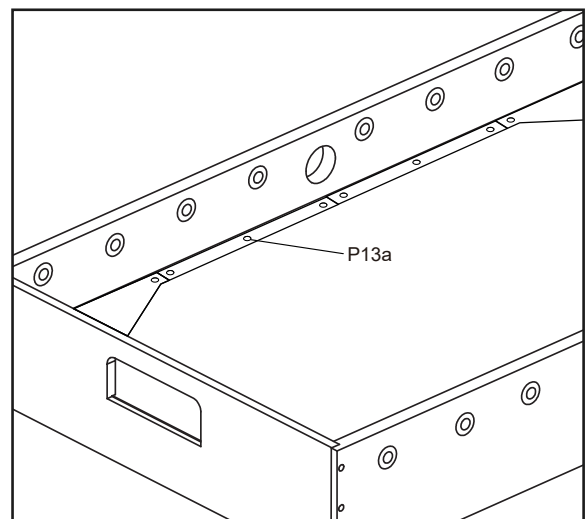


## STEP 11C

Cover the Screw Hole Cap P13a to the screw hole.



## STEP 11D

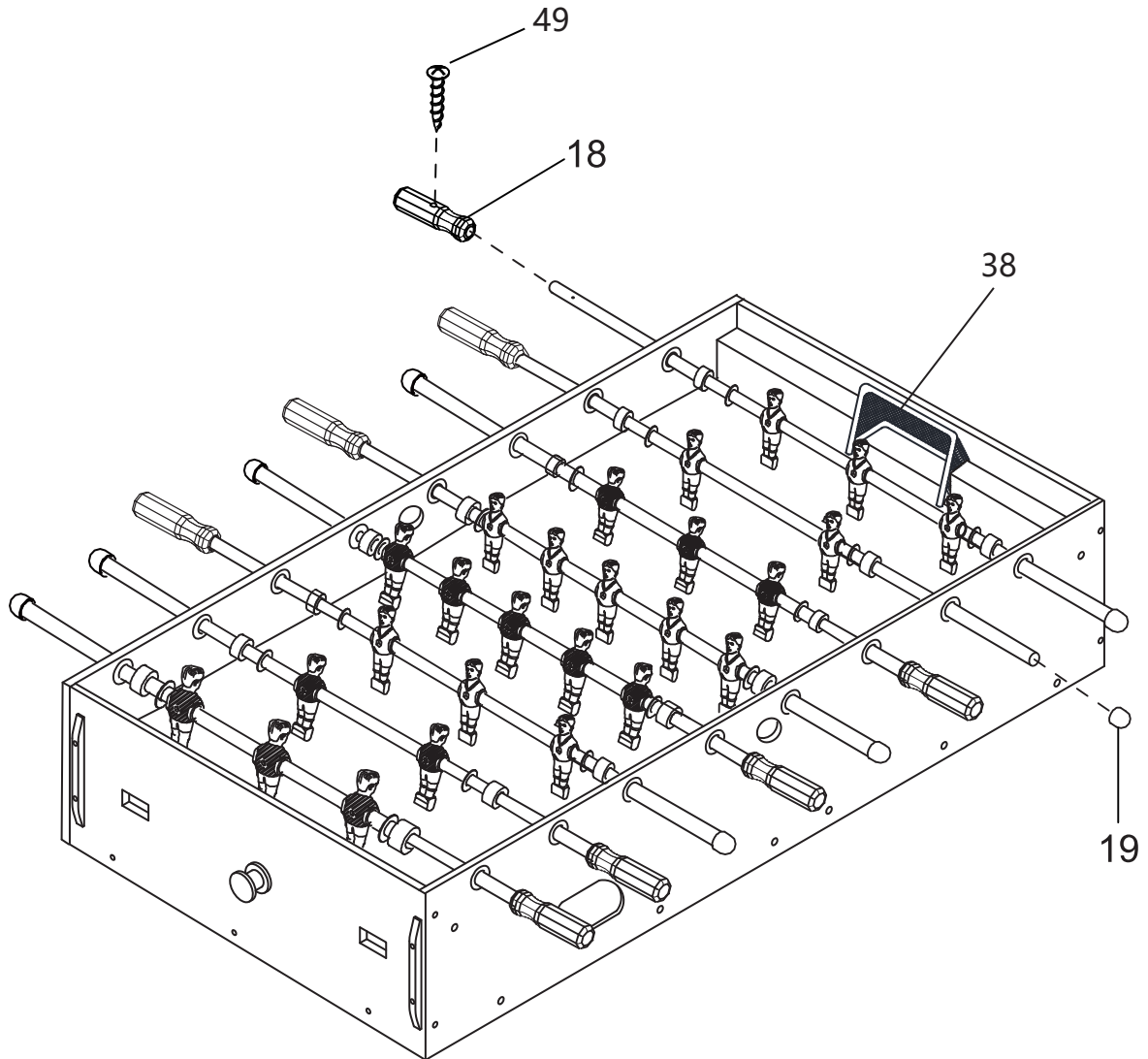




# Assembly Instructions

WARNING: TWO ADULTS ARE NEEDED TO ASSEMBLE THE SOCCER TABLE

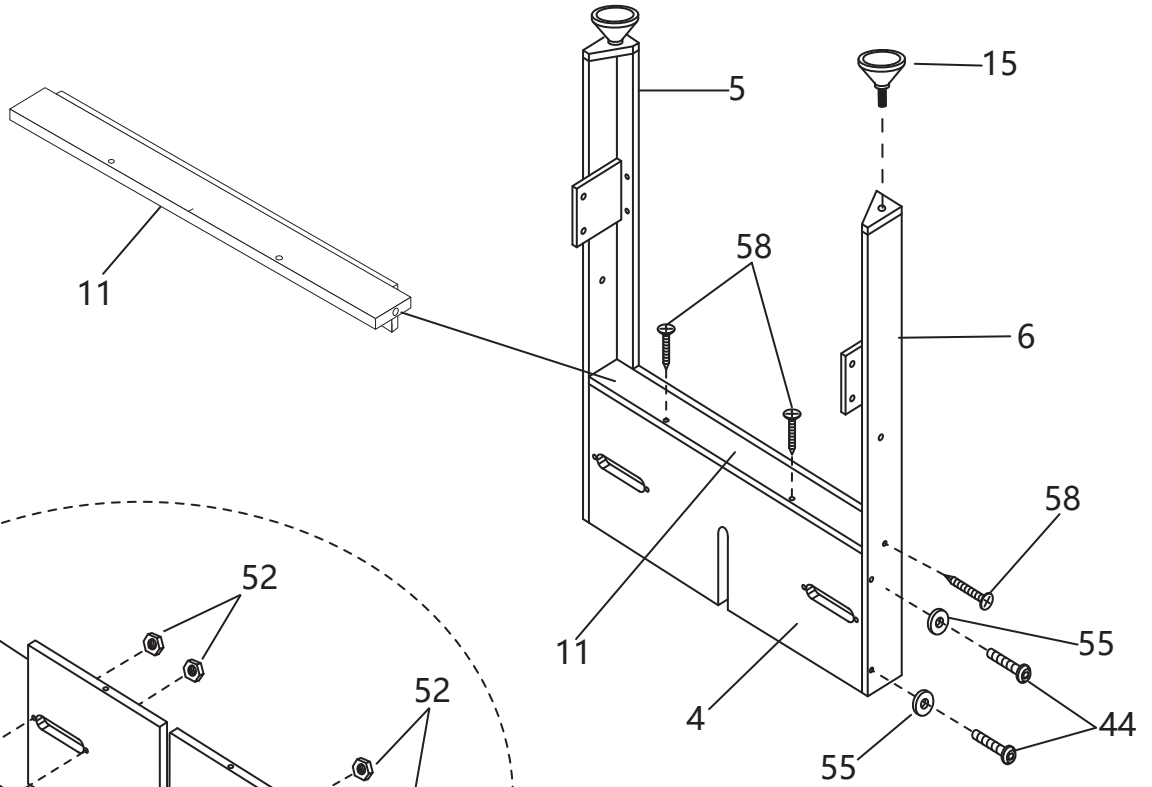
## STEP 12



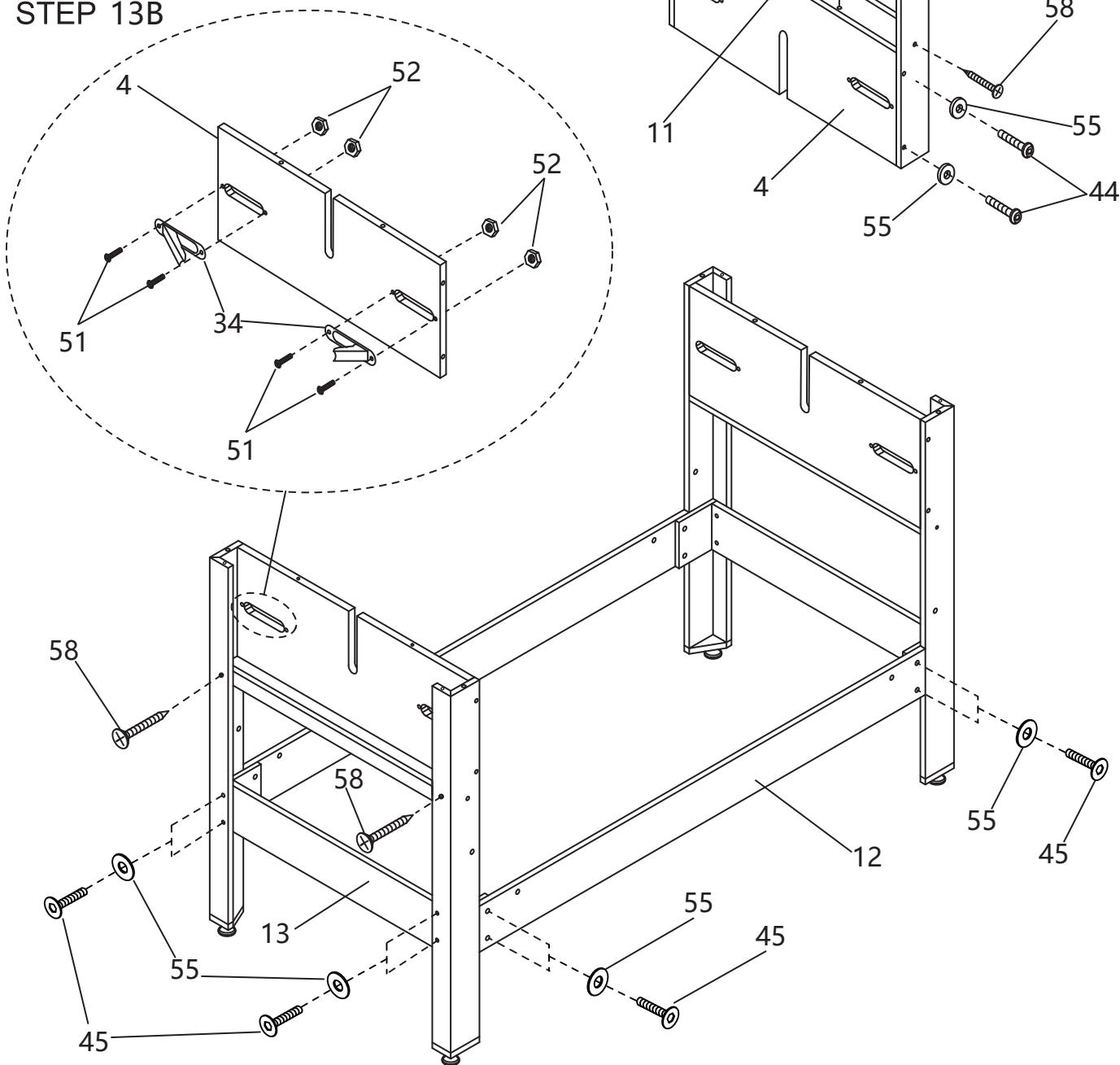
# Assembly Instructions

WARNING: TWO ADULTS ARE NEEDED TO ASSEMBLE THE SOCCER TABLE

## STEP 13A



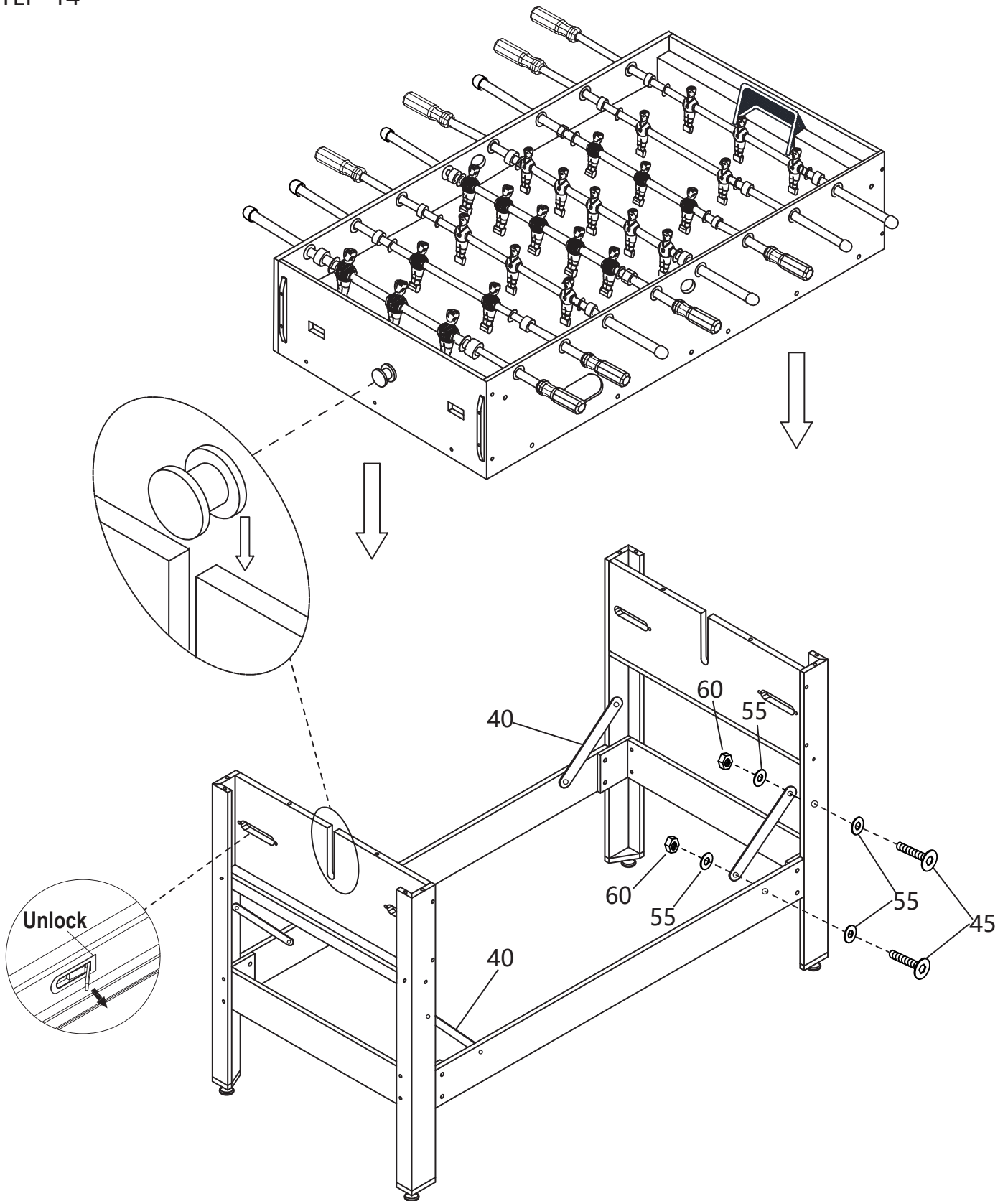
## STEP 13B



# Assembly Instructions

WARNING: TWO ADULTS ARE NEEDED TO ASSEMBLE THE SOCCER TABLE

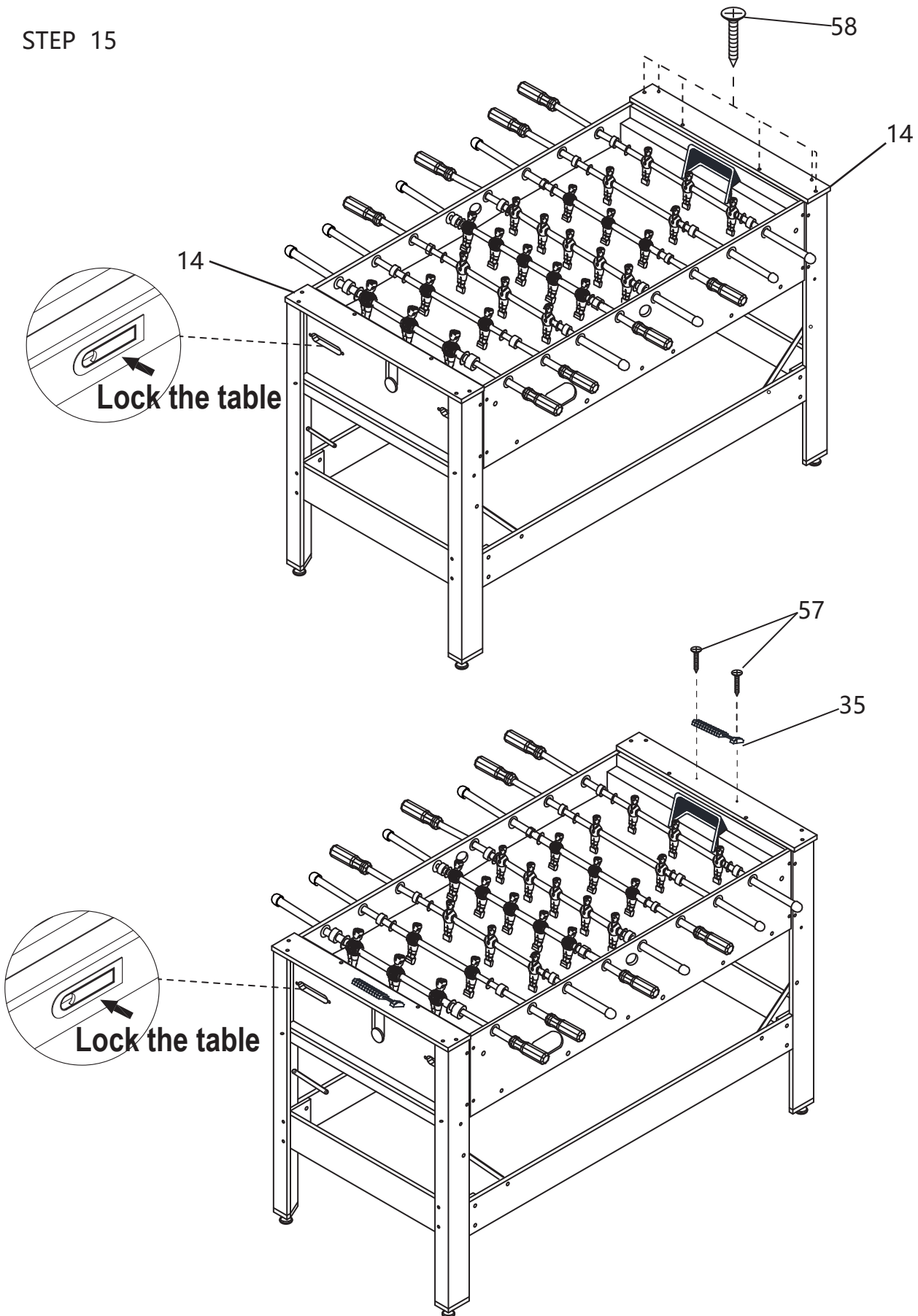
## STEP 14



# Assembly Instructions

**WARNING: TWO ADULTS ARE NEEDED TO ASSEMBLE THE SOCCER TABLE**

STEP 15



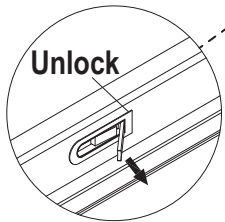
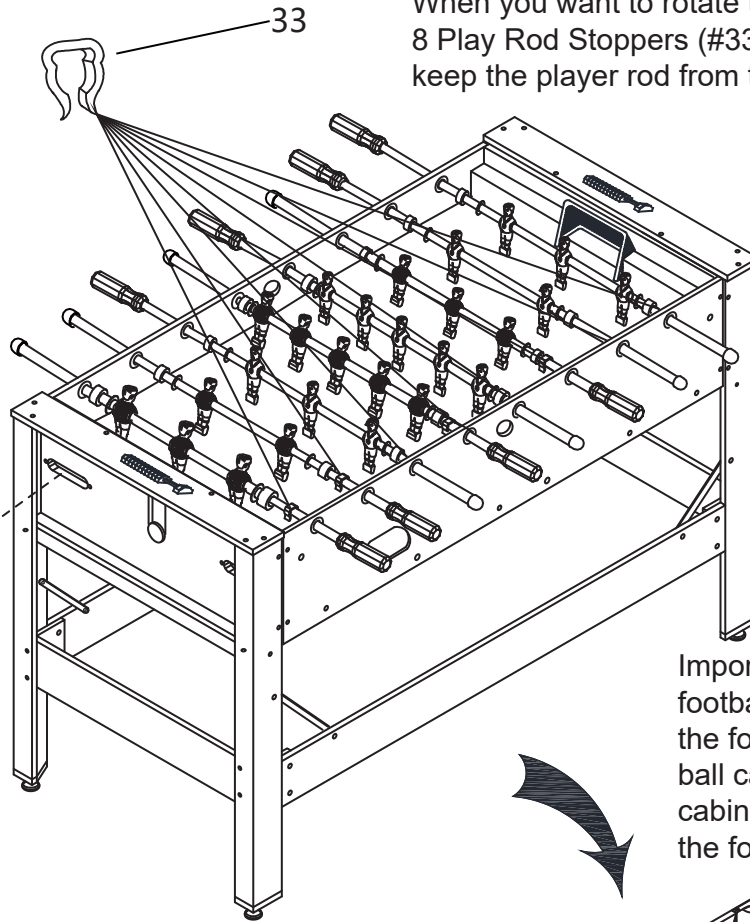
15

# Assembly Instructions

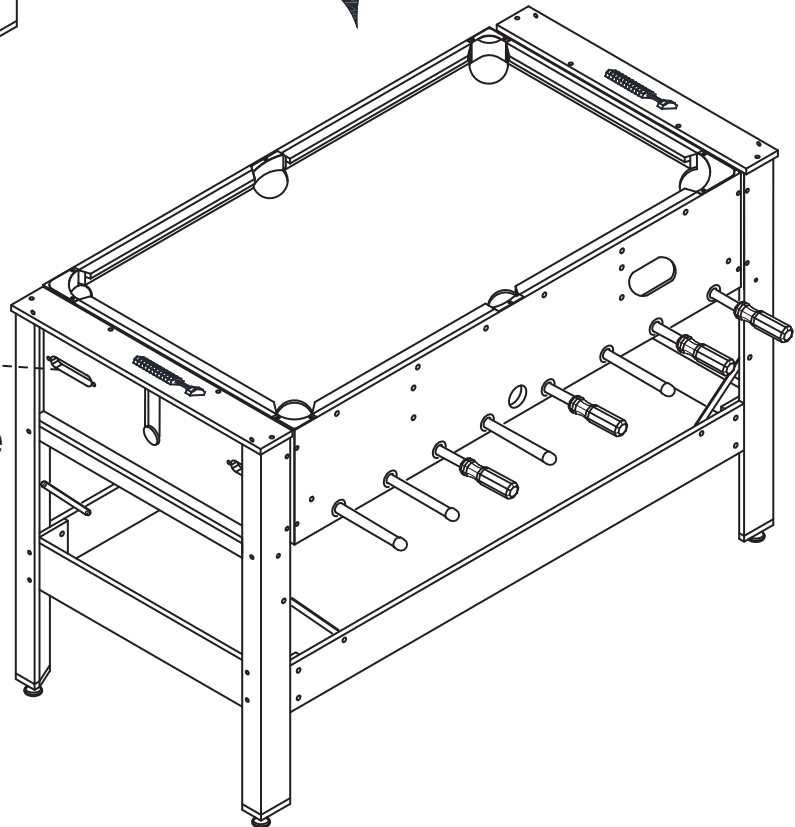
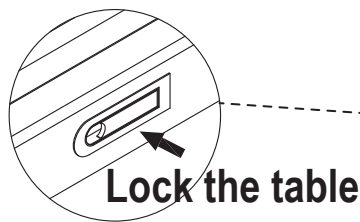
**WARNING: TWO ADULTS ARE NEEDED TO ASSEMBLE THE SOCCER TABLE**

## STEP 16

When you want to rotate the table, please attach the 8 Play Rod Stoppers (#33) to each play rod first to keep the player rod from the moving.



Important! Before rotating the table from football table to the billiard table for play, the football needs to be taken out of the ball catcher on the side of the table cabinet ( Ball return box); otherwise, the foosball will fall into the table cabinet.



Turning or repositioning this table requires extreme caution due to its weight and size. Always use at least two (2) or more able-bodied individuals when moving or rotating the table. Failure to do so may result in personal injury or damage to the product. The manufacturer and seller are not responsible for any injuries or damages that occur from improper handling, moving, or assembly.

This table is heavy and should only be moved or turned by responsible adults. Children should never attempt to lift, turn, or reposition the table, as this may result in serious injury or damage to the product.