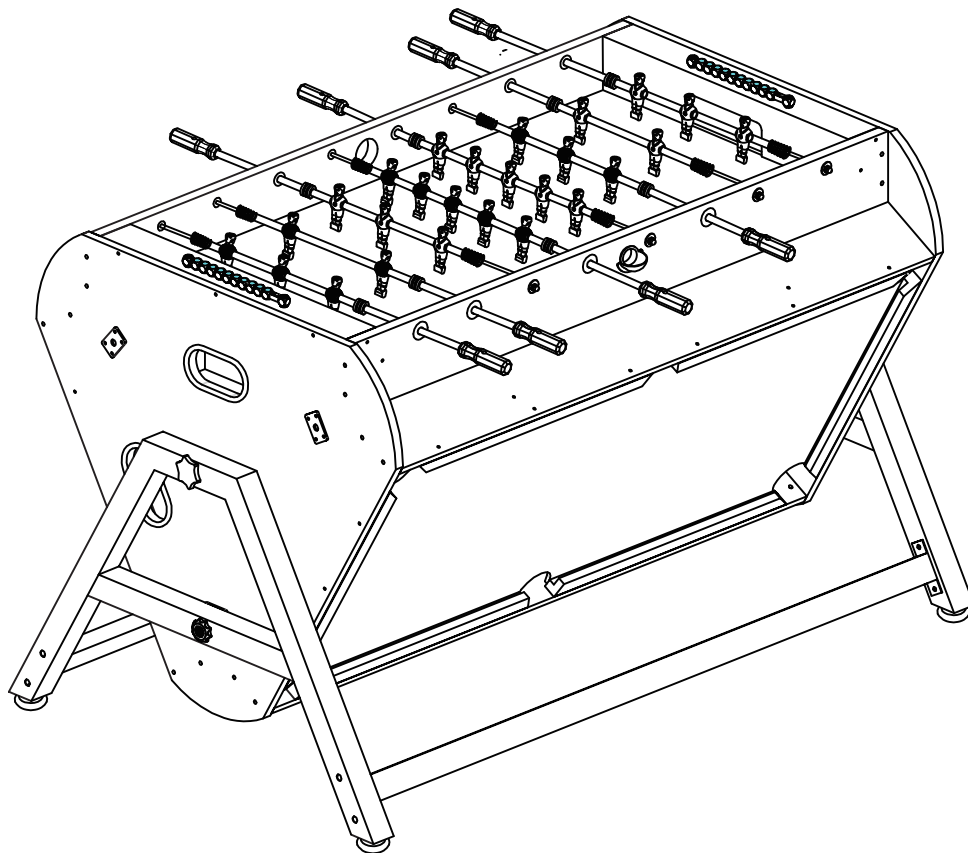




KICK Triplex 58"

(Brown/Black)

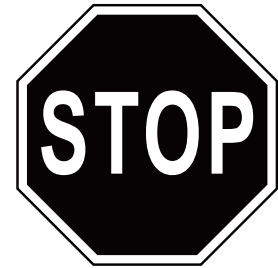
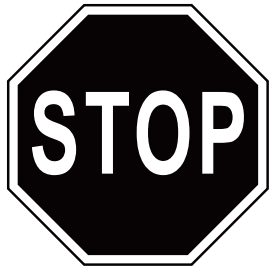
3-IN-1 MULTI-GAME SWIVEL FOOSBALL TABLE
ASSEMBLY INSTRUCTIONS



FY586

Assembly Instructions

WARNING: TWO ADULTS ARE NEEDED TO ASSEMBLE THE SOCCER TABLE



Official Website of KICK Foosball Tables



IF YOUR TABLE HAS DAMAGES, MISSING PARTS, OR YOU ARE NOT **100%** SATISFIED PLEASE CONTACT KICK, NOT THE RESELLER.

← SCAN THIS QR CODE TO CONTACT US IF YOU FACE ANY ISSUES.

FOR THE LATEST INSTRUCTION MANUALS, VIDEOS, TABLE ASSEMBLY INFO, DIFFERENT GOALIE SETUPS, PLAYER TYPES, AND OTHER HELPFUL TIPS - PLEASE VISIT THE LINK BELOW OR SCAN THIS QR CODE →

www.KICKFoosballTables.com/Instructions/



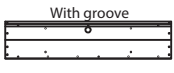
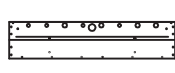
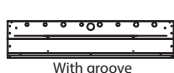
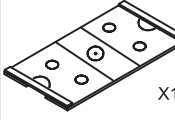
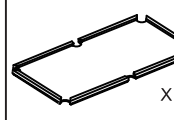
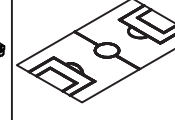


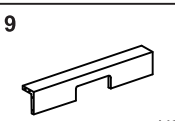
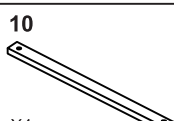
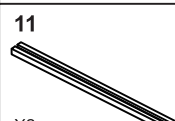
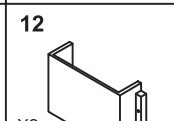
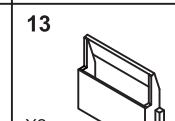

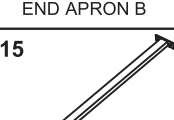





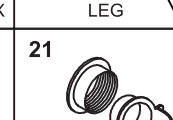

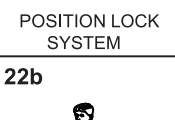

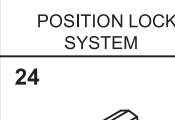
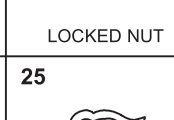

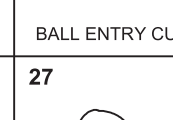
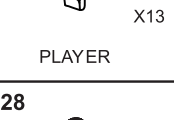

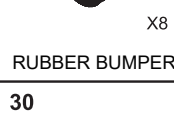


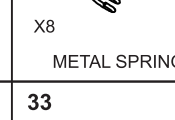


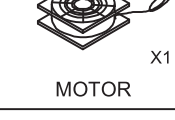




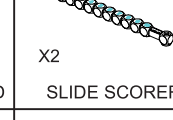

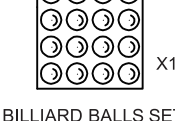





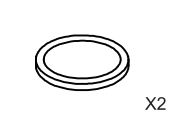
CONTACT INFORMATION:

Email: Support@KICKFoosballTables.com
Website: www.KICKFoosballTables.com
Phone: 1 (866) 844-KICK (5425) or (210) 664-8934

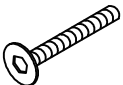

















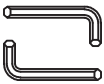



MAILING ADDRESS:

KICK Sports
PO Box 790311
San Antonio, Texas 78279

PARTS LIST

<p>1</p>  <p>With groove X1</p> <p>POOL TABLE / HOCKEY SIDE APRON</p>	<p>2</p>  <p>X1</p> <p>POOL TABLE / SOCCER SIDE APRON</p>	<p>3</p>  <p>With groove X1</p> <p>HOCKEY/SOCCER SIDE APRON</p>	<p>4</p>  <p>X1</p> <p>HOCKEY BOARD</p>	<p>5</p>  <p>X1</p> <p>BILLIARD TABLE</p>	<p>6</p>  <p>X1</p> <p>SOCCER PLAY FIELD</p>	<p>7</p>  <p>X1</p> <p>END APRON A</p>
<p>8</p>  <p>X1</p> <p>END APRON B</p>	<p>9</p>  <p>X2</p> <p>SOCCER END RAIL</p>	<p>10</p>  <p>X4</p> <p>SUPPORT BRACE</p>	<p>11</p>  <p>X2</p> <p>SUPPORT BRACE</p>	<p>12</p>  <p>X2</p> <p>HOCKEY GOAL BOX</p>	<p>13</p>  <p>X2</p> <p>SOCCER GOAL BOX</p>	<p>14</p>  <p>X2</p> <p>LEG</p>
<p>15</p>  <p>X2</p> <p>LEG SUPPORT BRACE</p>	<p>16</p>  <p>X2</p> <p>POSITION LOCK SYSTEM</p>	<p>17</p>  <p>X2</p> <p>SUPPORT ROD</p>	<p>18</p>  <p>X2</p> <p>POSITION LOCK SYSTEM</p>	<p>19</p>  <p>X2</p> <p>LOCKED NUT</p>	<p>20</p>  <p>X6</p> <p>FIXED</p>	<p>21</p>  <p>X2</p> <p>BALL ENTRY CUP</p>
<p>22a</p>  <p>X13</p> <p>PLAYER</p>	<p>22b</p>  <p>X13</p> <p>PLAYER</p>	<p>23</p>  <p>X8</p> <p>RUBBER BUMPER</p>	<p>24</p>  <p>X8</p> <p>ROD HANDLE</p>	<p>25</p>  <p>X8</p> <p>PLAYER ROD STOPPER</p>	<p>26</p>  <p>X8</p> <p>METAL SPRING</p>	<p>27</p>  <p>X4</p> <p>STOP RING</p>
<p>28</p>  <p>X4</p> <p>TRIANGLE BOARD</p>	<p>29</p>  <p>X1</p> <p>MOTOR</p>	<p>30</p>  <p>X4</p> <p>3 PLAYER ROD</p>	<p>31</p>  <p>X2</p> <p>2 PLAYER ROD</p>	<p>32</p>  <p>X2</p> <p>5 PLAYER ROD</p>	<p>33</p>  <p>X8</p> <p>SOLID PLAYER ROD</p>	<p>34</p>  <p>X2</p> <p>SLIDE SCORER</p>
<p>35</p>  <p>X4</p> <p>LEG LEVELER</p>	<p>36</p>  <p>X1</p> <p>BILLIARD BALLS SET</p>	<p>37</p>  <p>X1</p> <p>TRIANGLE</p>	<p>38</p>  <p>X2</p> <p>CUE STICK</p>	<p>39</p>  <p>X1</p> <p>BRUSH</p>	<p>40</p>  <p>X2</p> <p>CHALK</p>	<p>41</p>  <p>X2</p> <p>STRIKER</p>
<p>42</p>  <p>X2</p> <p>PUCK</p>	<p>43a</p>  <p>X2</p> <p>SOCCER BALL</p>	<p>43b</p>  <p>X2</p> <p>SOCCER BALL</p>	<p>43c</p>  <p>X2</p> <p>SOCCER BALL</p>	<p>44</p>  <p>X4</p> <p>PLASTIC CORNER POCKET LID</p>	<p>45</p>  <p>X2</p> <p>PLASTIC SIDE POCKET LID</p>	<p>66</p>  <p>X2</p> <p>SLIDE SCORER</p>
<p>68</p>  <p>X8</p> <p>ROD WASHER</p>						

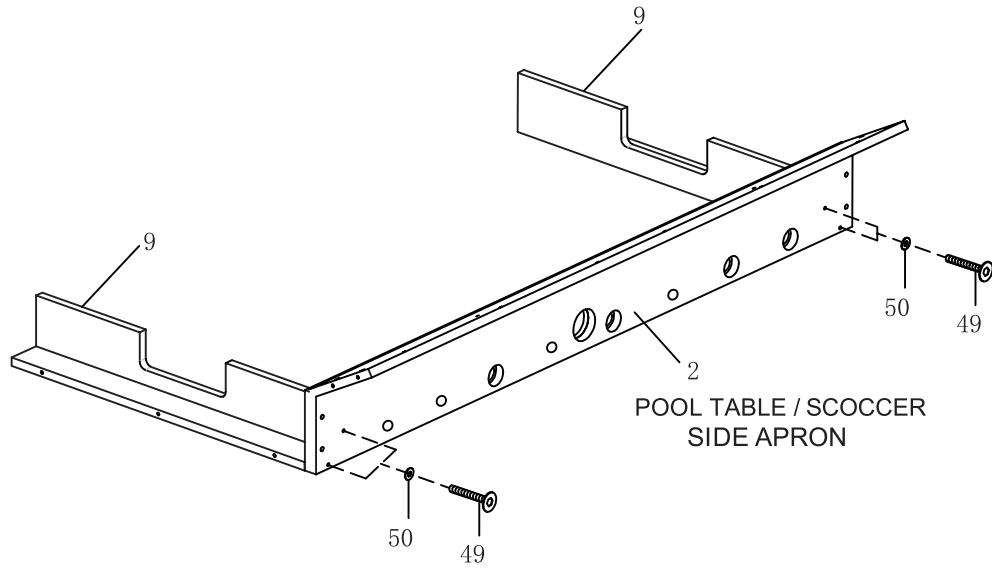
HARDWARE

46 X8  1/4" x 2-1/4" BOLT	47 X8  1/4" WASHER	48 X4  1/2" WASHER	49 X32  3/16" x 1-3/4" BOLT	50 X32  3/16" WASHER	51 X2  5/16" WASHER	52 X4  NUT
53 X4  1/8" x 2-1/4" SCREWS	54 X22  1/8" x 1-3/4" SCREWS	55 X28  1/8" x 1-1/4" SCREWS	56 X16  1/8" x 1" SCREWS	57 X36  1/8" x 5/8" SCREWS	58 X8  3/16" x 3/4" BOLT	59 X52  3/16" x 1/4" BOLT
60 X4  1/8" x 3/8" BOLT	61 X8  CAP NUT	62 X8  FENDER WASHER	63 X8  INNER NUT	64 X2  ALLEN KEY	65 X1  ALLEN WRENCH	67 X2  (Pre-installed) METAL SLEEVE
69 X8  3/16" x 3/8" BOLT						

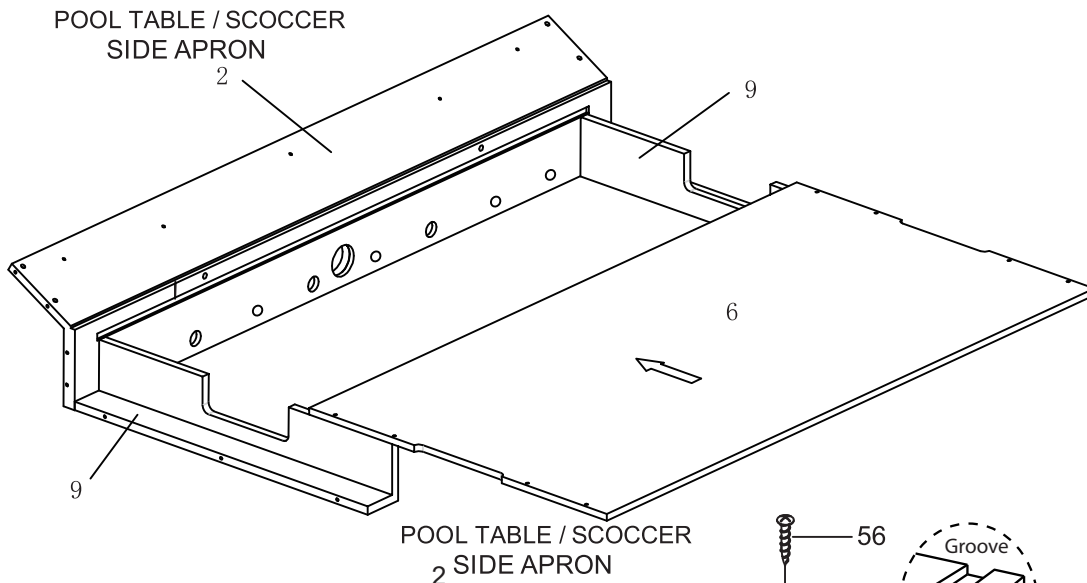
Assembly Instructions

WARNING: TWO ADULTS ARE NEEDED TO ASSEMBLE THE SOCCER TABLE

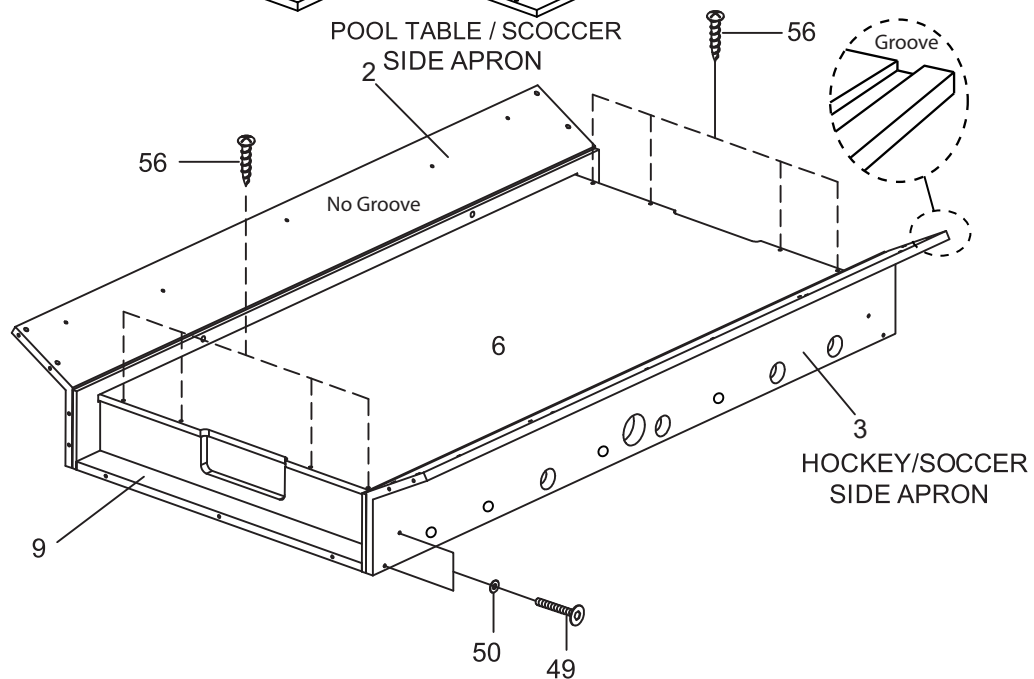
STEP 1



STEP 2



STEP 3



Assembly Instructions

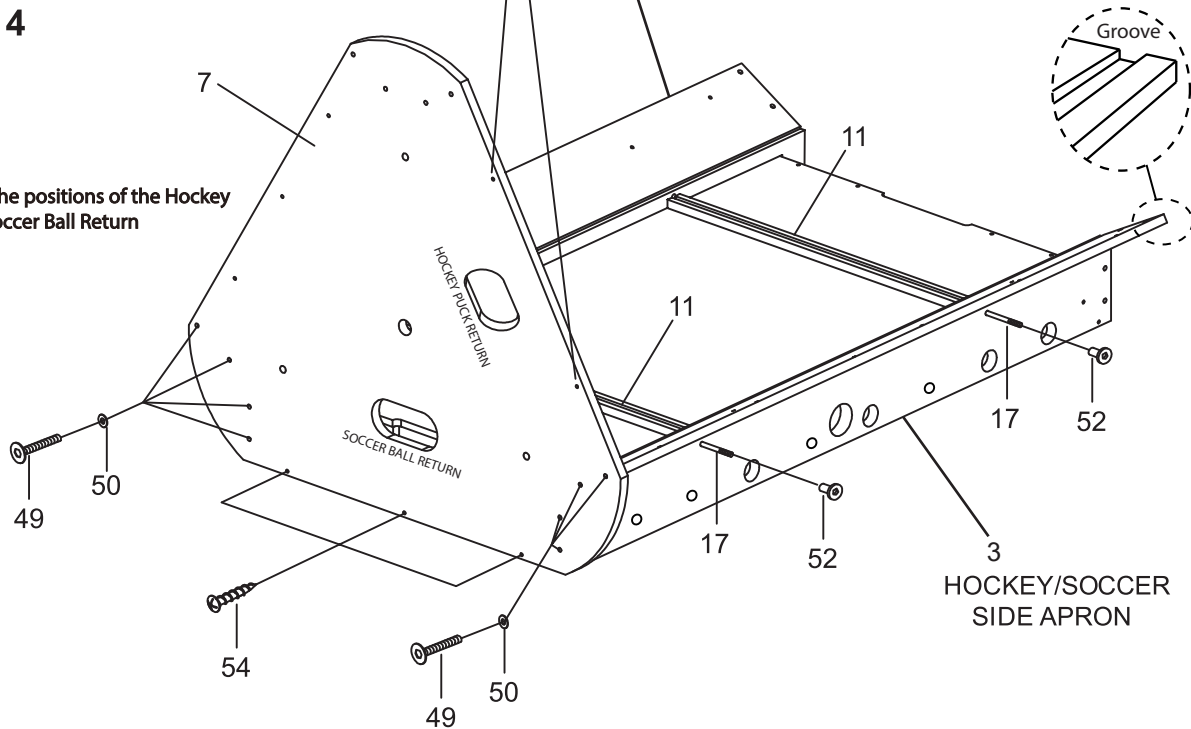
WARNING: TWO ADULTS ARE NEEDED TO ASSEMBLE THE SOCCER TABLE

It is important: Please pay attention to the direction of Apron 7. In this direction, there are two holes in this area.

POOL TABLE / SOCCER SIDE APRON

STEP 4

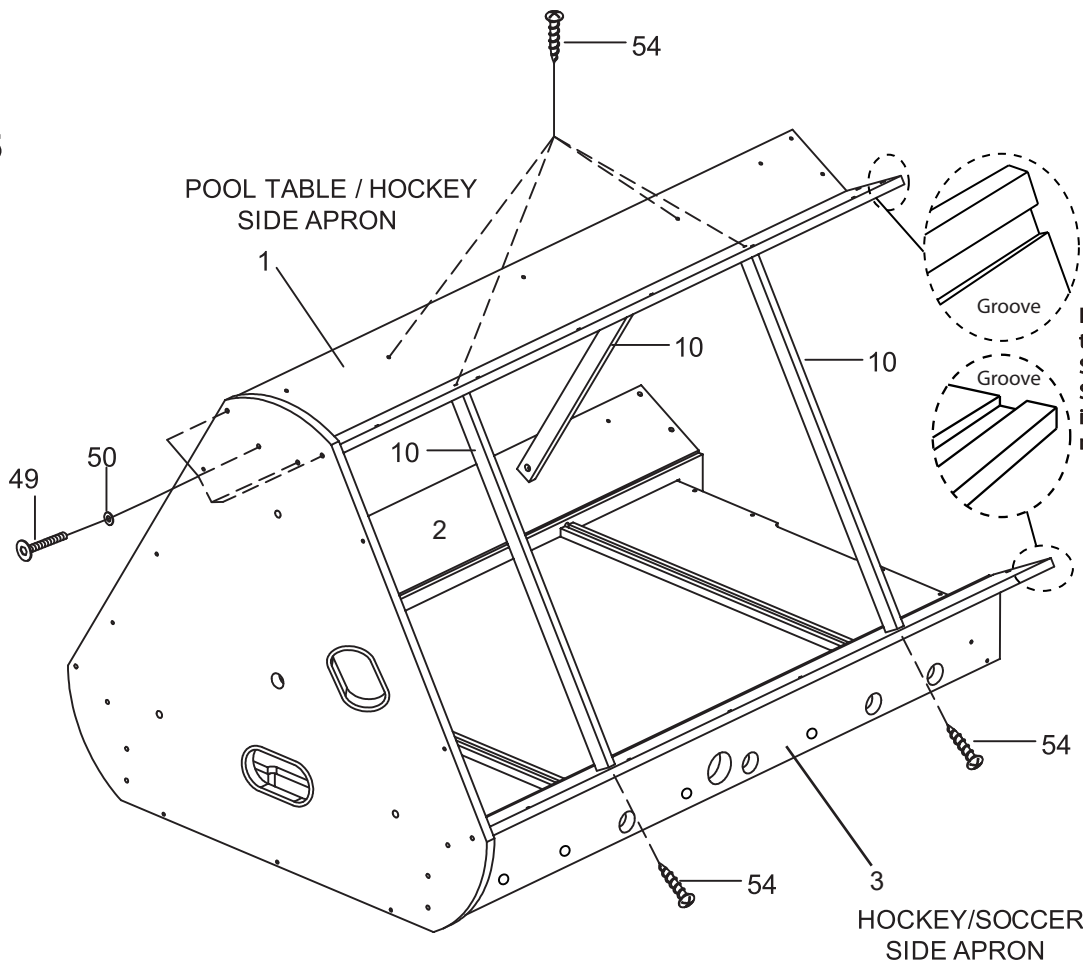
Note: Please note the positions of the Hockey Puck Return and Soccer Ball Return



STEP 5

POOL TABLE / HOCKEY SIDE APRON

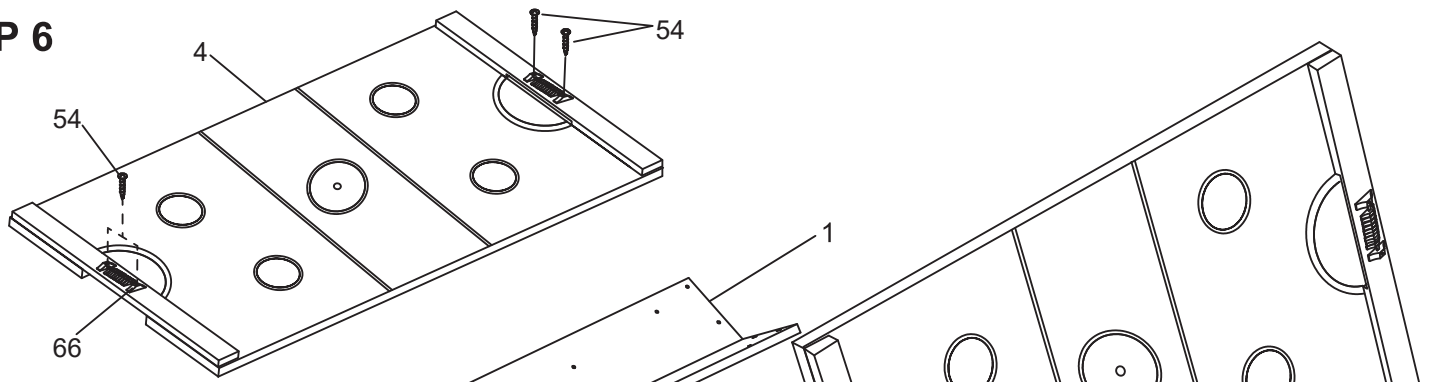
Important Note: There are grooves these positions of Pool Table/Hockey Side Apron (1) and Hockey/Soccer Side Apron (3), the grooves are for installing the Hockey Board (4) in the next step!



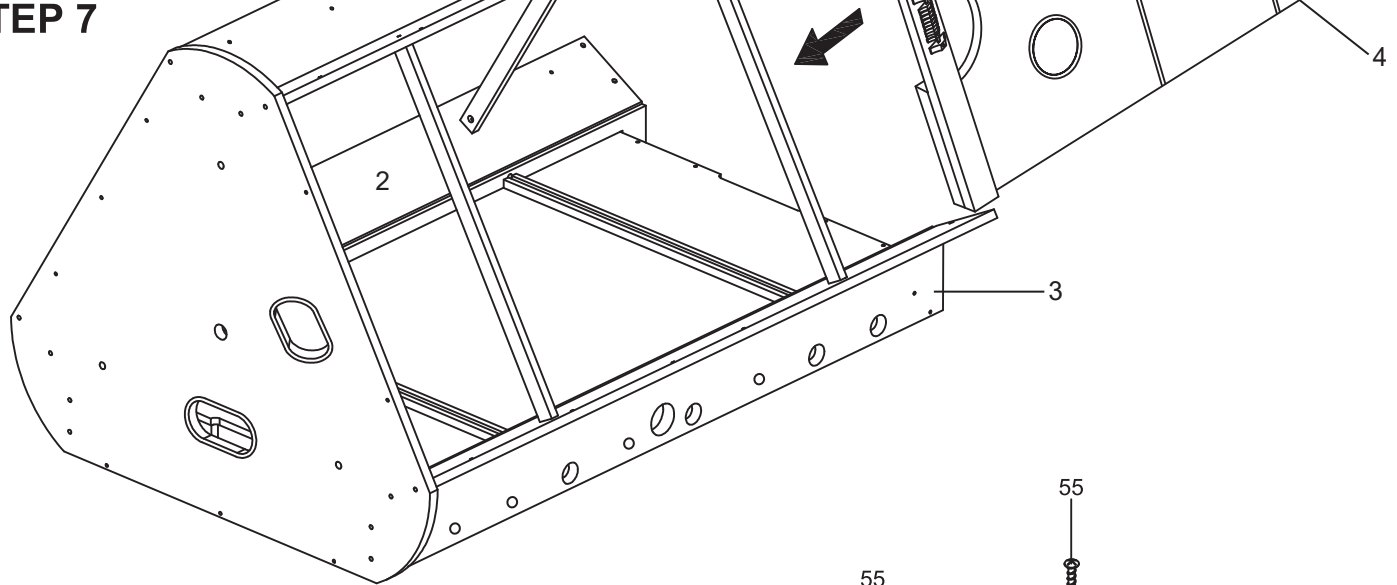
Assembly Instructions

WARNING: TWO ADULTS ARE NEEDED TO ASSEMBLE THE SOCCER TABLE

STEP 6



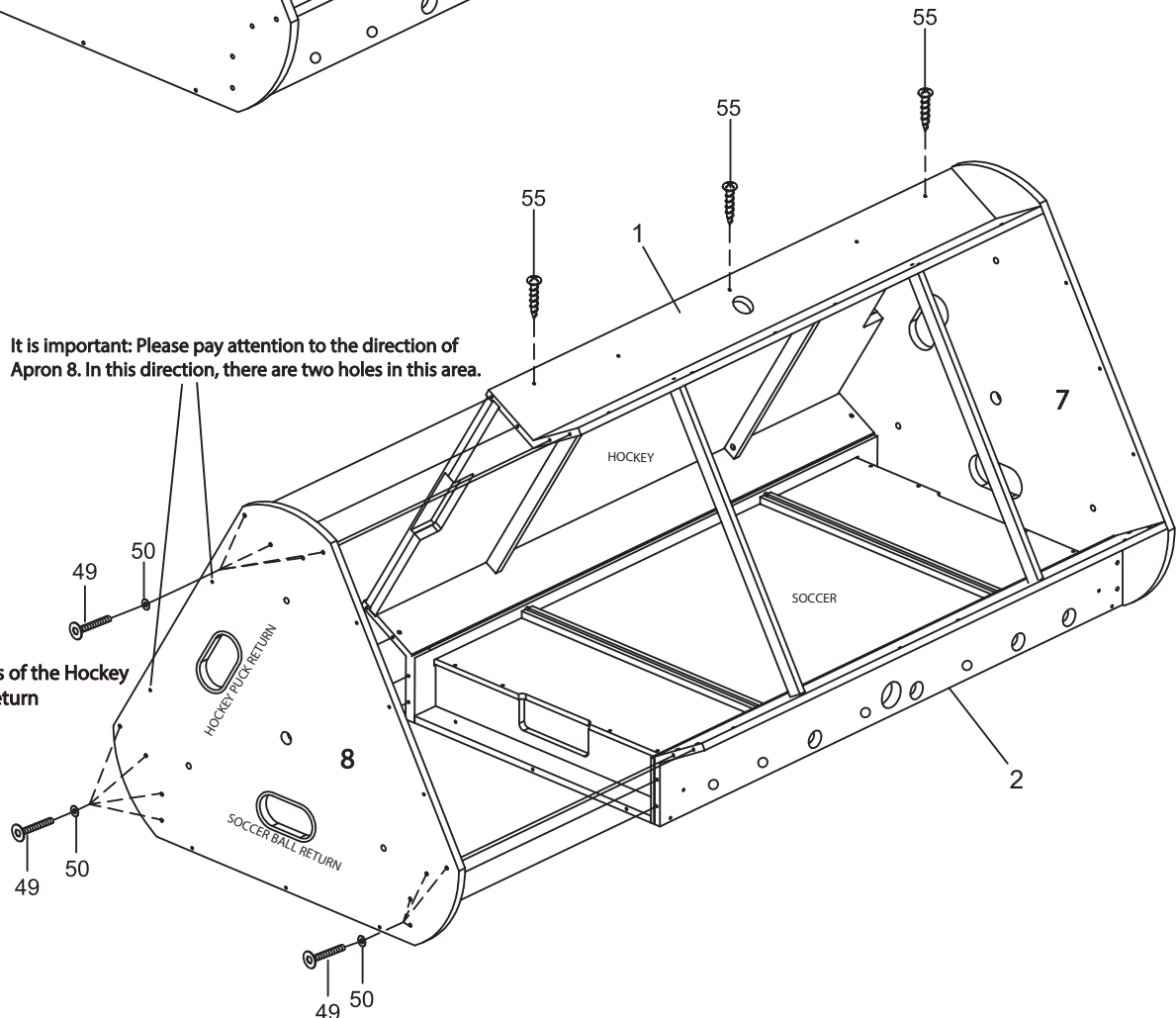
STEP 7



STEP 8

It is important: Please pay attention to the direction of Apron 8. In this direction, there are two holes in this area.

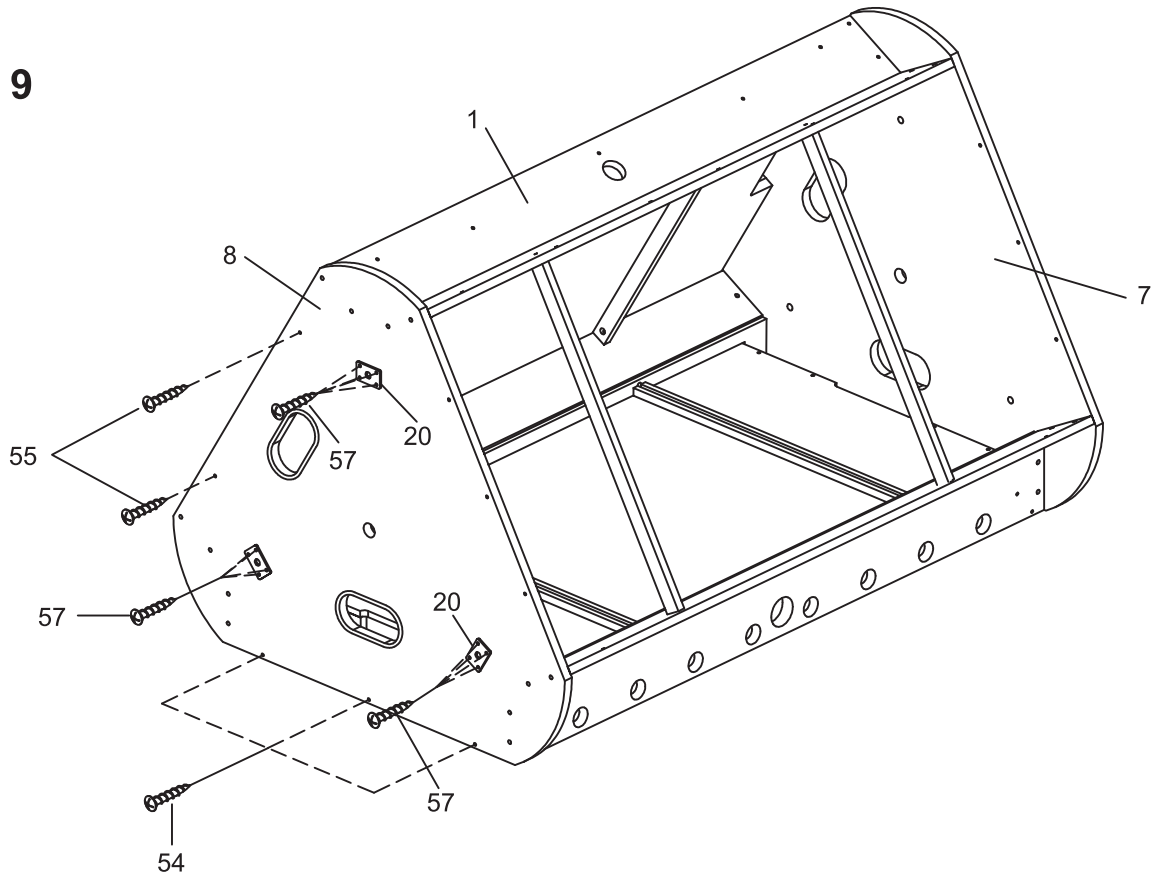
Note: Please note the positions of the Hockey Puck Return and Soccer Ball Return



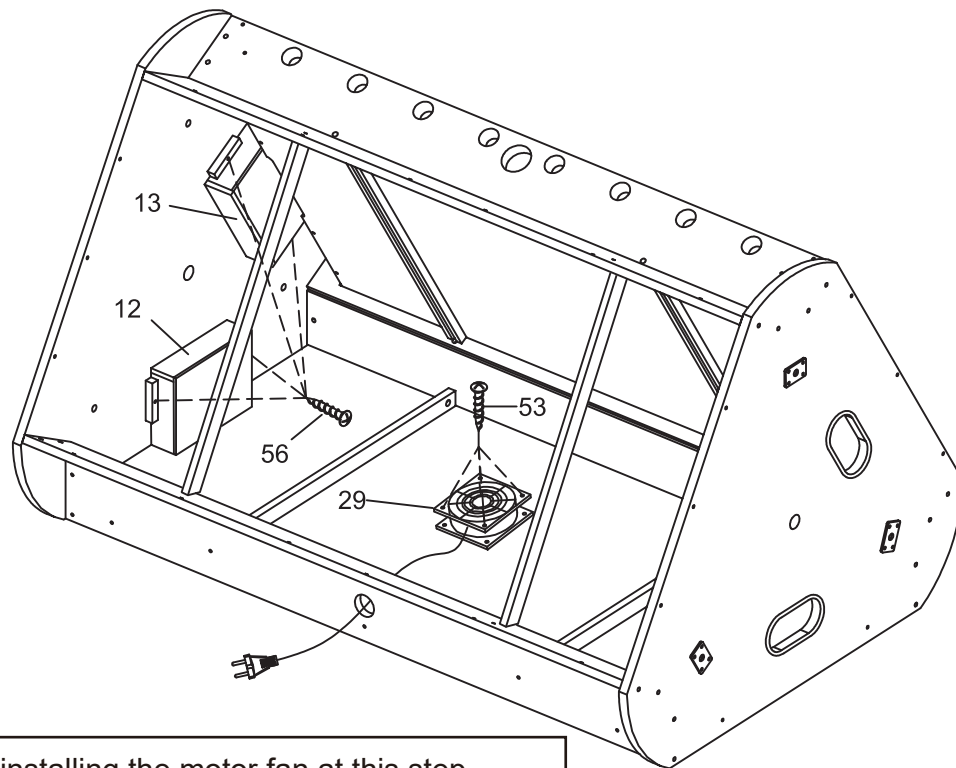
Assembly Instructions

WARNING: TWO ADULTS ARE NEEDED TO ASSEMBLE THE SOCCER TABLE

STEP 9



STEP 10

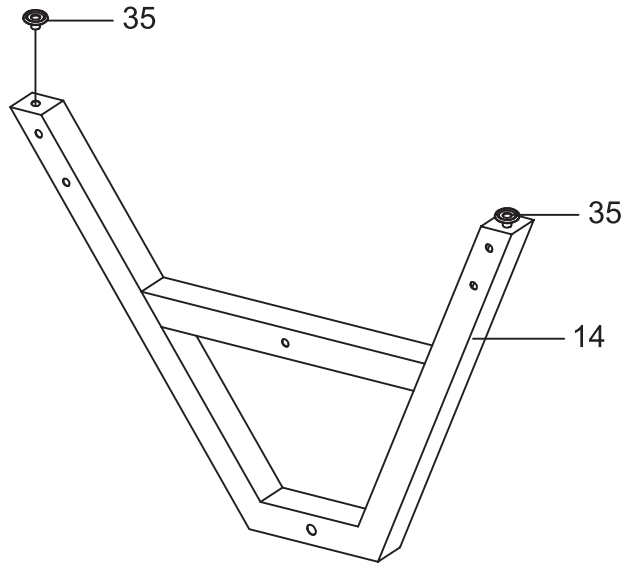


Please note that when installing the motor fan at this step, the side of the motor with the colored label is facing downwards.

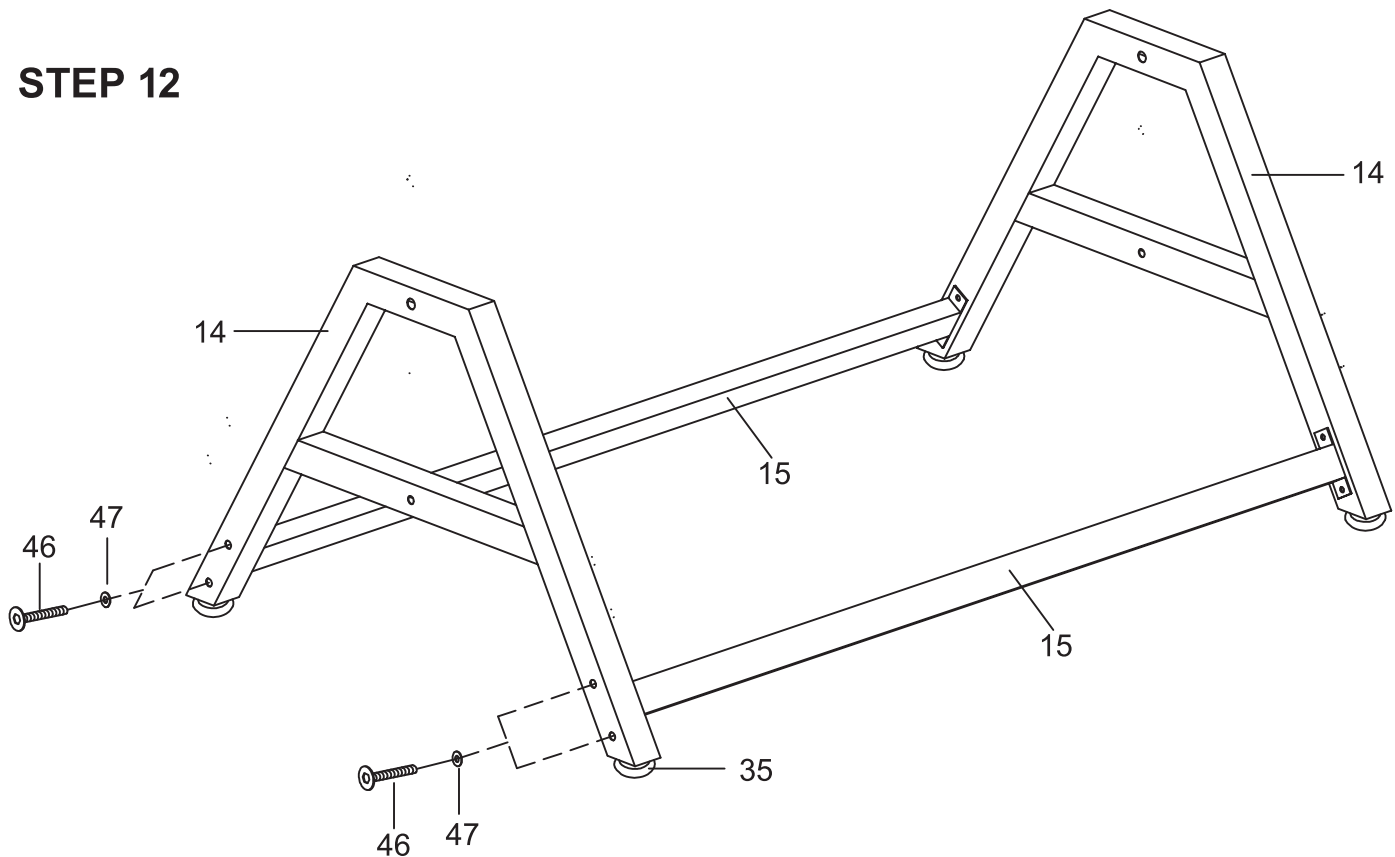
Assembly Instructions

WARNING: TWO ADULTS ARE NEEDED TO ASSEMBLE THE SOCCER TABLE

STEP 11



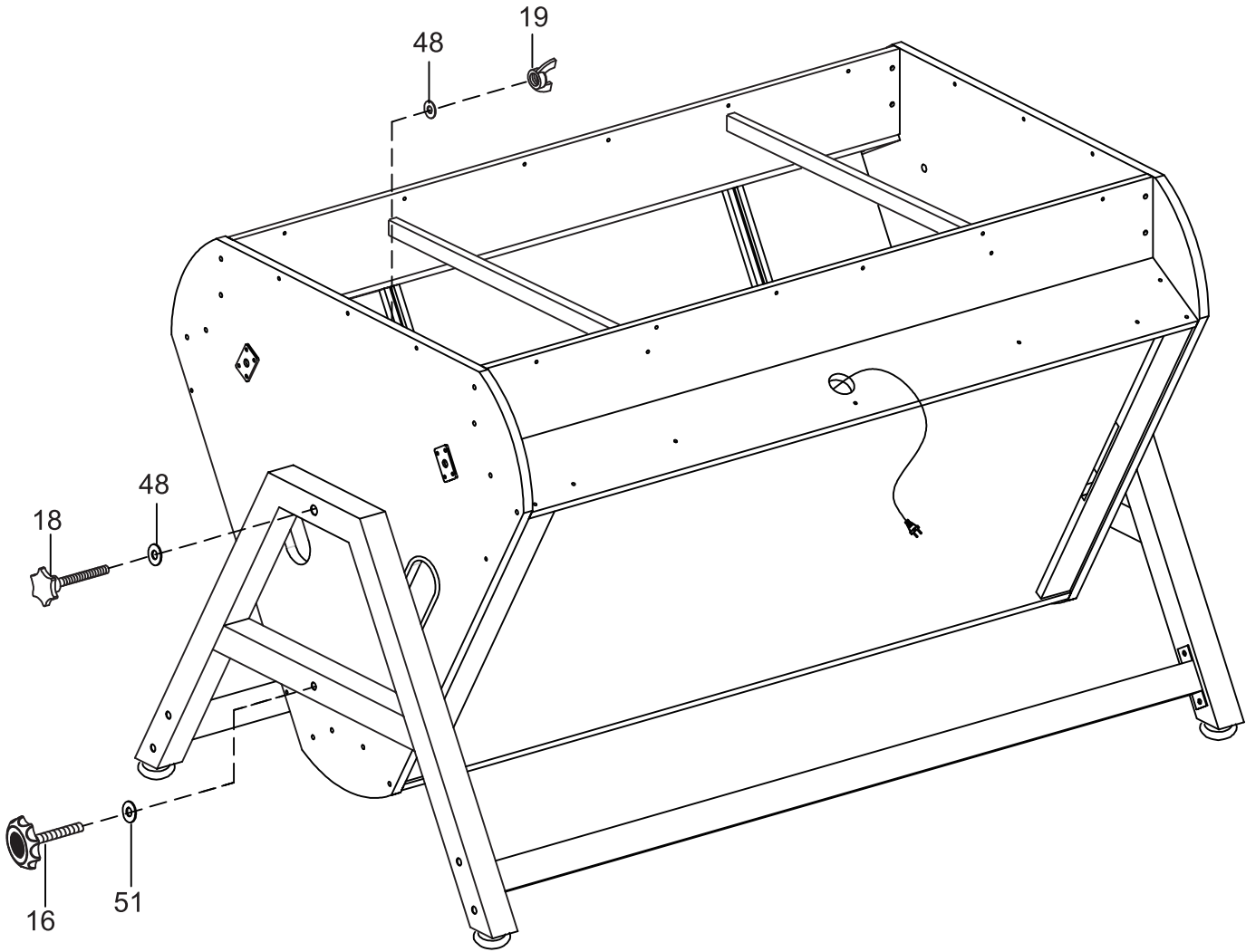
STEP 12



Assembly Instructions

WARNING: TWO ADULTS ARE NEEDED TO ASSEMBLE THE SOCCER TABLE

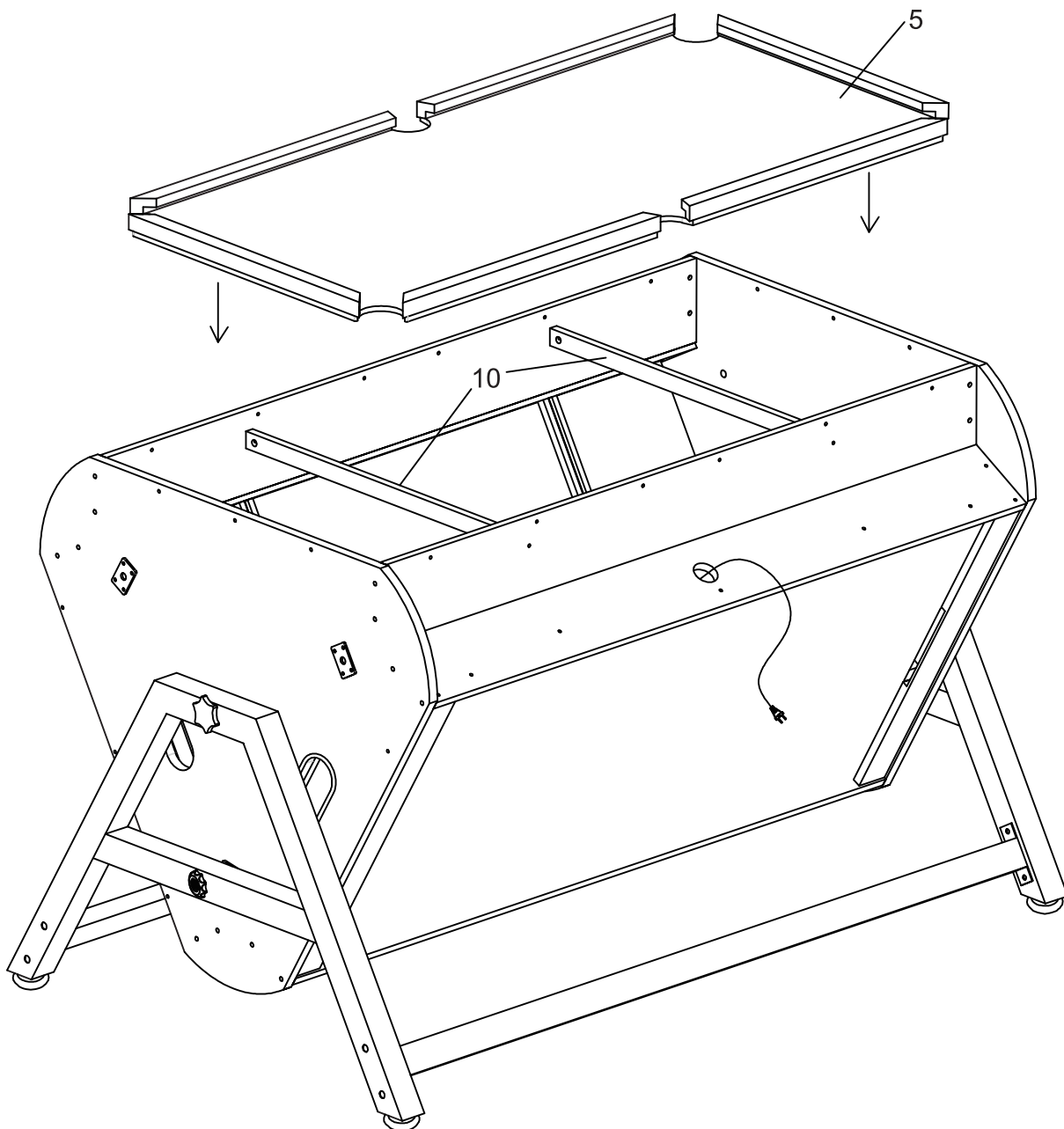
STEP 13



Assembly Instructions

WARNING: TWO ADULTS ARE NEEDED TO ASSEMBLE THE SOCCER TABLE

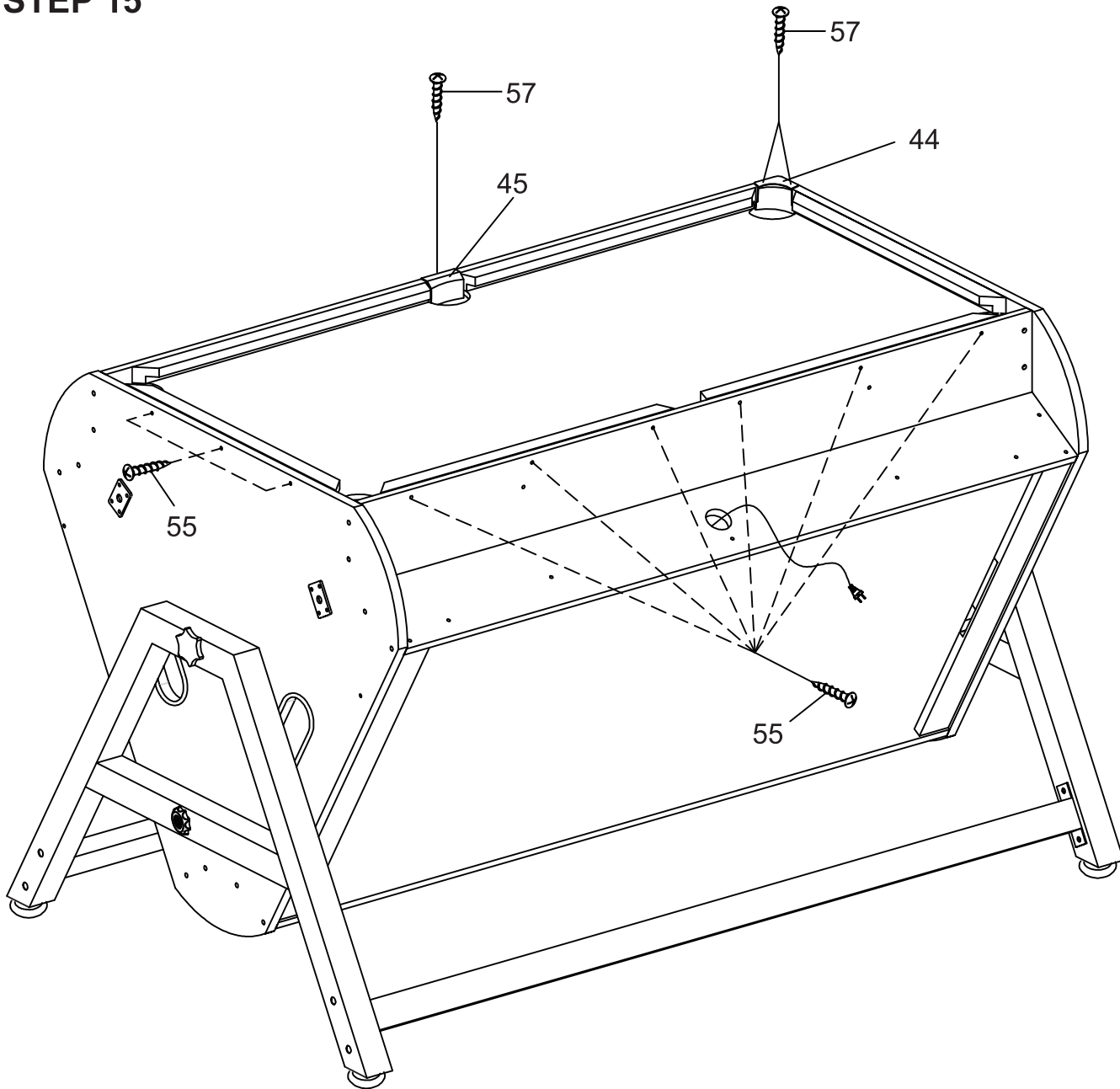
STEP 14



Assembly Instructions

WARNING: TWO ADULTS ARE NEEDED TO ASSEMBLE THE SOCCER TABLE

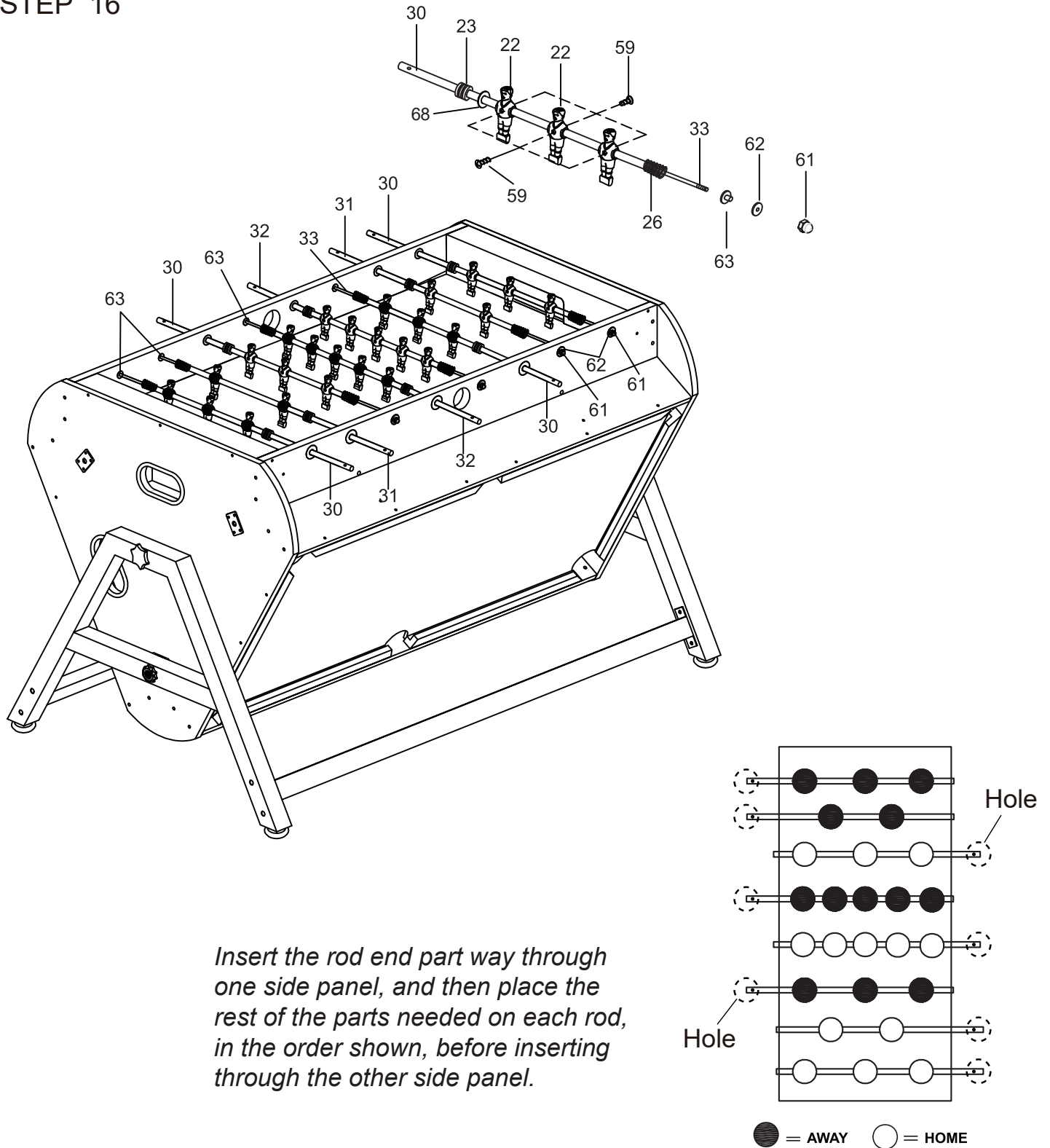
STEP 15



Assembly Instructions

WARNING: TWO ADULTS ARE NEEDED TO ASSEMBLE THE SOCCER TABLE

STEP 16



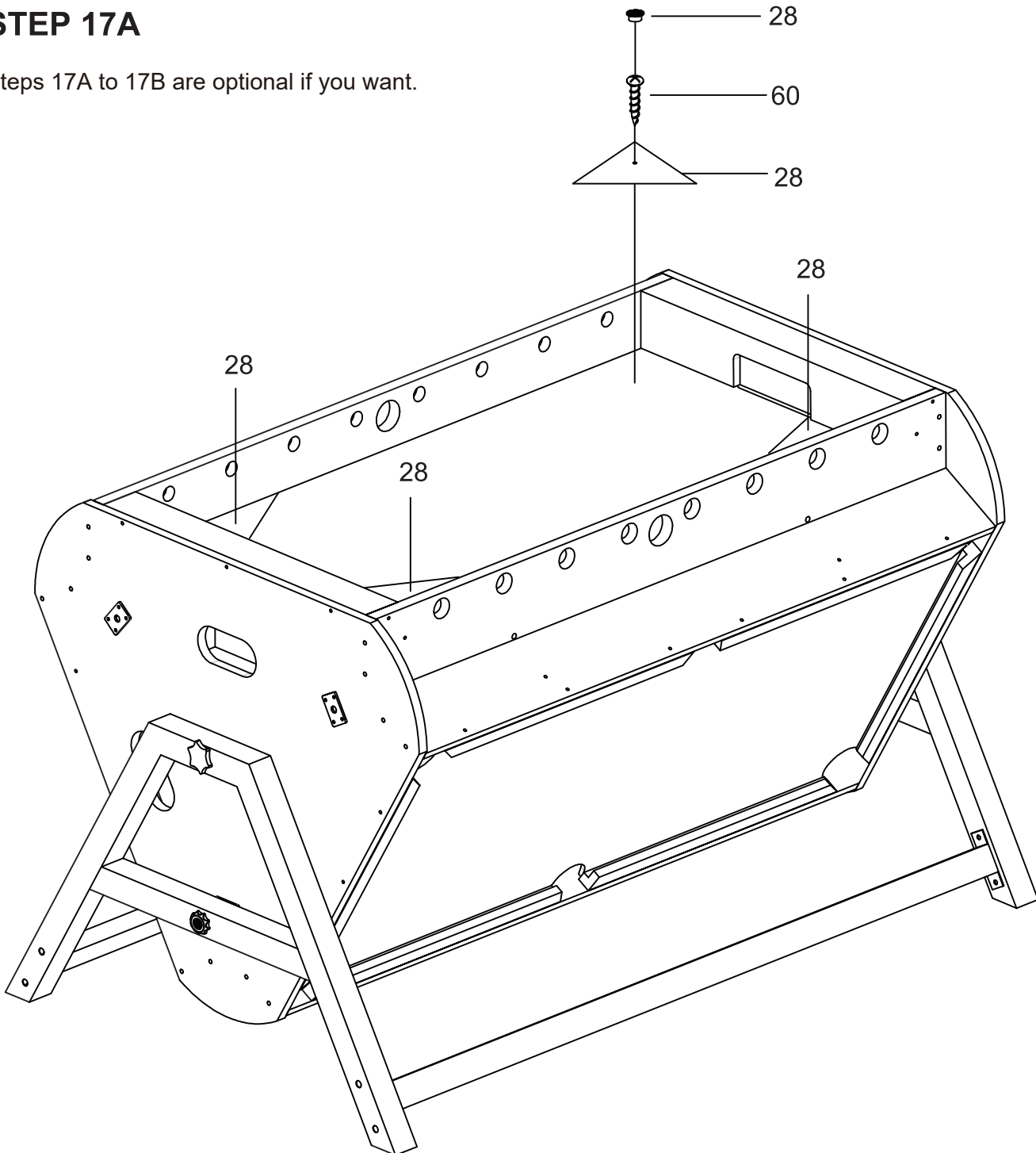
Insert the rod end part way through one side panel, and then place the rest of the parts needed on each rod, in the order shown, before inserting through the other side panel.

Assembly Instructions

WARNING: TWO ADULTS ARE NEEDED TO ASSEMBLE THE SOCCER TABLE

STEP 17A

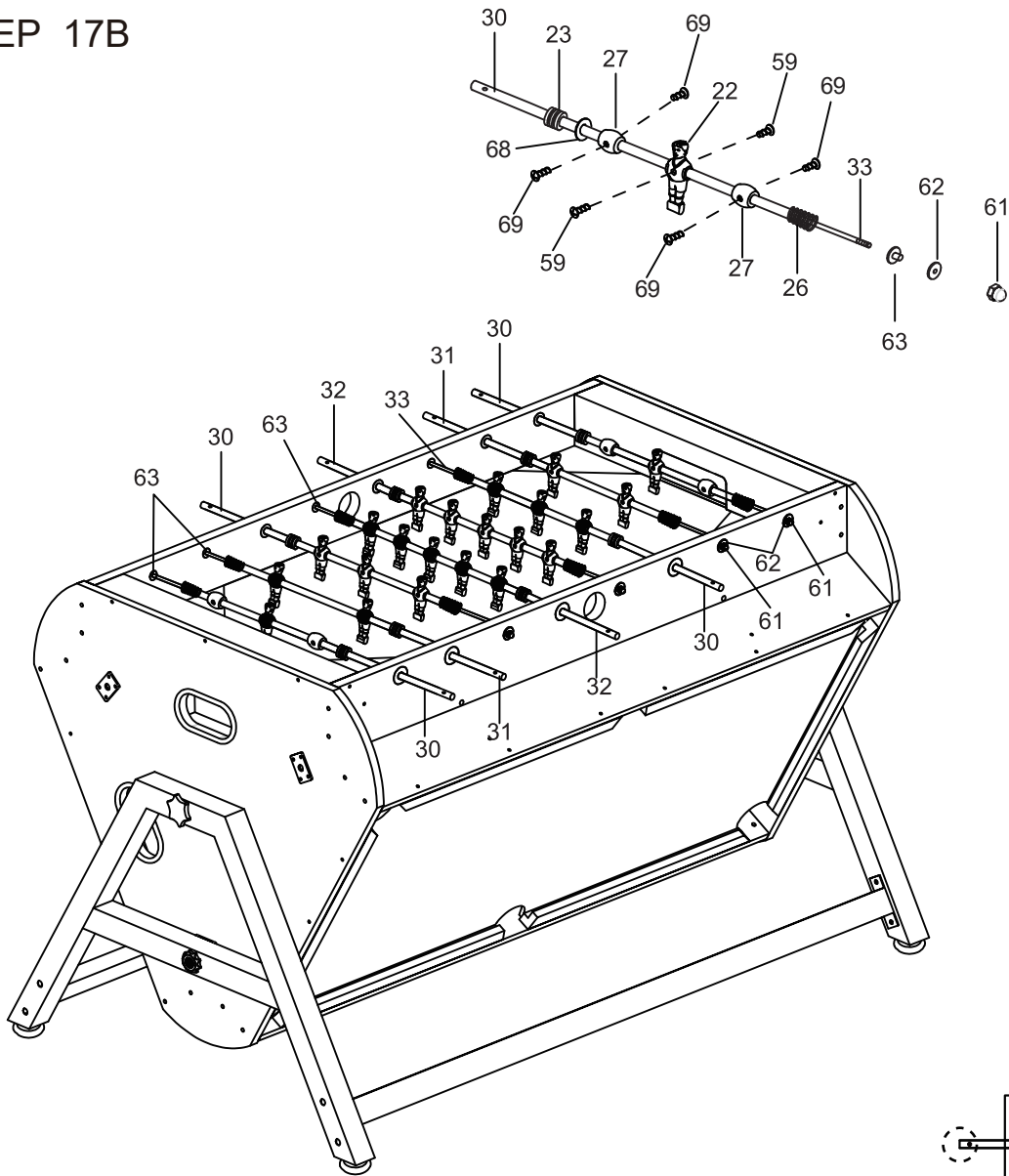
Steps 17A to 17B are optional if you want.



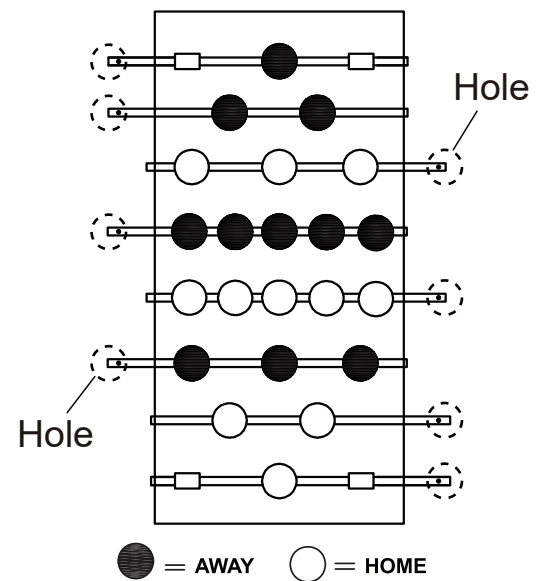
Assembly Instructions

WARNING: TWO ADULTS ARE NEEDED TO ASSEMBLE THE SOCCER TABLE

STEP 17B



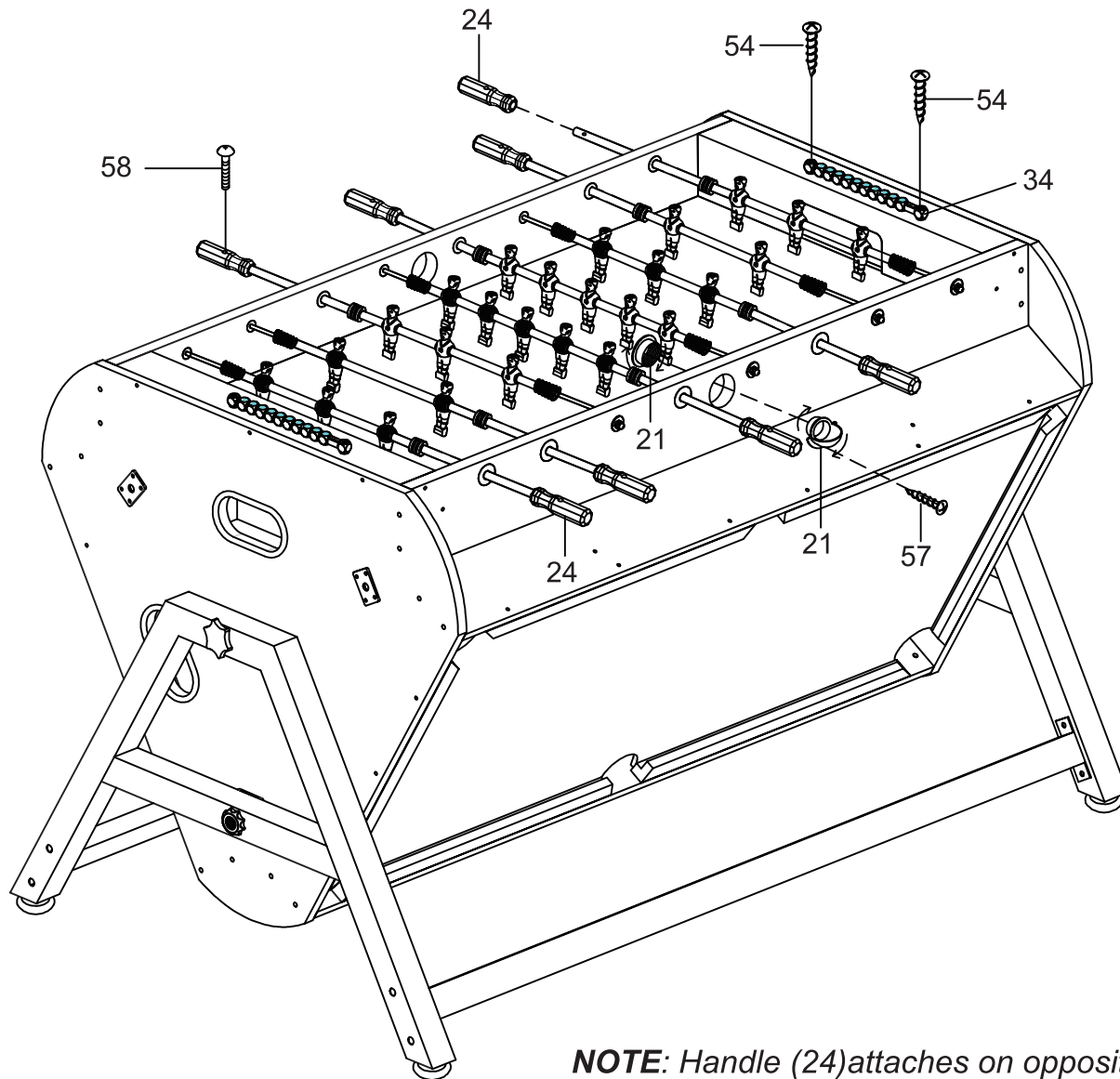
Insert the rod end part way through one side panel, and then place the rest of the parts needed on each rod, in the order shown, before inserting through the other side panel.



Assembly Instructions

WARNING: TWO ADULTS ARE NEEDED TO ASSEMBLE THE SOCCER TABLE

STEP 18

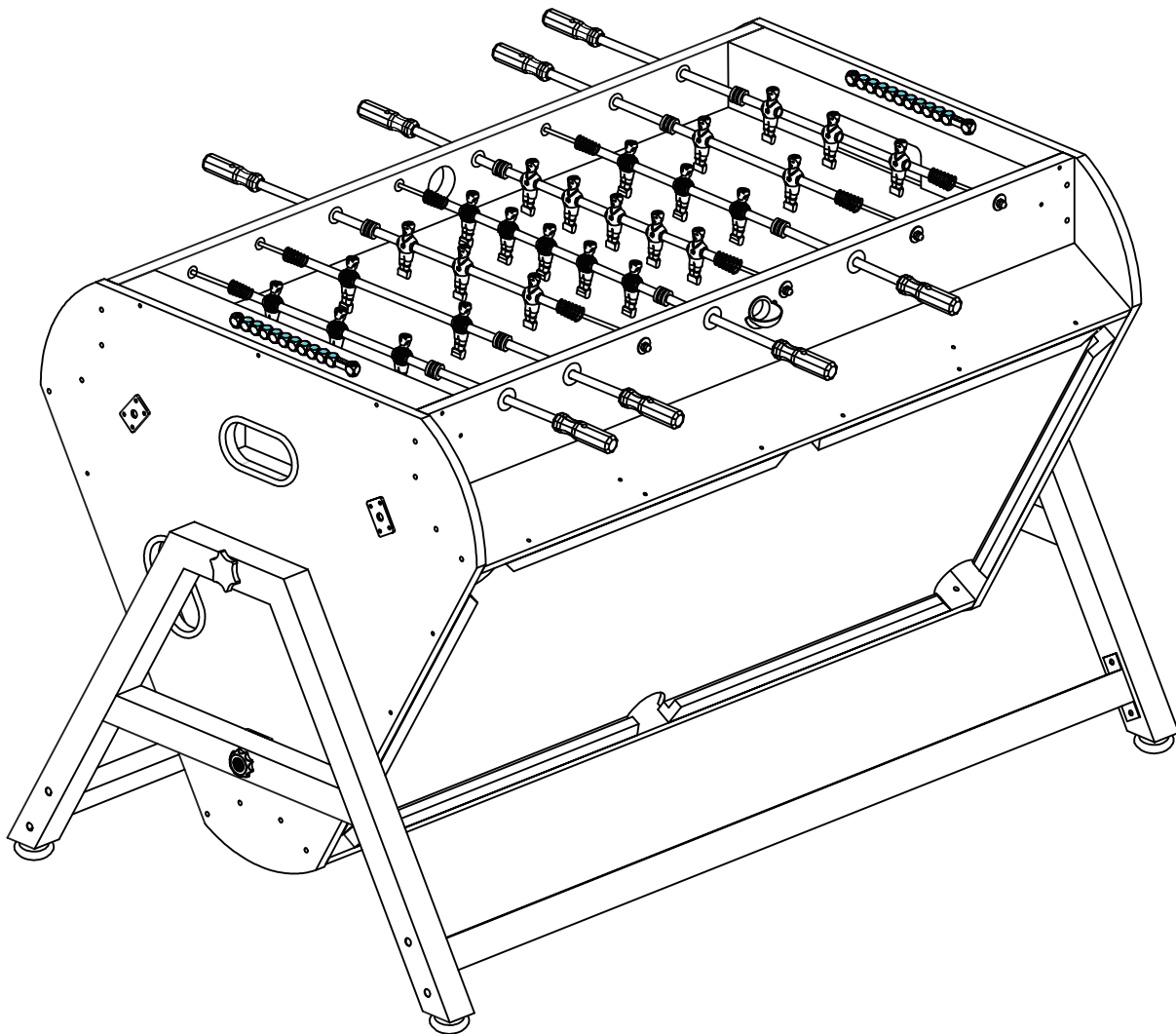


NOTE: Handle (24) attaches on opposite end. Each team should **face the opposite goal and all be the same color.** See diagram above for rod and player positions

Assembly Instructions

WARNING: TWO ADULTS ARE NEEDED TO ASSEMBLE THE SOCCER TABLE

STEP 19



NOTE: Once table is completely assembled and placed in desired location, use level (not included) to adjust leg levelers so table is level in both directions.

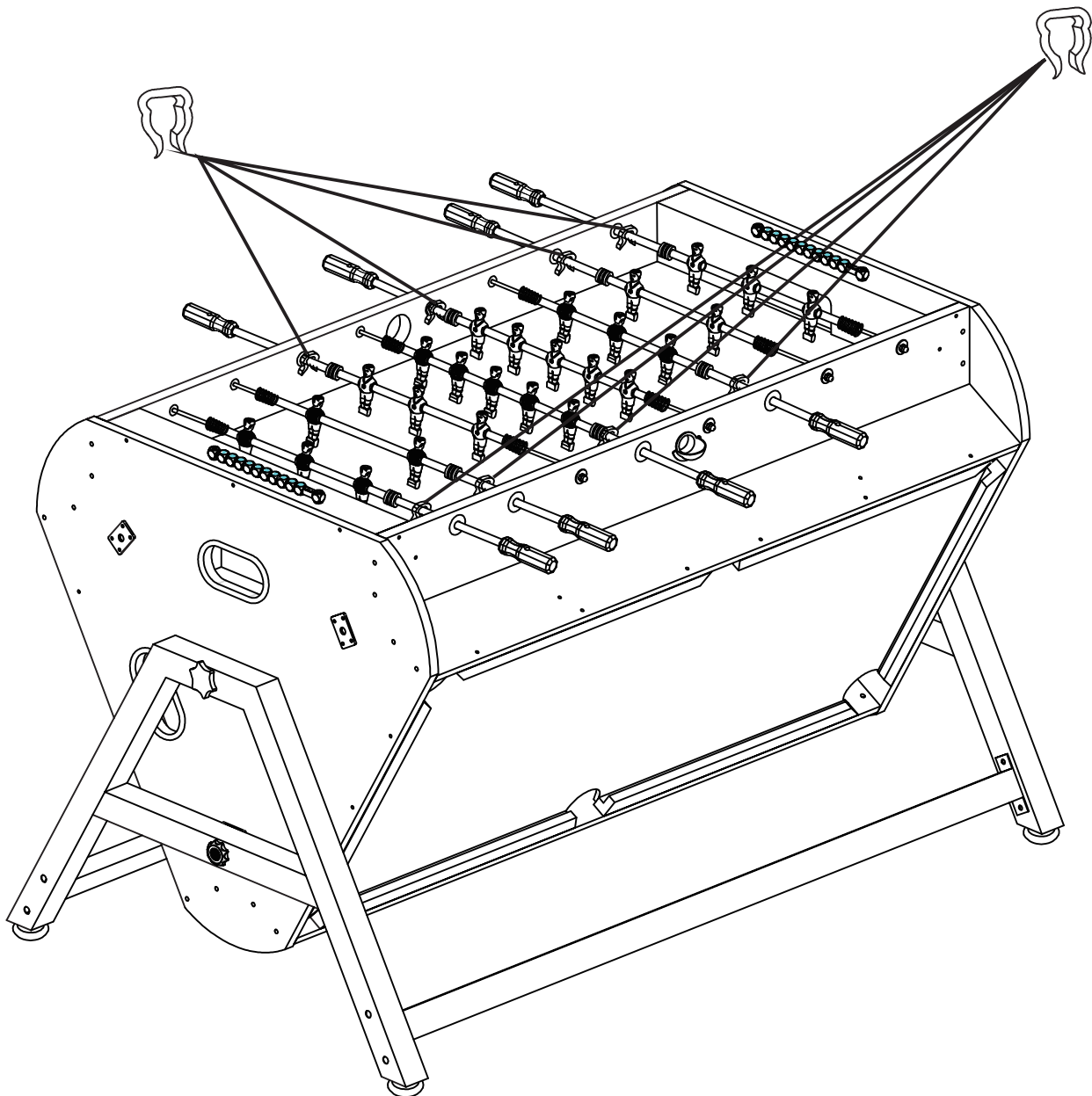
Assembly Instructions

WARNING: TWO ADULTS ARE NEEDED TO ASSEMBLE THE SOCCER TABLE

STEP 20

When you want to rotate the table, please attach the 8 Player Rod Stoppers (#25) to each player rod first to keep the player rod from moving.

kids are not to swivel the table, this table is very heavy!



Turning or repositioning this table requires extreme caution due to its weight and size. Always use at least two (2) or more able-bodied individuals when moving or rotating the table. Failure to do so may result in personal injury or damage to the product. The manufacturer and seller are not responsible for any injuries or damages that occur from improper handling, moving, or assembly.

This table is heavy and should only be moved or turned by responsible adults. Children should never attempt to lift, turn, or reposition the table, as this may result in serious injury or damage to the product.