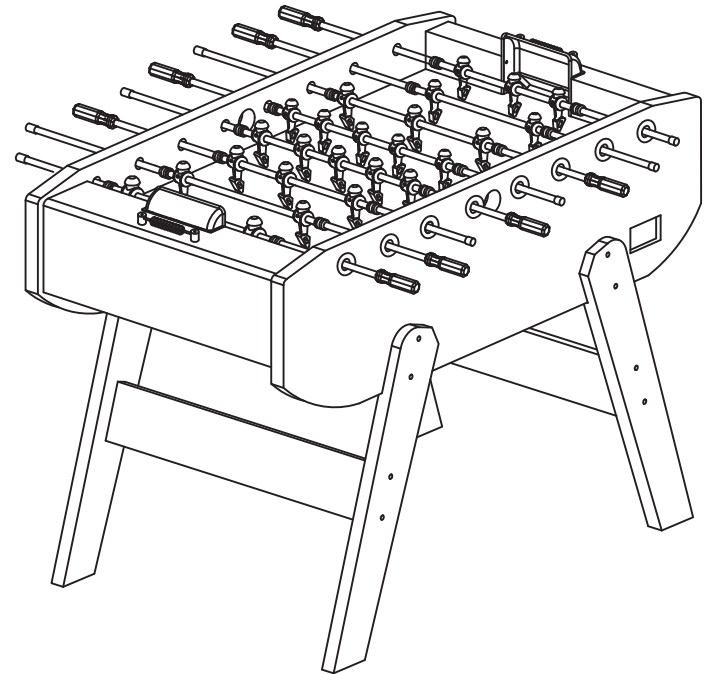




TABLE SOCCER

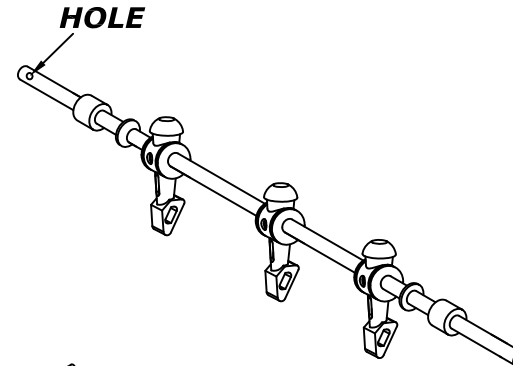
ASSEMBLY INSTRUCTIONS

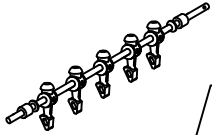
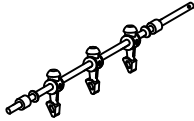
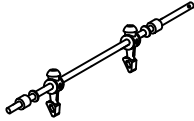
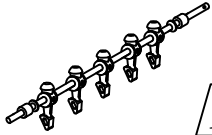
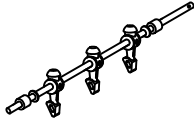
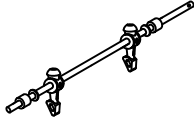


ASSEMBLY INSTRUCTIONS

SOCCER TABLE ASSEMBLY

WARNING: TWO ADULTS NEEDED TO ASSEMBLE SOCCER TABLE



			QTY
	R1	5 HOME PLAYERS ROD	1
	R2	3 HOME PLAYERS ROD	2
	R3	2 HOME PLAYERS ROD	1
	R4	5 AWAY PLAYERS ROD	1
	R5	3 AWAY PLAYERS ROD	2
	R6	2 AWAY PLAYERS ROD	1

ASSEMBLY INSTRUCTIONS

SOCGER TABLE ASSEMBLY

WARNING: TWO ADULTS NEEDED TO ASSEMBLE SOCCER TABLE

9. INSERT THE PLAYER RODS **C1&C2&C3** THROUGH ONR SIDE PANEL, THEN INSERT PLAYERS **C8&C9** AND RUBBER BUSHINGS **C4**, PLASTIC WASHERS **C5** THROUGH THE ROD, REFER TO **R1~R6**. THEN INSERT THE PLAYER ROD THROUGH OTHER SIDE PANEL, ATTACH THE PLAYERS **C8&C9** WITH BOLTS **C6** AND NUTS **C7**. SEE **Figure 6**.
10. SLIDE THE HANDLES **P7** ONTO THE ENDS OF THE RODS WITH THE HOLE CLOSE TO THE END. SLIDE THE RUBBER CAPS **P8** ON THE OTHER END OF THE ROD .

Tighten all the hardware before playing games !

STEPS
9.10

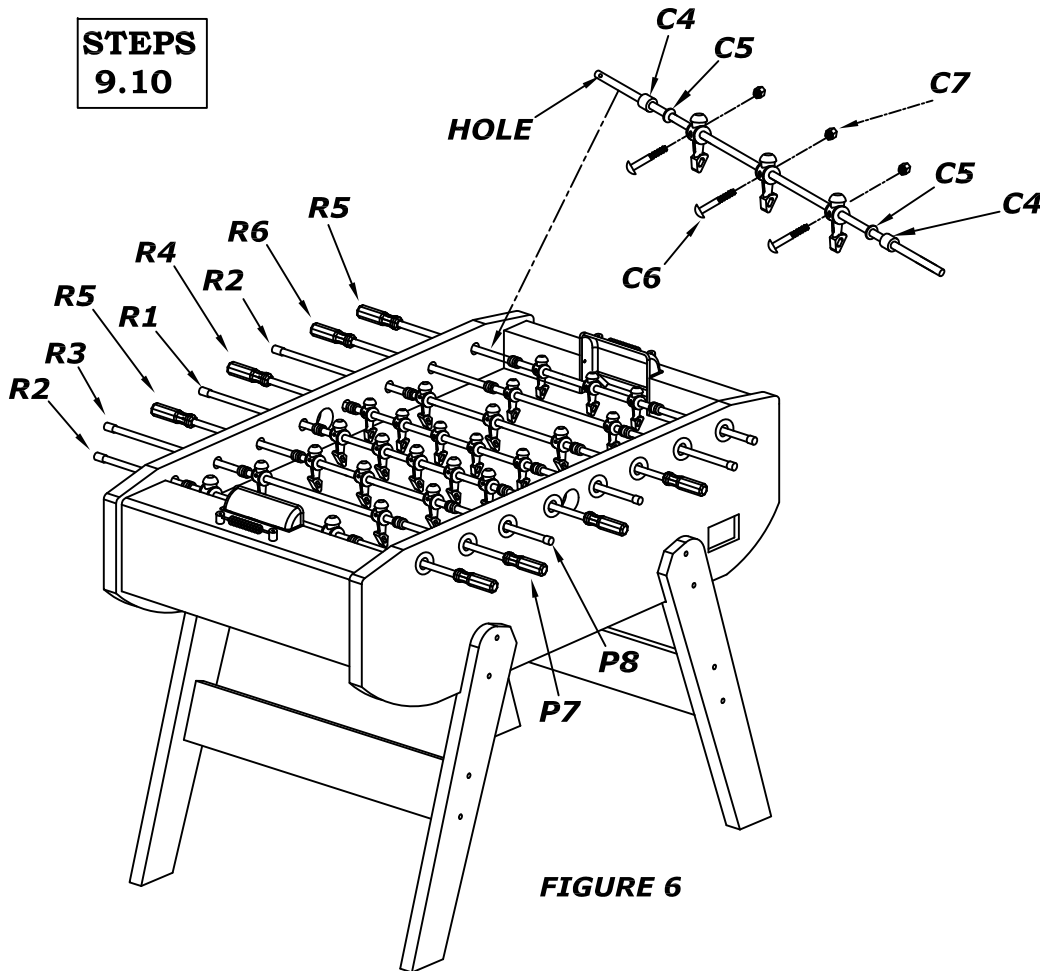
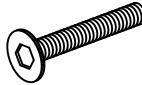







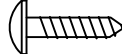







FIGURE 6

PARTS IDENTIFIER

HARDWARE

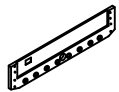
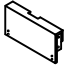
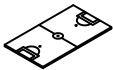



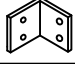
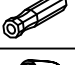



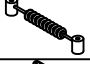

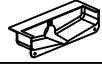


	DESCRIPTION	QTY. REQUIRED
	H1 5/16"x1-3/4" BOLT	8
	H2 5/16" WASHER, BLACK FLAT	16
	H3 5/16 "NUT	8
	H4 1/4"x2" BOLT	8
	H5 1/4"x2-1/2" BOLT	8
	H6 1/4" WASHER, BLACK FLAT	16
	H7 CYLINDRICAL NUT	8
	H8 1-1/8" FLAT HEAD PHILLIPS SCREW	16
	H9 1/2" ROUND HEAD PHILLIPS SCREW	36
	H10 5/8" ROUND HEAD SCREW (Black)	2
	H11 5/8" ROUND HEAD SCREW (Chromium)	4
	H12 1-3/4" FLAT HEAD PHILLIPS SCREW	4

ACCESSORIES

	DESCRIPTION	QTY
	A1 SOCCER BALL	4
	A2 TOOL	2

PARTS IDENTIFIER

ASSEMBLY PARTS

	DESCRIPTION	QTY
	P1 SIDE PANEL	2
	P2 END PANEL	2
	P3 PLAYING FIELD	1
	P4A LEG A	2
	P4B LEG B	2
	P4C LEG PANEL	2
	P5 PLAYFIELD SUPPORT BRACE	3
	P6 SUPPORT BRACKET	6
	P7 HANDLE	8
	P8 ROD END CAP	8
	P9A BALL ENTRY CUP	2
	P9B BALL ENTRY SOCKET	2
	P10 SLIDE SCORER	2
	P11 BALL CATCHER	2
	P12 GOAL	2
	P13 BALL RUNNER	2
	P14 SHIELD	2

ASSEMBLY INSTRUCTIONS

SOCCER TABLE ASSEMBLY

WARNING: TWO ADULTS NEEDED TO ASSEMBLE SOCCER TABLE

- ATTACH BALL ENTRY CUPS **P9A** AND **P9B** TO THE SIDE PANELS WITH SCREWS **H10** AS SHOWN IN **figure 5**. ATTACH THE SHIELD **P14** TO THE END PANEL WITH SCREWS **H11** AS SHOWN IN **FIGURE 5**. ATTACH THE TWO SETS OF SLIDE SCORER **P10** TO THE END OF TABLE WITH PHILLIS HEAD SCREWS **H12**.

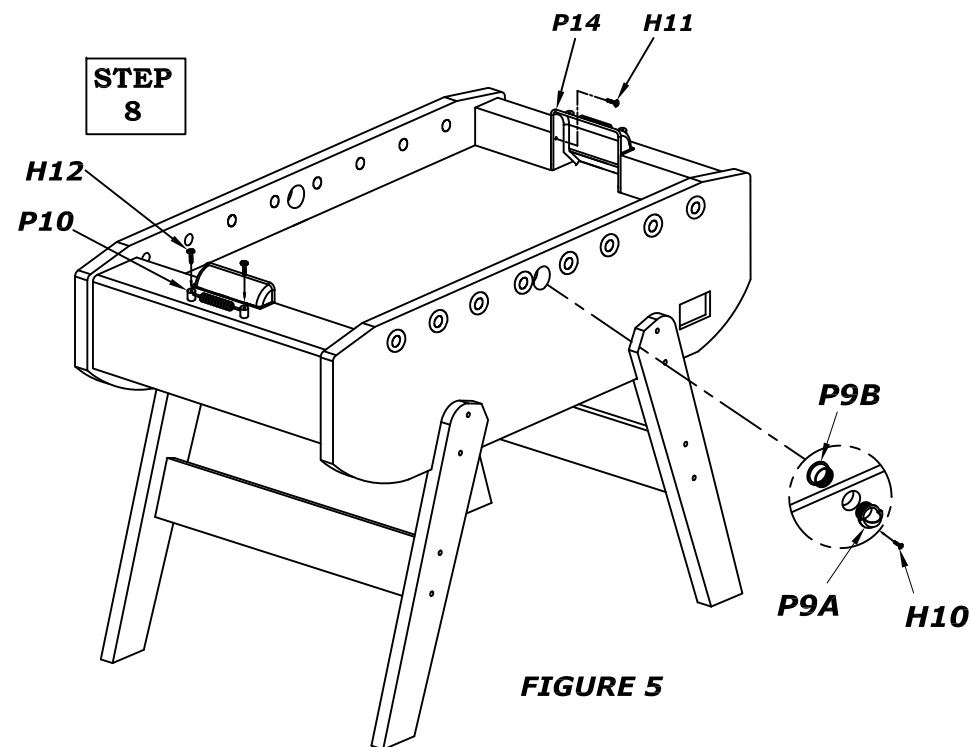


FIGURE 5

ASSEMBLY INSTRUCTIONS

SOCGER TABLE ASSEMBLY

WARNING: TWO ADULTS NEEDED TO ASSEMBLE SOCCER TABLE

5. ATTACH THE LEGS **P4A&P4B** AS SHOWN IN **figure 4** .
THE LEGS ARE ATTACHED WITH BOLTS **H1**, AND WASHERS **H2**. NUT **H3**,
TIGHTEN HARDWARE AT THIS TIME.
6. INSERT THE NUT **H7** INTO THE HOLE OF THE LEG PANELS AS SHOWN IN
FIGURE 4. THE HOLE OF THE NUT ALIGN THE HOLE OF THE PANELS.
7. ATTACH LEG PANELS **P4C** WITH BOLTS **H5** AND WASHERS **H6** AS SHOWN
IN **FIGURE 4**.

STEPS
5.6.7

WARNING

This step requires two adults!
Very carefully turn the table over.
Be careful! The table is very heavy

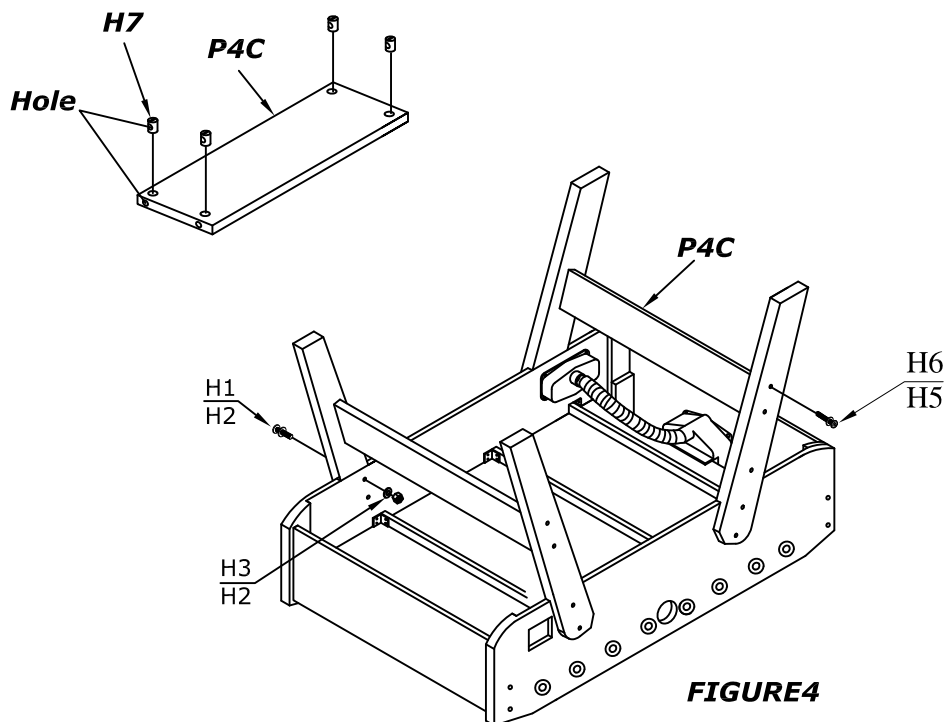
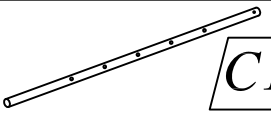
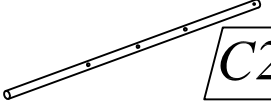
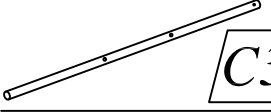

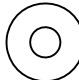
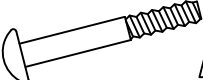

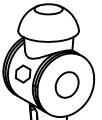



FIGURE4

PARTS IDENTIFIER

REPLACEMENT PARTS

	DESCRIPTION	QTY
 C1	5 PLAYER ROD	2
 C2	3 PLAYER ROD	4
 C3	2 PLAYER ROD	2
 C4	RUBBER BUSHING	16
 C5	PLASTIC ROD WASHERS	16
 C6	1-1/8" BOLT (used to install men)	26
 C7	LOCKING NUT (used to install men)	26
 C8	HOME MEN	13
 C9	AWAY MEN	13

ASSEMBLY INSTRUCTIONS

SOCCKER TABLE ASSEMBLY

WARNING: TWO ADULTS NEEDED TO ASSEMBLE SOCCER TABLE

1. INSERT PLAY FIELD **P3** INTO THE GROOVE ON THE SIDE PANELS **P1** WITH GRAPHICS FACING DOWN. SEE **figure 1**

STEP
1

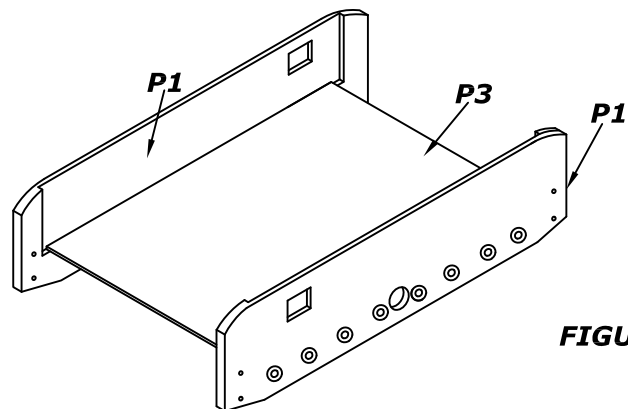


FIGURE 1

2. ATTACH THE TWO END PANELS **P2** TO THE SIDE PANELS **P1** AS SHOWN IN **figure 2**. REMEMBER: THE GROOVE MUST FACE INWARD TOWARD THE PLAY FIELD. ATTACH THE END PANELS WITH BOLTS **H4** AND WASHERS **H6**.
3. ATTACH PLAY FIELD WITH SCREWS **H8** IN THE END AND SIDE PANELS AS SHOWN IN **figure 2**.

STEPS
2.3

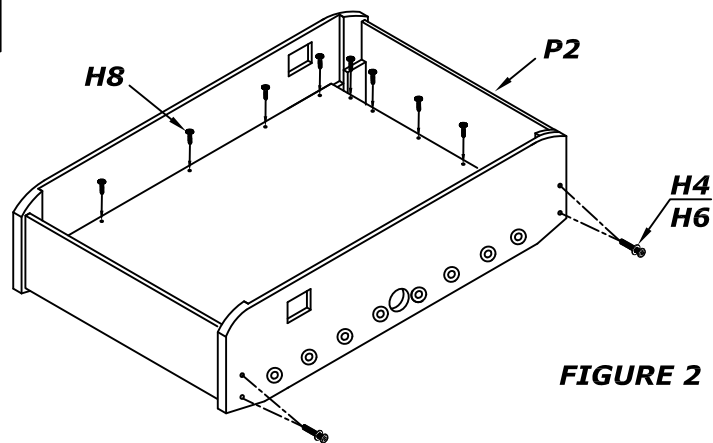


FIGURE 2

ASSEMBLY INSTRUCTIONS

SOCCKER TABLE ASSEMBLY

WARNING: TWO ADULTS NEEDED TO ASSEMBLE SOCCER TABLE

4. PLACE THE PLAYFIELD SUPPORT BRACES **P5** ON THE BOTTOM OF THE PLAYFIELD. ATTACH THE BRACES USING BRACKETS **P6** AND SCREWS **H9**. AS SHOWN IN **figure 3**. PLACE THE GOAL **P12** OVER THE HOLE IN THE END PANEL AND ATTACH USING SCREWS **H9**. PLACE THE BALL CATCHER **P11** OVER THE HOLE IN THE SIDE PANEL AND ATTACH USING SCREWS **H9**. SECURE THE BALL RUNNER **P13** BETWEEN EACH GOAL AND BALL CATCHER. SEE **figure 3**. (REPEAT ABOVE STEP FOR OTHER END OF TABLE)

STEP
4

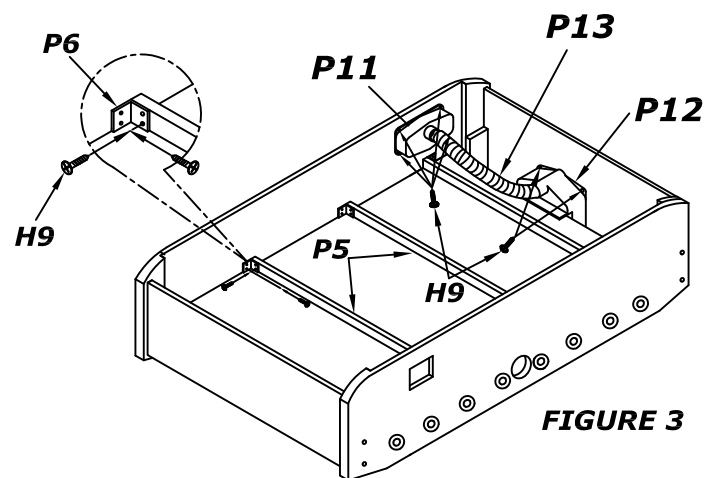


FIGURE 3