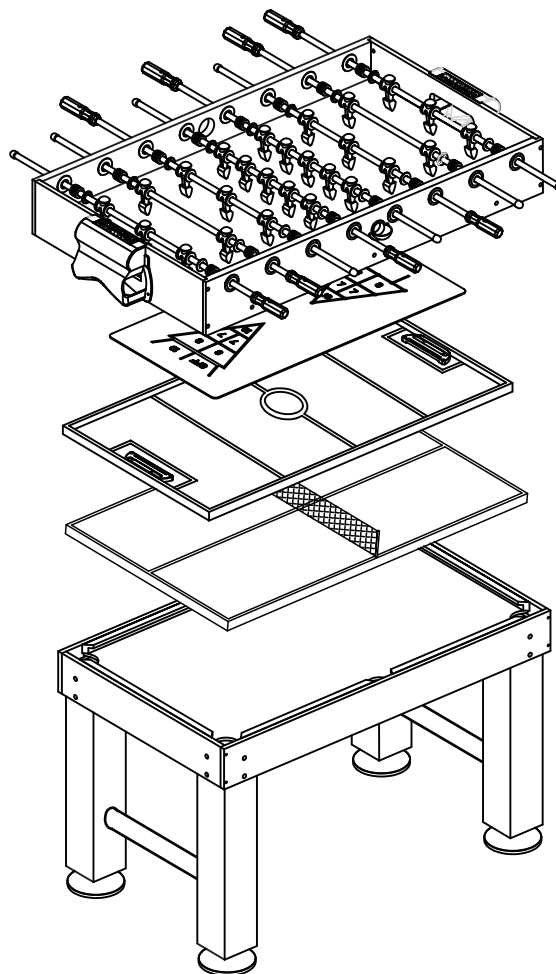




KICK Pentacle 55"

(Brown/Black)

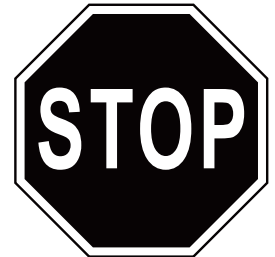
6-IN-1 MULTI-GAME FOOSBALL TABLE
ASSEMBLY INSTRUCTIONS



FY723

Assembly Instructions

WARNING: TWO ADULTS ARE NEEDED TO ASSEMBLE THE SOCCER TABLE



Official Website of KICK Foosball Tables



IF YOUR TABLE HAS DAMAGES, MISSING PARTS, OR YOU ARE NOT **100%** SATISFIED PLEASE CONTACT **KICK, NOT THE RESELLER.**

← SCAN THIS QR CODE TO CONTACT US IF YOU FACE ANY ISSUES.

FOR THE LATEST INSTRUCTION MANUALS, VIDEOS, TABLE ASSEMBLY INFO, DIFFERENT GOALIE SETUPS, PLAYER TYPES, AND OTHER HELPFUL TIPS - PLEASE VISIT THE LINK BELOW OR SCAN THIS QR CODE →

www.KICKFoosballTables.com/Instructions/



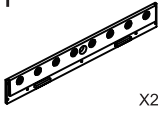
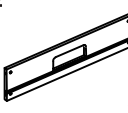
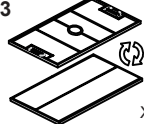
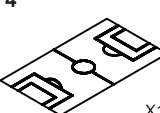
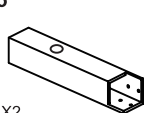
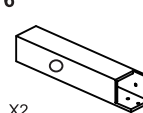
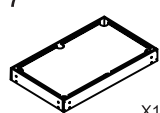



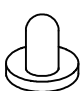
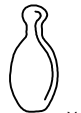


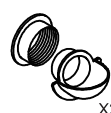

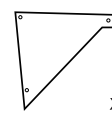
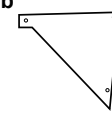
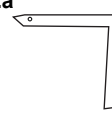
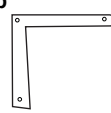
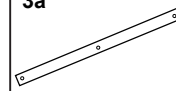
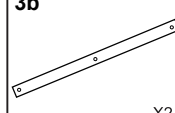
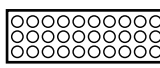
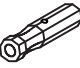











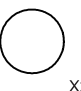

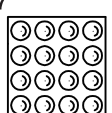





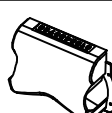

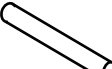
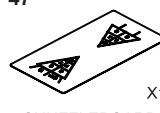
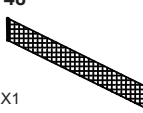


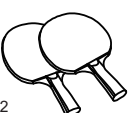
CONTACT INFORMATION:

Email: Support@KICKFoosballTables.com
Website: www.KICKFoosballTables.com
Phone: 1 (866) 844-KICK (5425) or (210) 664-8934

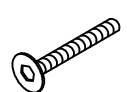






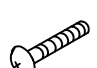
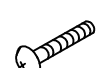



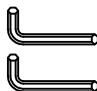

MAILING ADDRESS:

KICK Sports
PO Box 790311
San Antonio, Texas 78279

PARTS LIST

1  SIDE PANEL X2	2  END PANEL X2	3  TABLE TENNIS HOCKEY X1	4  PLAYFIELD X1	5  RIGHT LEG X2	6  LEFT LEG X2	7  BILLIARD TABLE X1
8  SUPPORT BRACE X3	9  SUPPORT ROD X3	10  PUCK X2	11  STRIKER X2	12  SRT OF BOWLING PINS X10	13  BOWLING BALL X1	14  PUCKS X6
15  BALL ENTRY CUP X2	16  STOP RING X4	1a  TRIANGLE a X2	1b  TRIANGLE b X2	2a  L STYLE PLASTIC a X2	2b  L STYLE PLASTIC b X2	3a  LONG PLASTIC a X2
3b  LONG PLASTIC b X2	P13  SCREW HOLE CAP (to cover the hole of the screws S1) 1 SET	18  ROD HANDLE X8	19  ROD END CAP X8	20  ROD BUMPER X16	21  ROD WASHER X16	22a  PLAYER X13
22b  PLAYER X13	22c  PLAYER X13	22d  PLAYER X13	23  3 PLAYER ROD X4	24  2 PLAYER ROD X2	25  5 PLAYER ROD X2	26a  SOCCER BALL X2
26b  SOCCER BALL X2	26c  SOCCER BALL X2	27  BILLIARD BALLS SET X1	28  TRIANGLE X1	29  CUC STICK X2	30  BRUSH X1	31  CHALKS X2
32  X2 (Pre-installed) HOCKEY GOAL	33  GOAL BOX X2	34  LEG LEVELER X4	46  LEG CROSS ROD X2	47  SHUFFLEBOARD /BOWLING TOP X1	48  TABLE TENNIS NET X1	49  TABLE TENNIS POSTS X2
50  TABLE TENNIS BALL X2	51  TABLE TENNIS PADDLE X2					

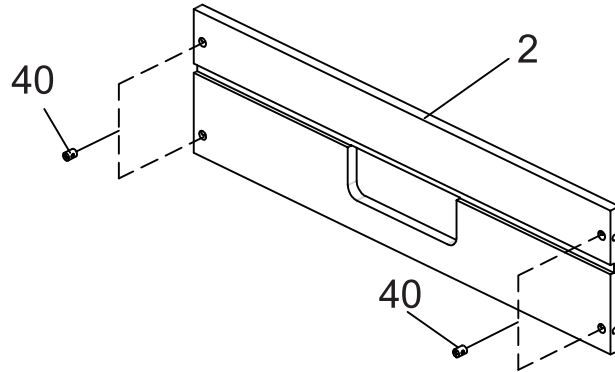
HARDWARE

35  5/16" x 1-1/4" BOLT X16	36  5/16" WASHER X16	37  1/4" x 1-1/2" BOLT X8	38  1/4" WASHER X8	39  1/4" NUT X6	40  1/4" LOCK NUT X8	41  1/8" x 1/2" SCREWS X12
42a  5/32" x 1-1/8" BOLT X26	42b  5/32" x 1-1/8" BOLT X26	43a  5/32" NUT X26	43b  5/32" NUT X26	44  3/16" x 3/4" BOLT X8	45  ALLEN WRENCH X2	S1  1/2" FLAT HEAD SCREWS X36

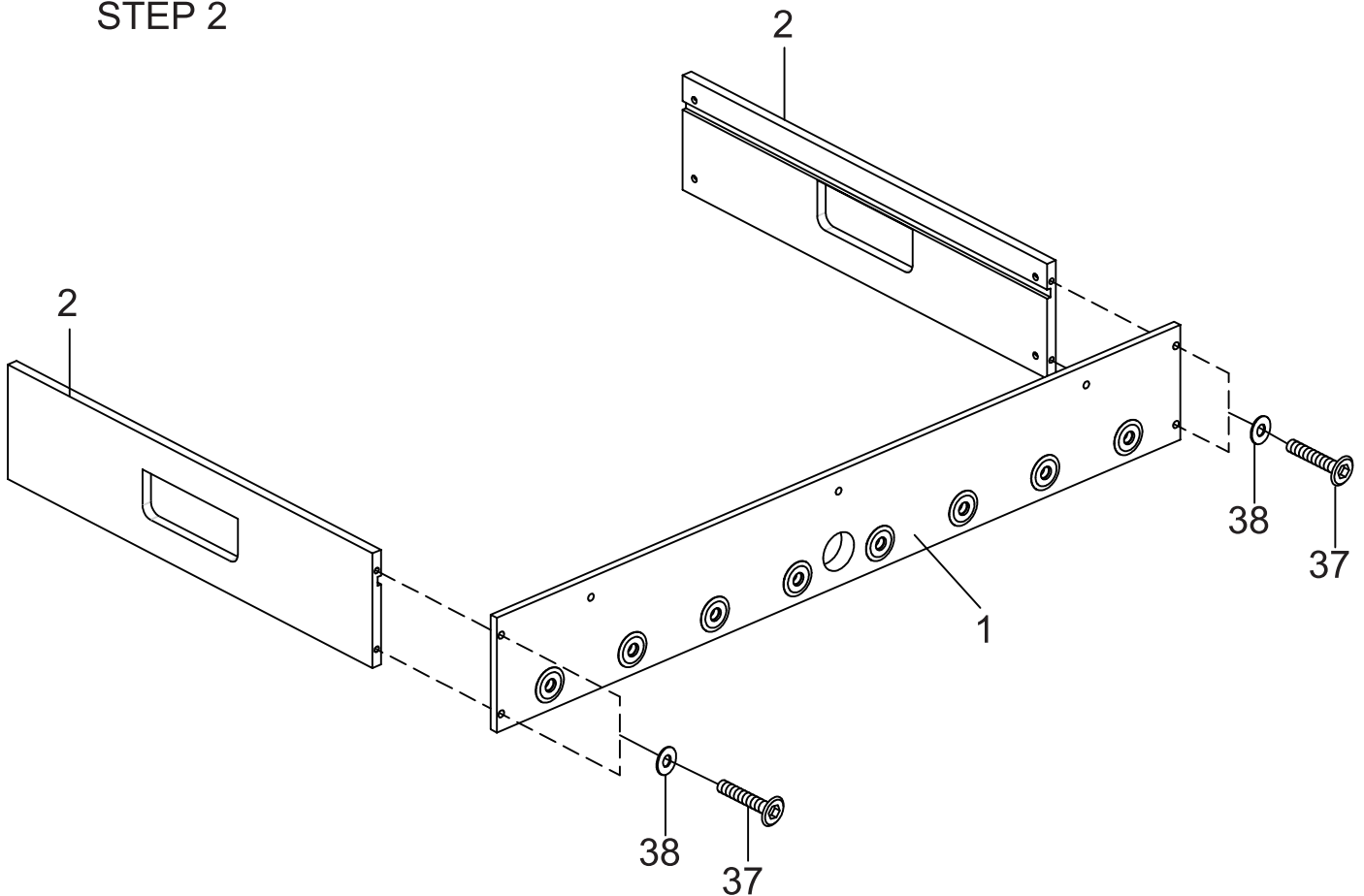
Assembly Instructions

WARNING: TWO ADULTS ARE NEEDED TO ASSEMBLE THE SOCCER TABLE

STEP 1



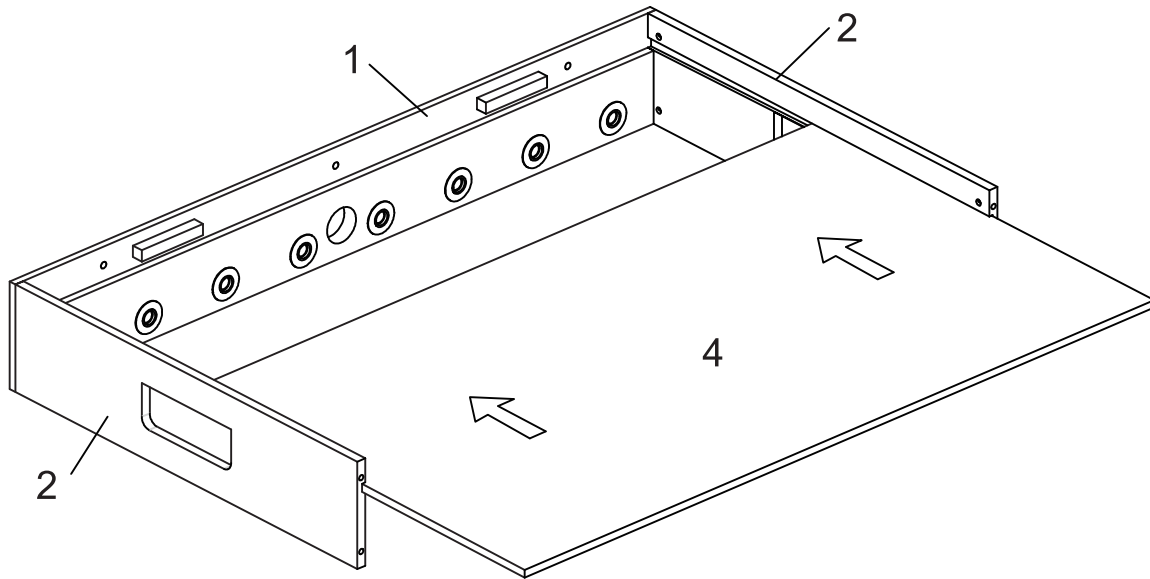
STEP 2



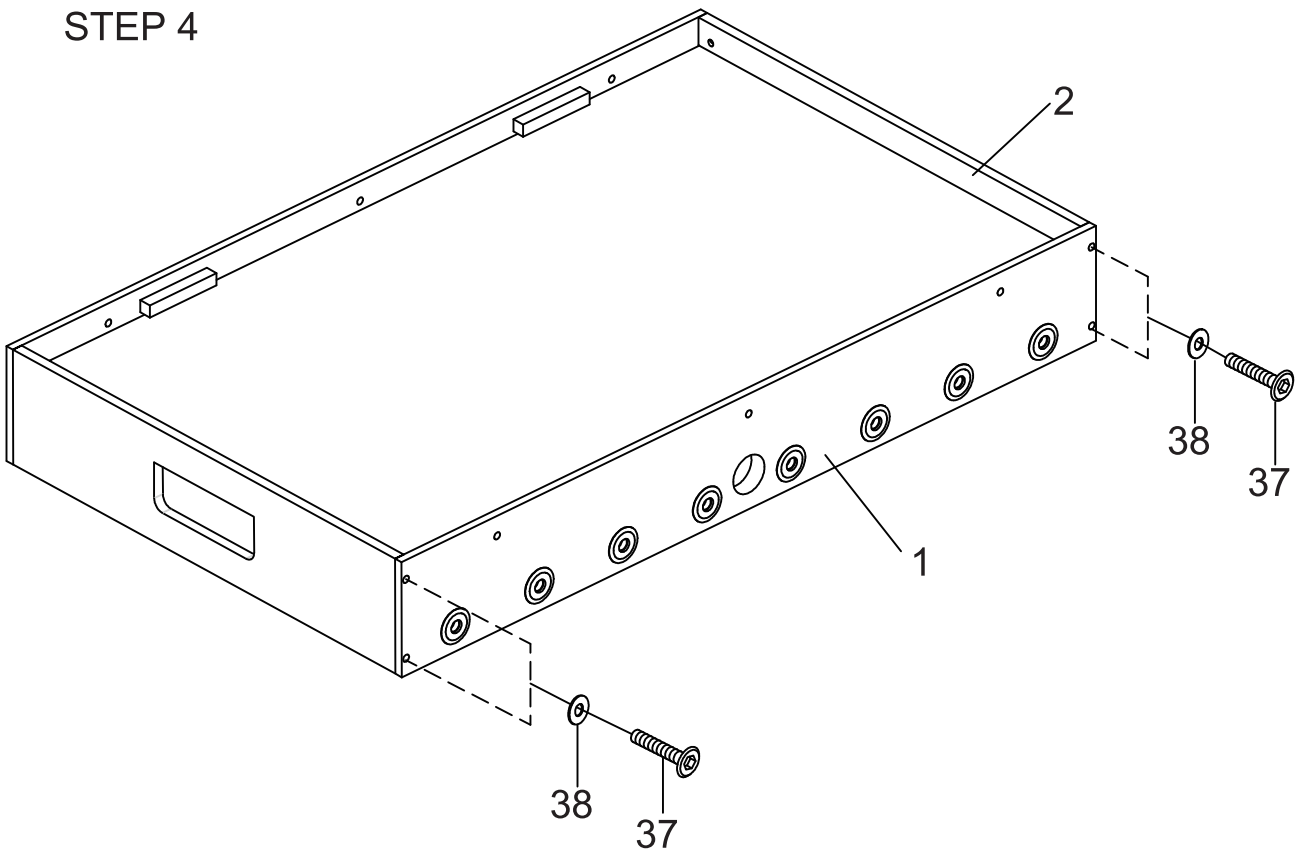
Assembly Instructions

WARNING: TWO ADULTS ARE NEEDED TO ASSEMBLE THE SOCCER TABLE

STEP 3



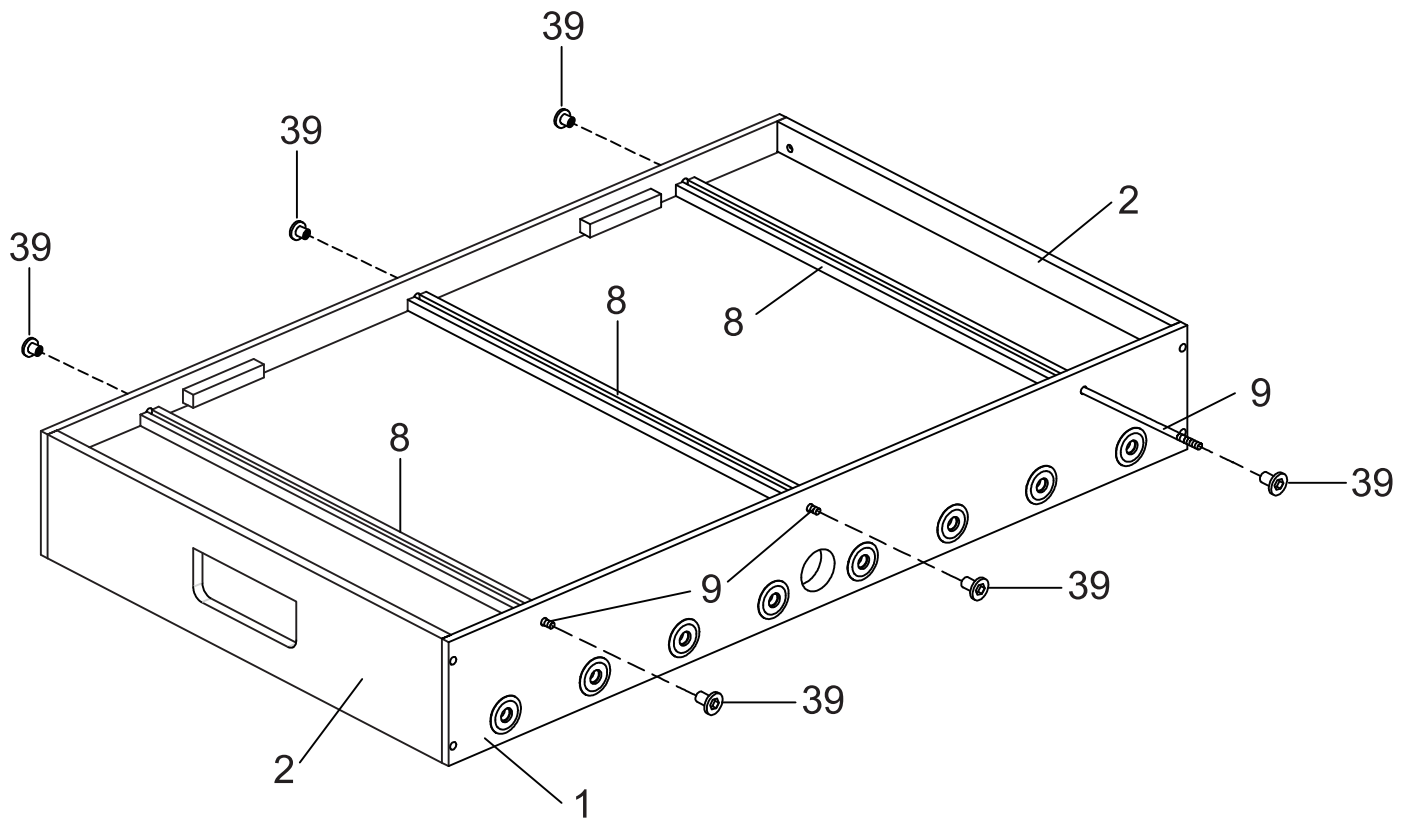
STEP 4



Assembly Instructions

WARNING: TWO ADULTS ARE NEEDED TO ASSEMBLE THE SOCCER TABLE

STEP 5

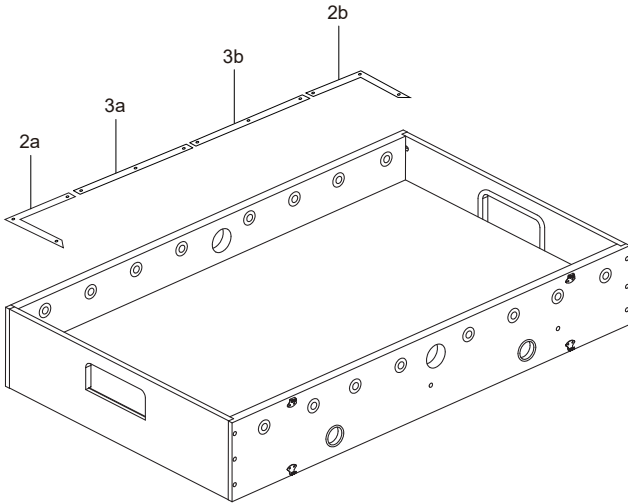


Assembly Instructions

WARNING: TWO ADULTS ARE NEEDED TO ASSEMBLE THE SOCCER TABLE

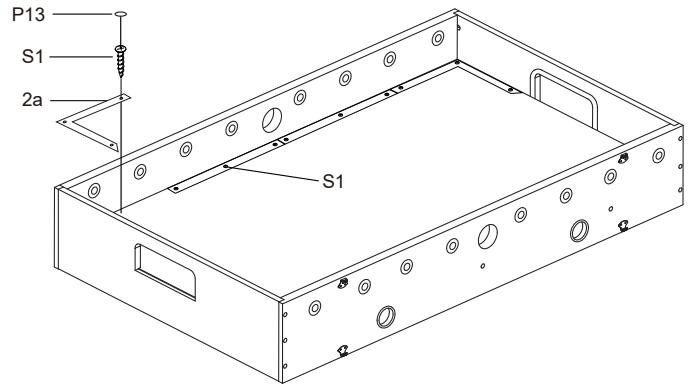
STEP 6A

Steps 6A to 6E are optional if you want.



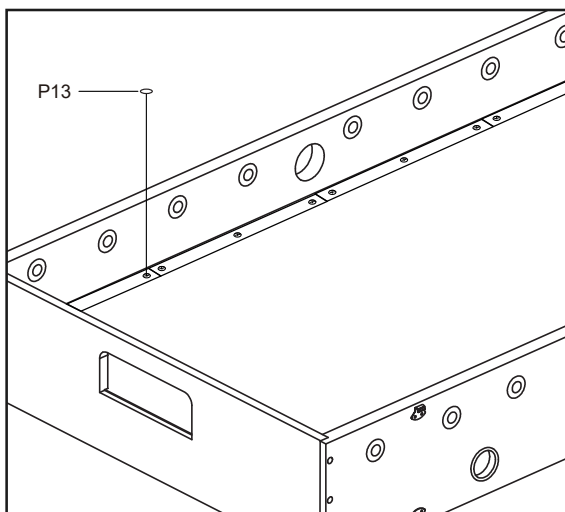
STEP 6B

Attach the plastic 2a, 2b, 3a, 3b to the playing field with S1.

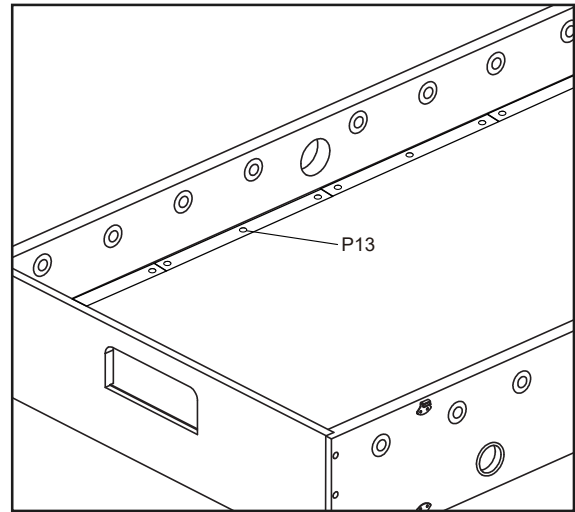


STEP 6C

Cover the Screw Hole Cap P13 to the screw hole.



STEP 6D

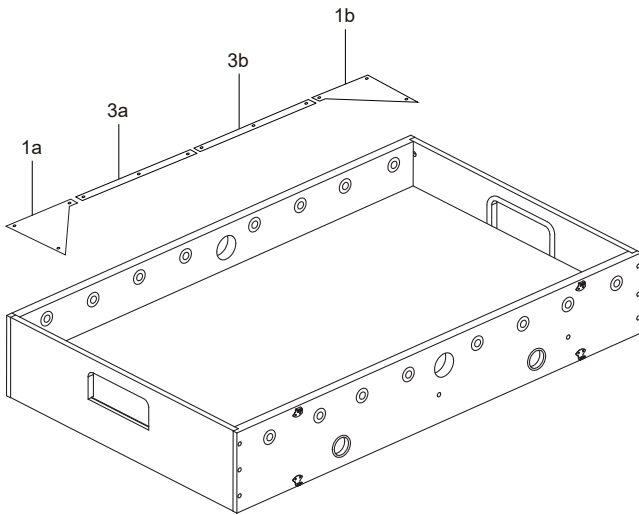


Assembly Instructions

WARNING: TWO ADULTS ARE NEEDED TO ASSEMBLE THE SOCCER TABLE

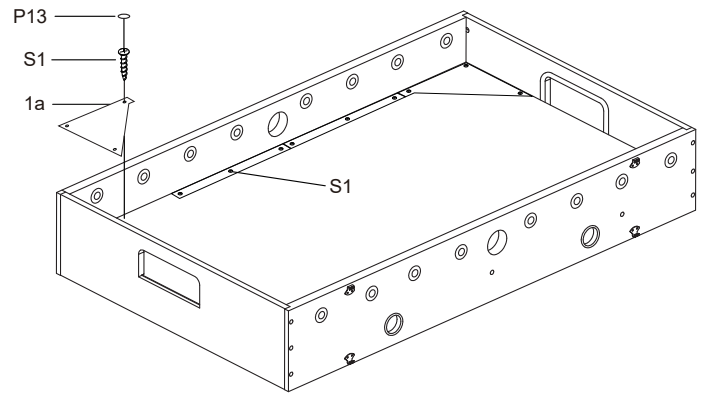
STEP 7A

Steps 7A to 7E are optional if you want.



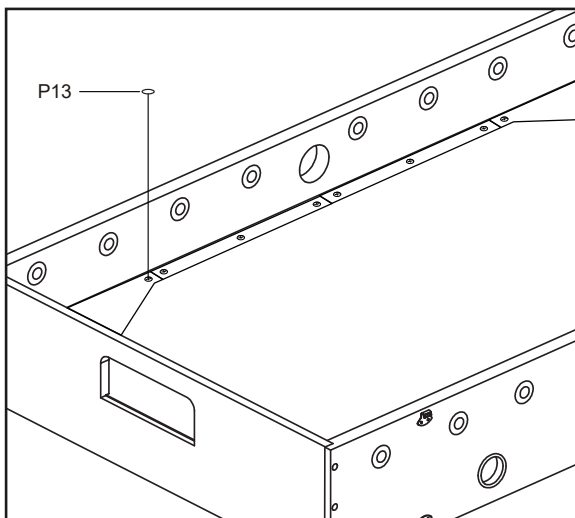
STEP 7B

Attach the plastic 1a, 1b, 3a, 3b to the playing field with S1.

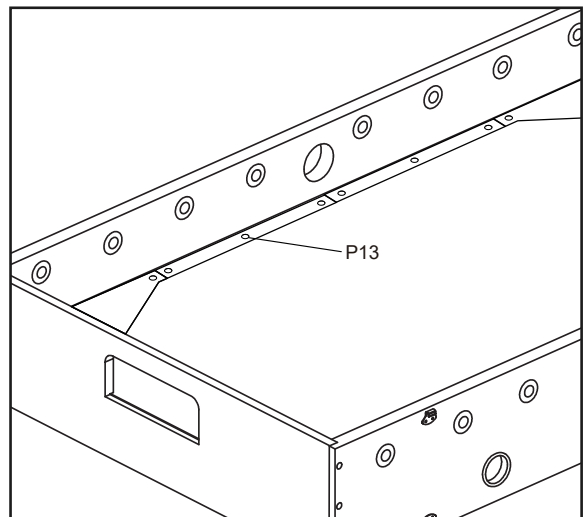


STEP 7C

Cover the Screw Hole Cap P13 to the screw hole.



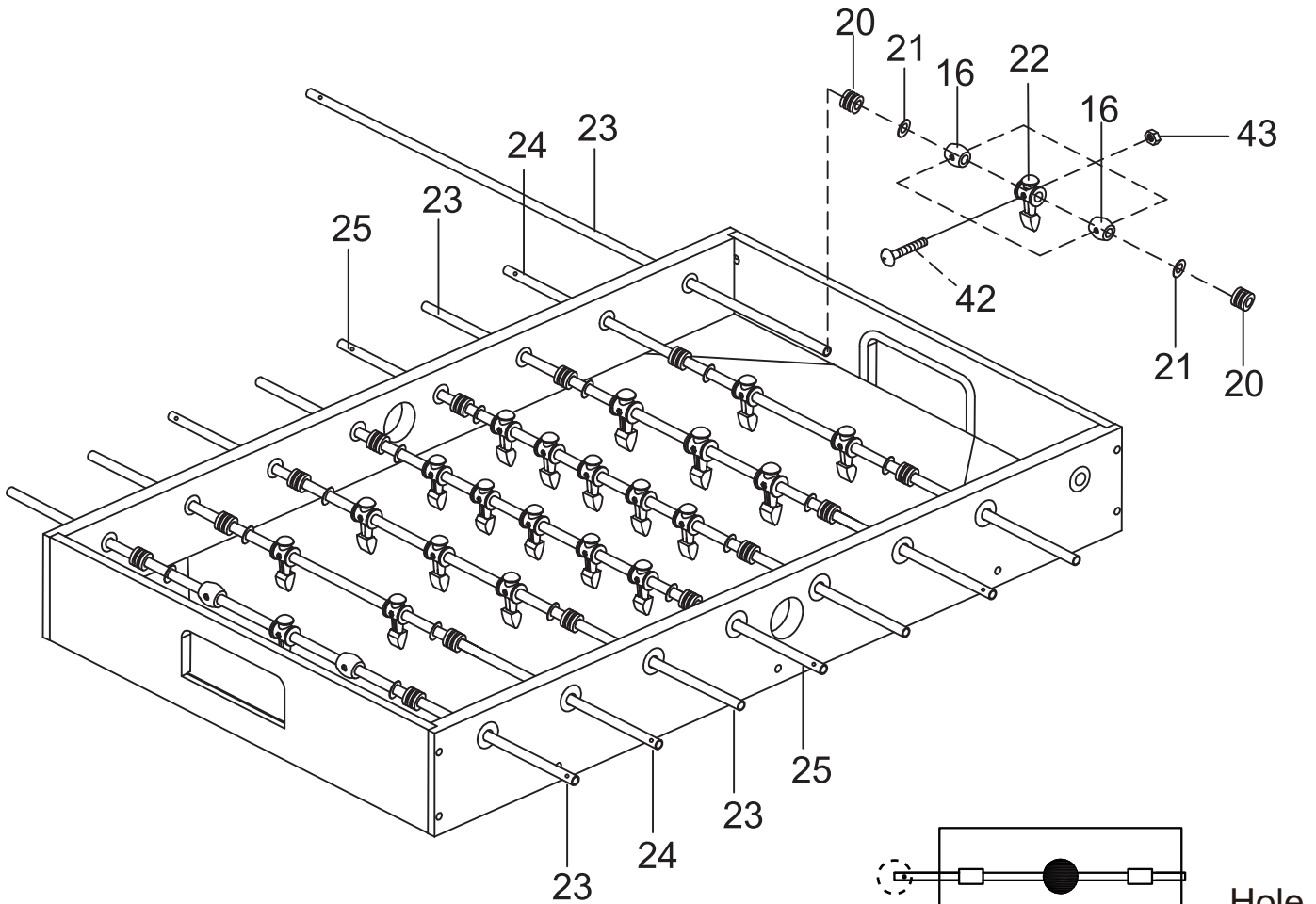
STEP 7D



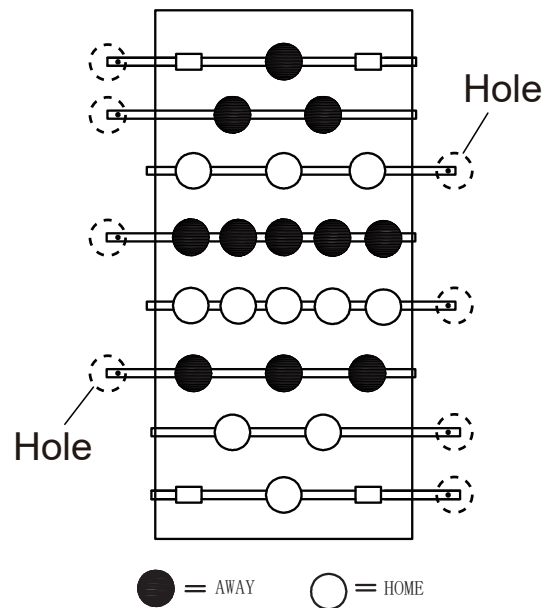
Assembly Instructions

WARNING: TWO ADULTS ARE NEEDED TO ASSEMBLE THE SOCCER TABLE

STEP 7E



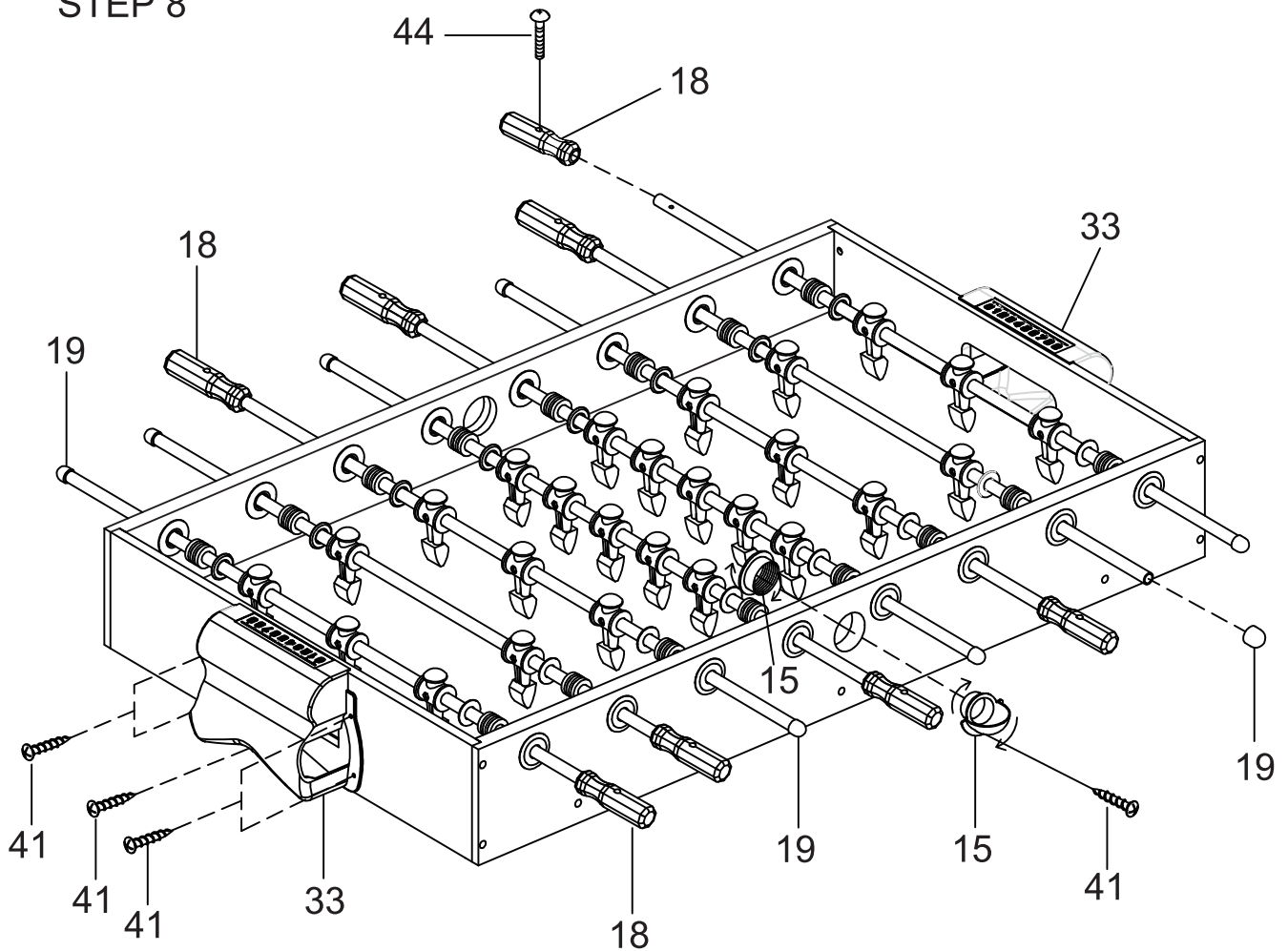
Insert the rod end part way through one side panel, and then place the rest of the parts needed on each rod, in the order shown, before inserting through the other side panel.



Assembly Instructions

WARNING: TWO ADULTS ARE NEEDED TO ASSEMBLE THE SOCCER TABLE

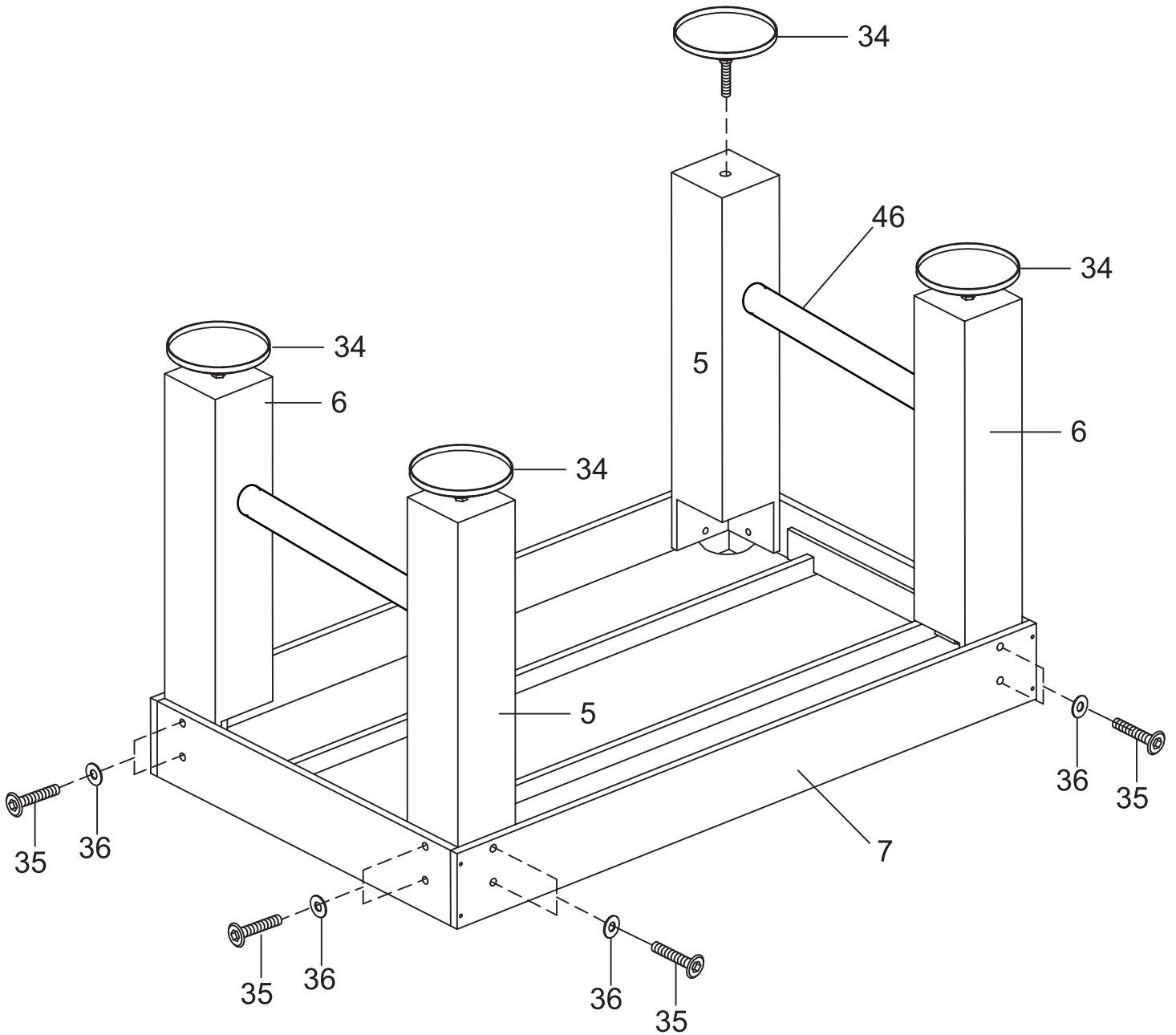
STEP 8



Assembly Instructions

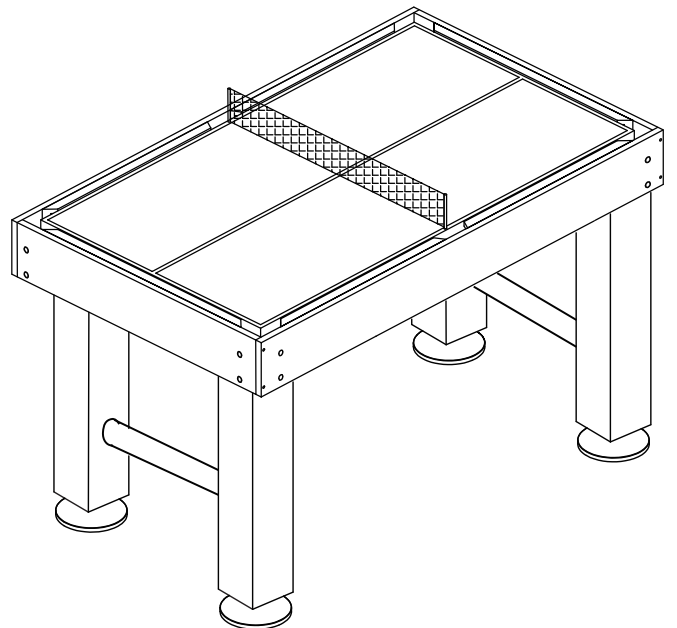
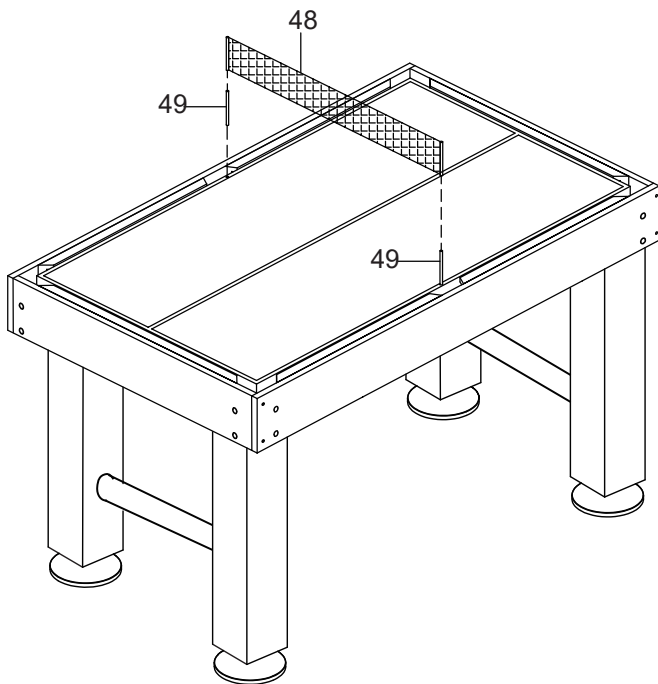
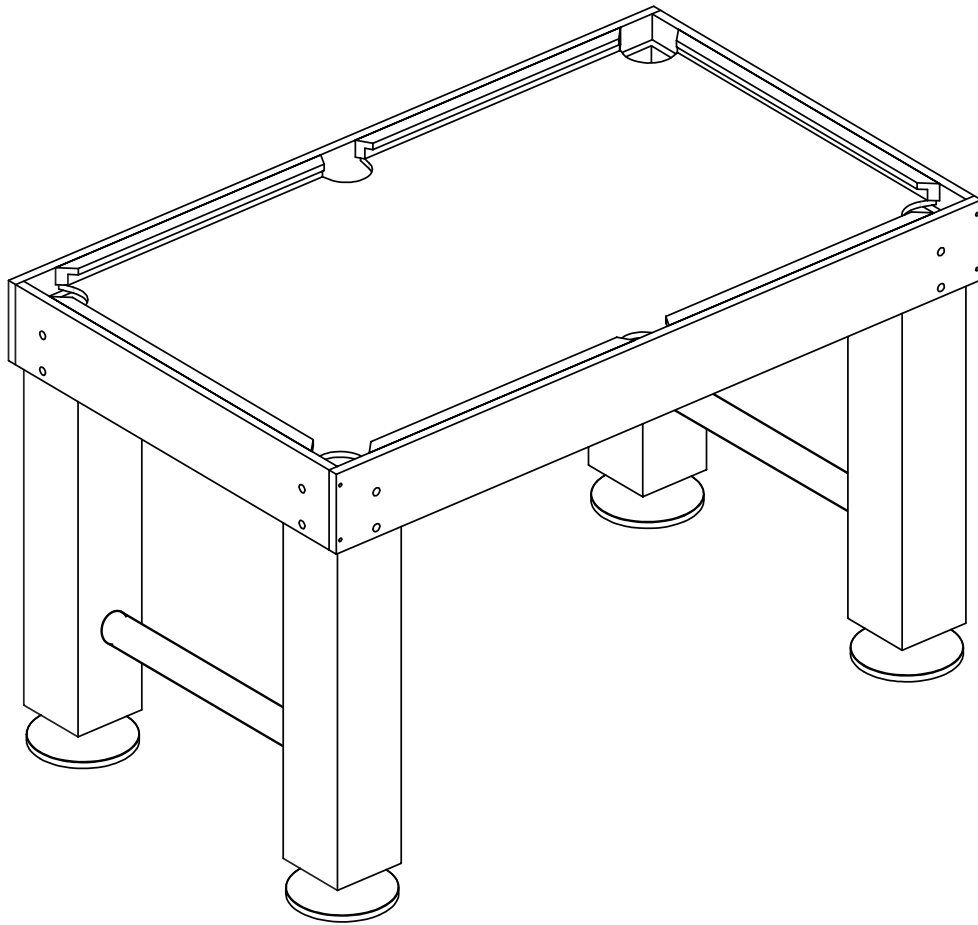
WARNING: TWO ADULTS ARE NEEDED TO ASSEMBLE THE SOCCER TABLE

STEP 9



Assembly Instructions

WARNING: TWO ADULTS ARE NEEDED TO ASSEMBLE THE SOCCER TABLE



Assembly Instructions

WARNING: TWO ADULTS ARE NEEDED TO ASSEMBLE THE SOCCER TABLE

