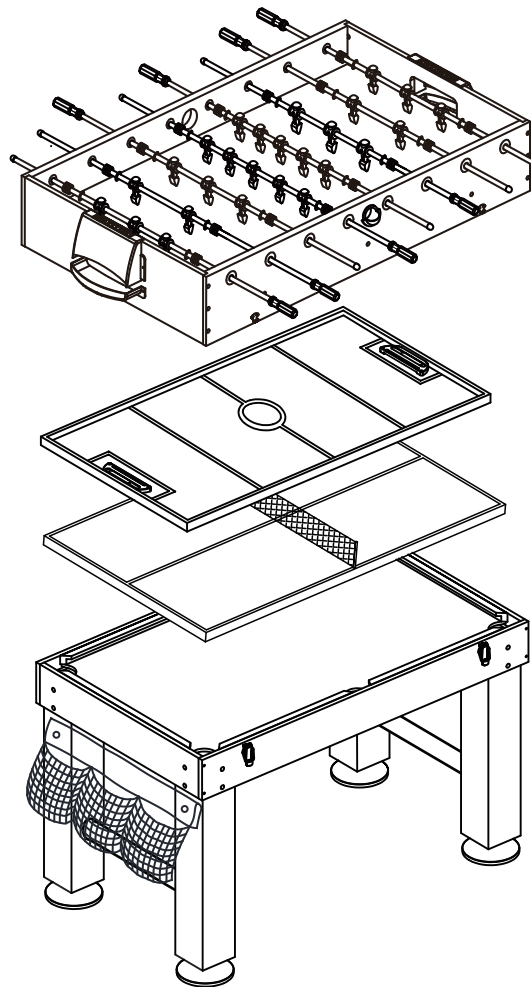




KICK Tetrad 55"

(Brown/Black)

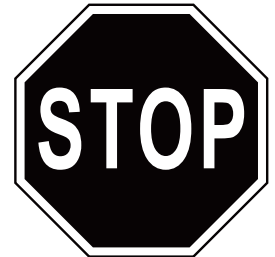
4 IN 1 MULTI-GAME FOOSBALL TABLE
ASSEMBLY INSTRUCTIONS



FY540

Assembly Instructions

WARNING: TWO ADULTS ARE NEEDED TO ASSEMBLE THE SOCCER TABLE



Official Website of KICK Foosball Tables



IF YOUR TABLE HAS DAMAGES, MISSING PARTS, OR YOU ARE NOT **100%** SATISFIED PLEASE CONTACT **KICK, NOT THE RESELLER.**

← SCAN THIS QR CODE TO CONTACT US IF YOU FACE ANY ISSUES.

FOR THE LATEST INSTRUCTION MANUALS, VIDEOS, TABLE ASSEMBLY INFO, DIFFERENT GOALIE SETUPS, PLAYER TYPES, AND OTHER HELPFUL TIPS - PLEASE VISIT THE LINK BELOW OR SCAN THIS QR CODE →

www.KICKFoosballTables.com/Instructions/



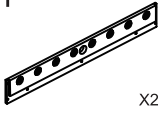
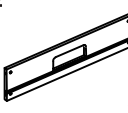
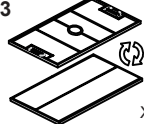
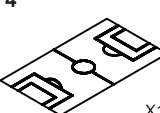
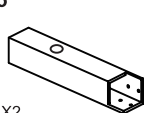
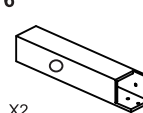
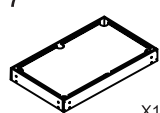



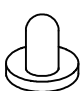

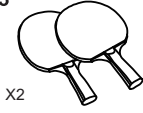
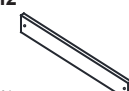


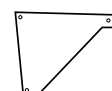
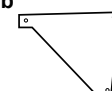
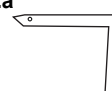
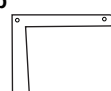
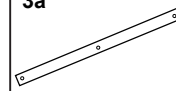
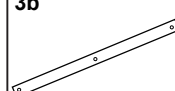
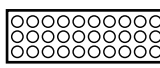
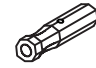











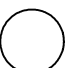

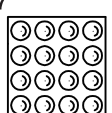




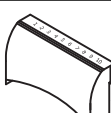


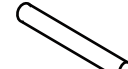






CONTACT INFORMATION:

Email: Support@KICKFoosballTables.com
Website: www.KICKFoosballTables.com
Phone: 1 (866) 844-KICK (5425) or (210) 664-8934
















MAILING ADDRESS:

KICK Sports
PO Box 790311
San Antonio, Texas 78279

PARTS LIST

1  X2 SIDE PANEL	2  X2 END PANEL	3  X1 TABLE TENNIS HOCKEY	4  X1 PLAYFIELD	5  X2 RIGHT LEG	6  X2 LEFT LEG	7  X1 BILLIARD TABLE
8  X3 SUPPORT BRACE	9  X3 SUPPORT ROD	10  X2 PUCK	11  X2 STRIKER	12  X2 TABLE TENNIS BALL	13  X2 TABLE TENNIS PADDLE	H2  X1 ACCESSORY PANEL
15  X2 BALL ENTRY CUP	16  X4 STOP RING	1a  X2 TRIANGLE a	1b  X2 TRIANGLE b	2a  X2 L STYLE PLASTIC a	2b  X2 L STYLE PLASTIC b	3a  X2 LONG PLASTIC a
3b  X2 LONG PLASTIC b	P13 1 SET  SCREW HOLE CAP (to cover the hole of the screws S1)	18  X8 ROD HANDLE	19  X8 ROD END CAP	20  X16 ROD BUMPER	21  X16 ROD WASHER	22a  X13 PLAYER
22b  X13 PLAYER	22c  X13 PLAYER	22d  X13 PLAYER	23  X4 3 PLAYER ROD	24  X2 2 PLAYER ROD	25  X2 5 PLAYER ROD	26a  X2 SOCCER BALL
26b  X2 SOCCER BALL	26c  X2 SOCCER BALL	27  X1 BILLIARD BALLS SET	28  X1 TRIANGLE	29  X2 CUC STICK	30  X1 BRUSH	31  X2 CHALKS
32  X2 GOAL BOX TOP	33  X2 GOAL BOX BOTTOM	34  X4 LEG LEVELER	46  X2 LEG CROSS ROD	47  X2 (Pre-installed) HOCKEY GOAL	48  X1 TABLE TENNIS NET	49  X2 TABLE TENNIS POSTS
50  X4 LOCKER	51  X4 LOCKER	H4  X1 ACCESSORY HOLDER				

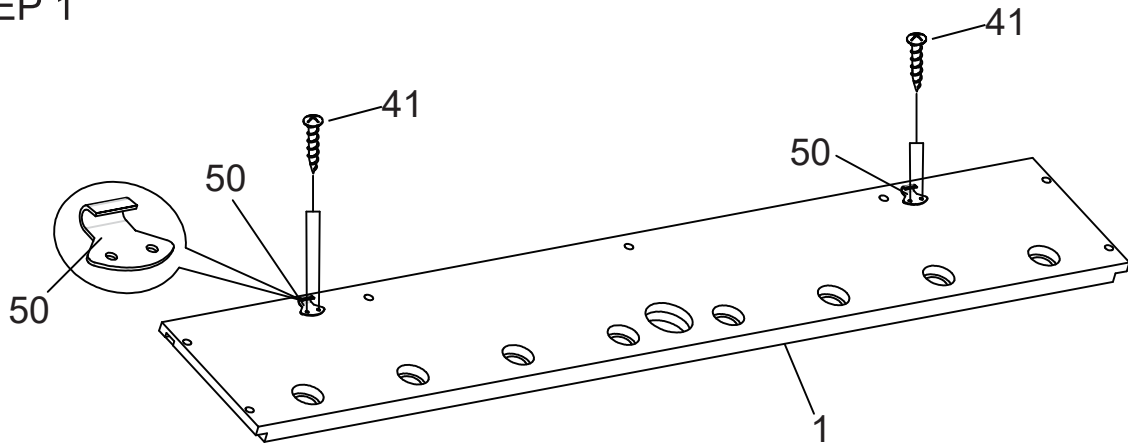
HARDWARE

35 X16  5/16" x 1-1/8" BOLT	36 X16  5/16" WASHER	37 X8  1/4" x 1-1/2" BOLT	38 X8  1/4" WASHER	39 X6  1/4" NUT	40 X8  1/4" LOCK NUT	41 X26  1/8" x 1/2" SCREWS
42a X26  5/32" x 1-1/8" BOLT	42b X26  5/32" x 1-1/8" BOLT	43a X26  5/32" NUT	43b X26  5/32" NUT	44 X8  1/8" x 3/4" SCREWS	45 X2  ALLEN WRENCH	H5 X2  1/8" x 1" SCREWS
S1 X36  1/2" FLAT HEAD SCREWS						

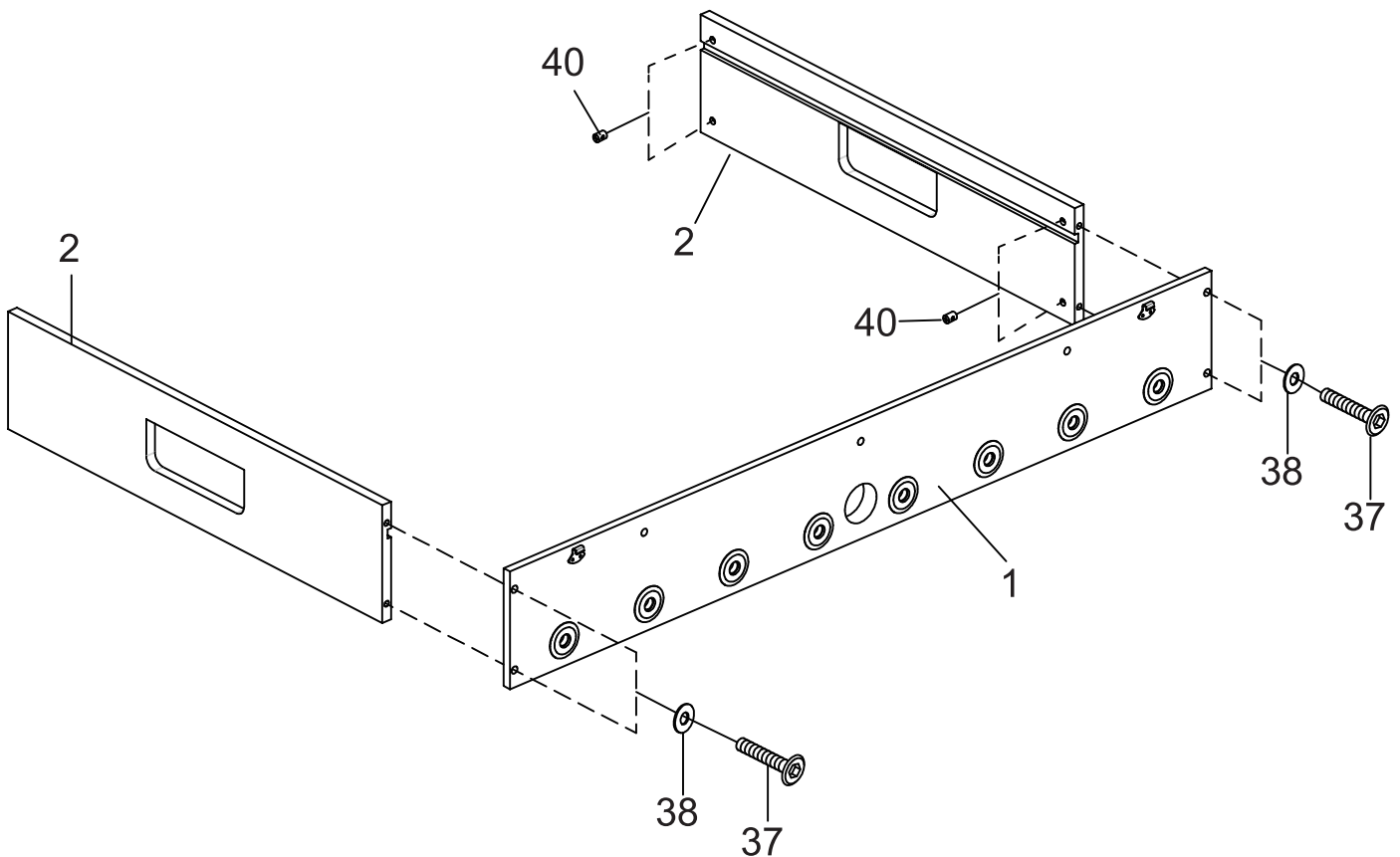
Assembly Instructions

WARNING: TWO ADULTS ARE NEEDED TO ASSEMBLE THE SOCCER TABLE

STEP 1



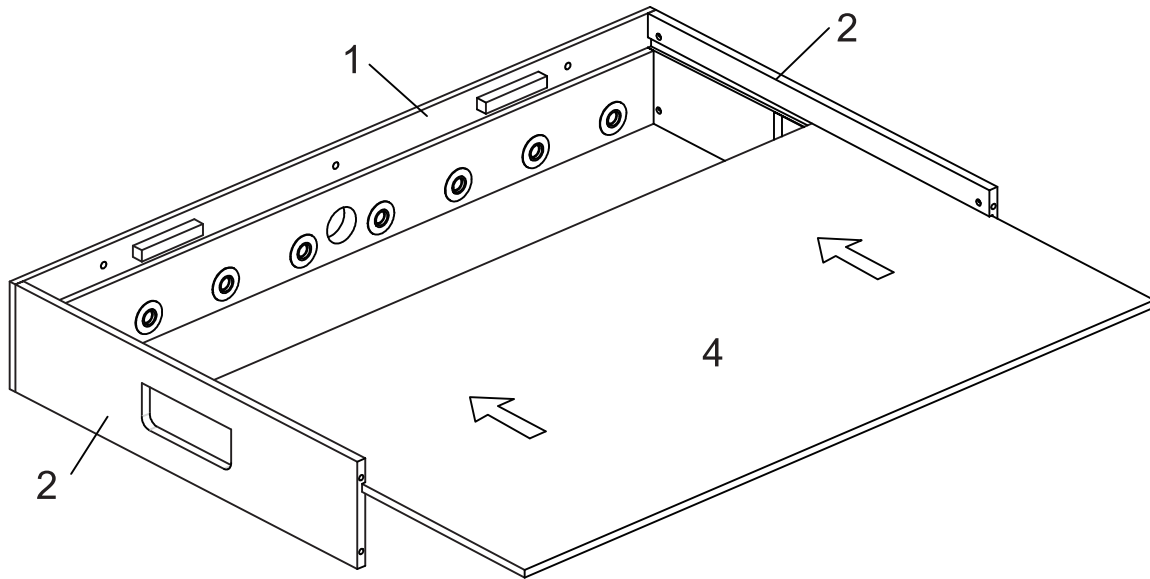
STEP 2



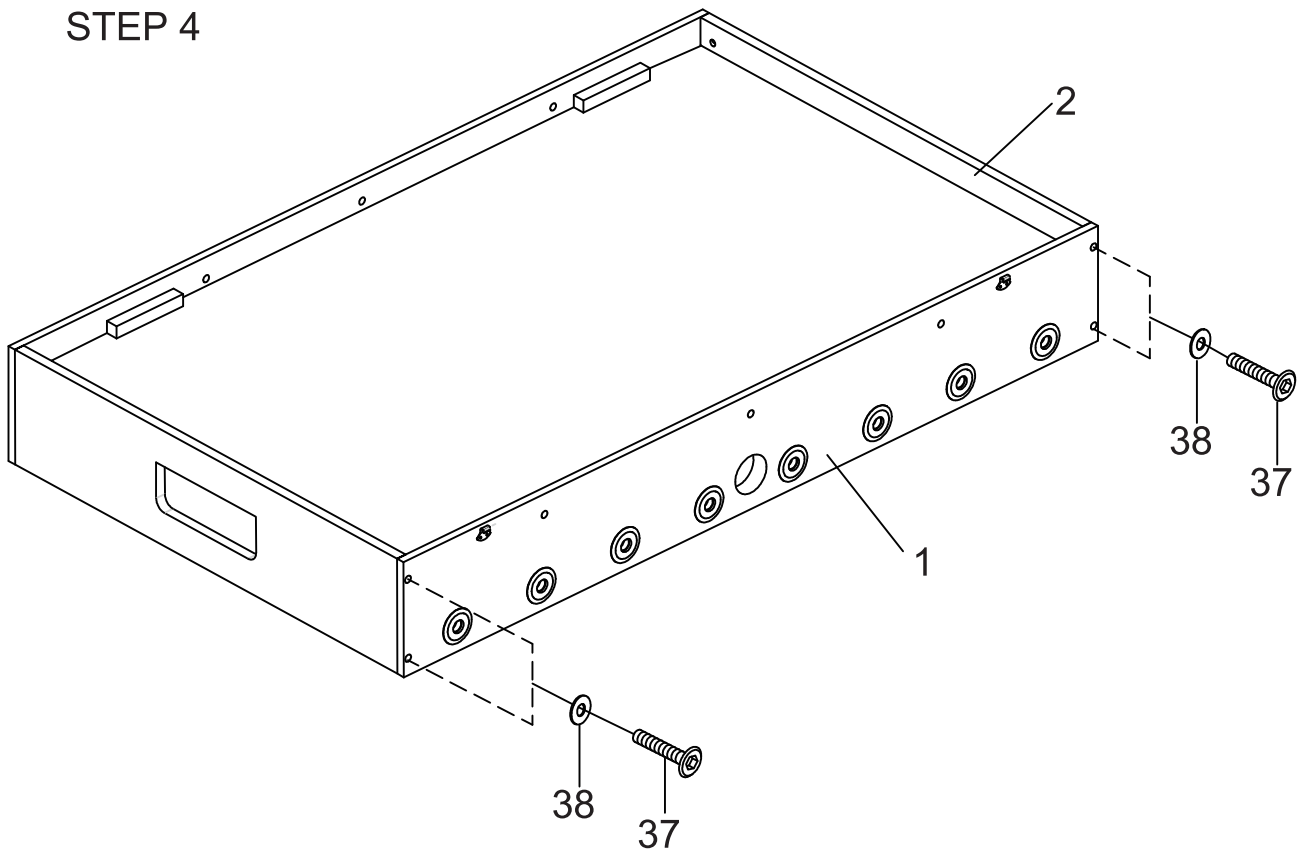
Assembly Instructions

WARNING: TWO ADULTS ARE NEEDED TO ASSEMBLE THE SOCCER TABLE

STEP 3



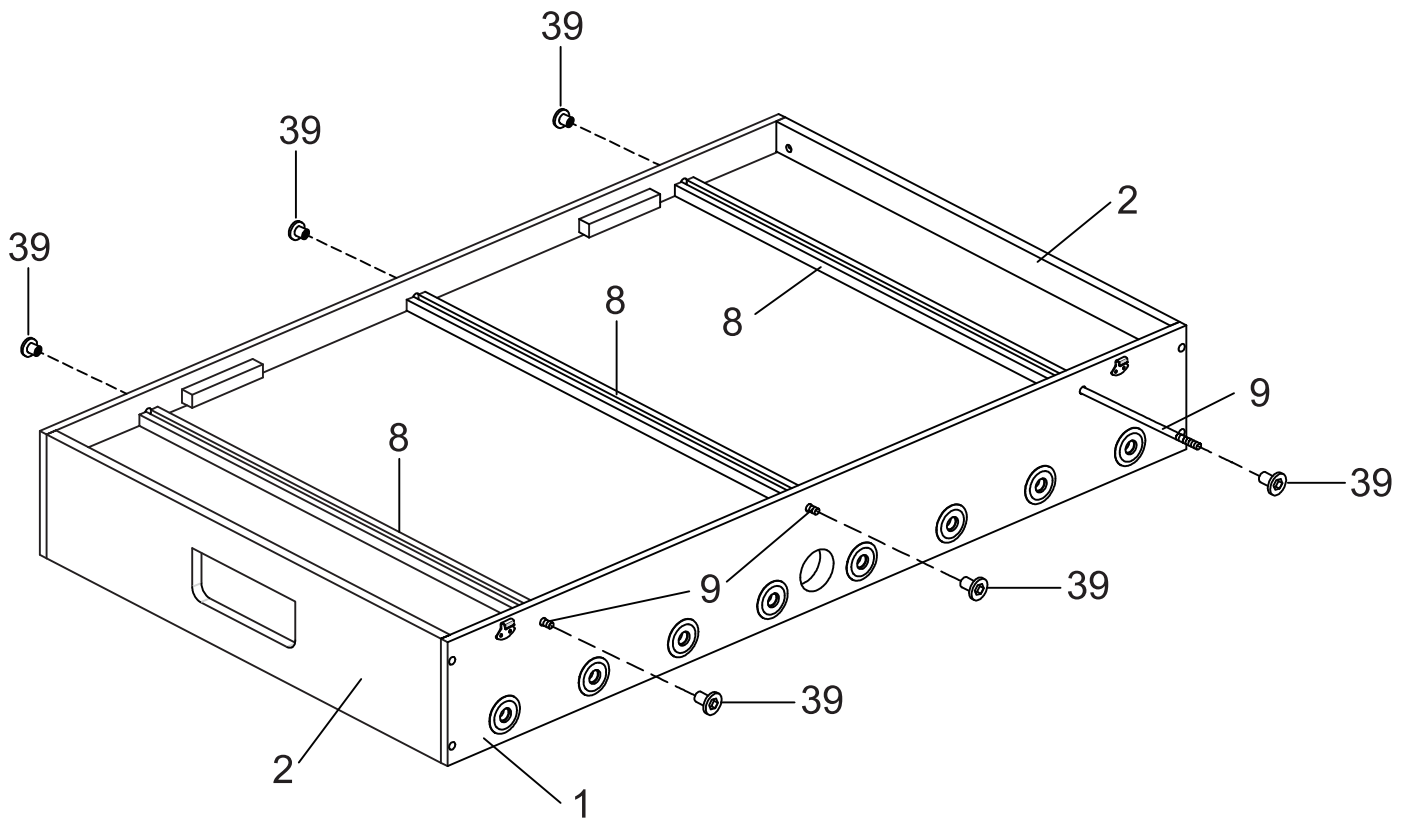
STEP 4



Assembly Instructions

WARNING: TWO ADULTS ARE NEEDED TO ASSEMBLE THE SOCCER TABLE

STEP 5

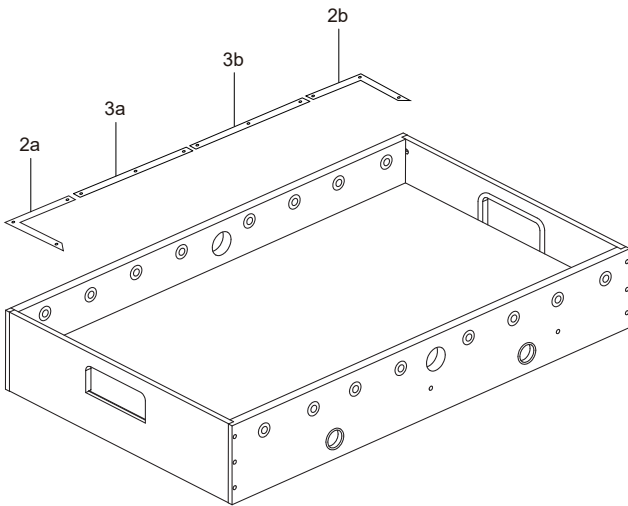


Assembly Instructions

WARNING: TWO ADULTS ARE NEEDED TO ASSEMBLE THE SOCCER TABLE

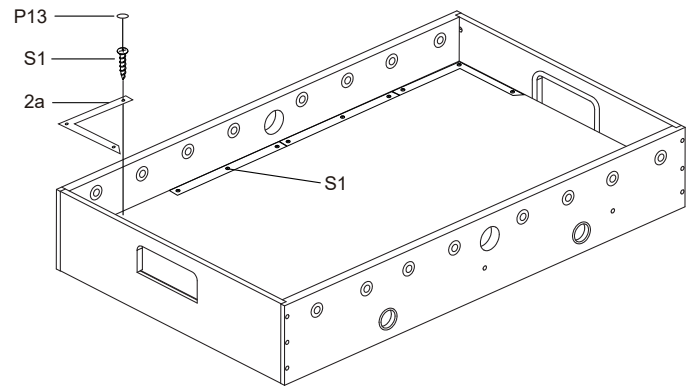
STEP 6A

Steps 6A to 6E are optional if you want.



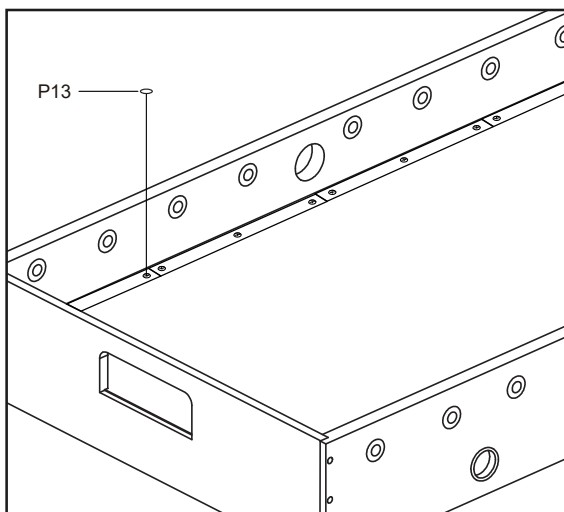
STEP 6B

Attach the plastic 2a, 2b, 3a, 3b to the playing field with S1.

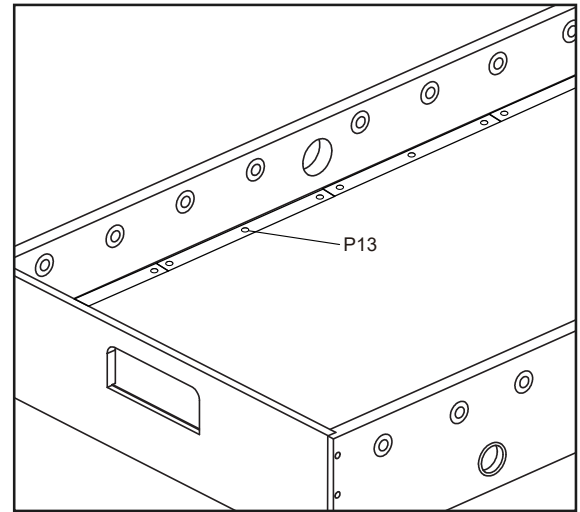


STEP 6C

Cover the Screw Hole Cap P13 to the screw hole.



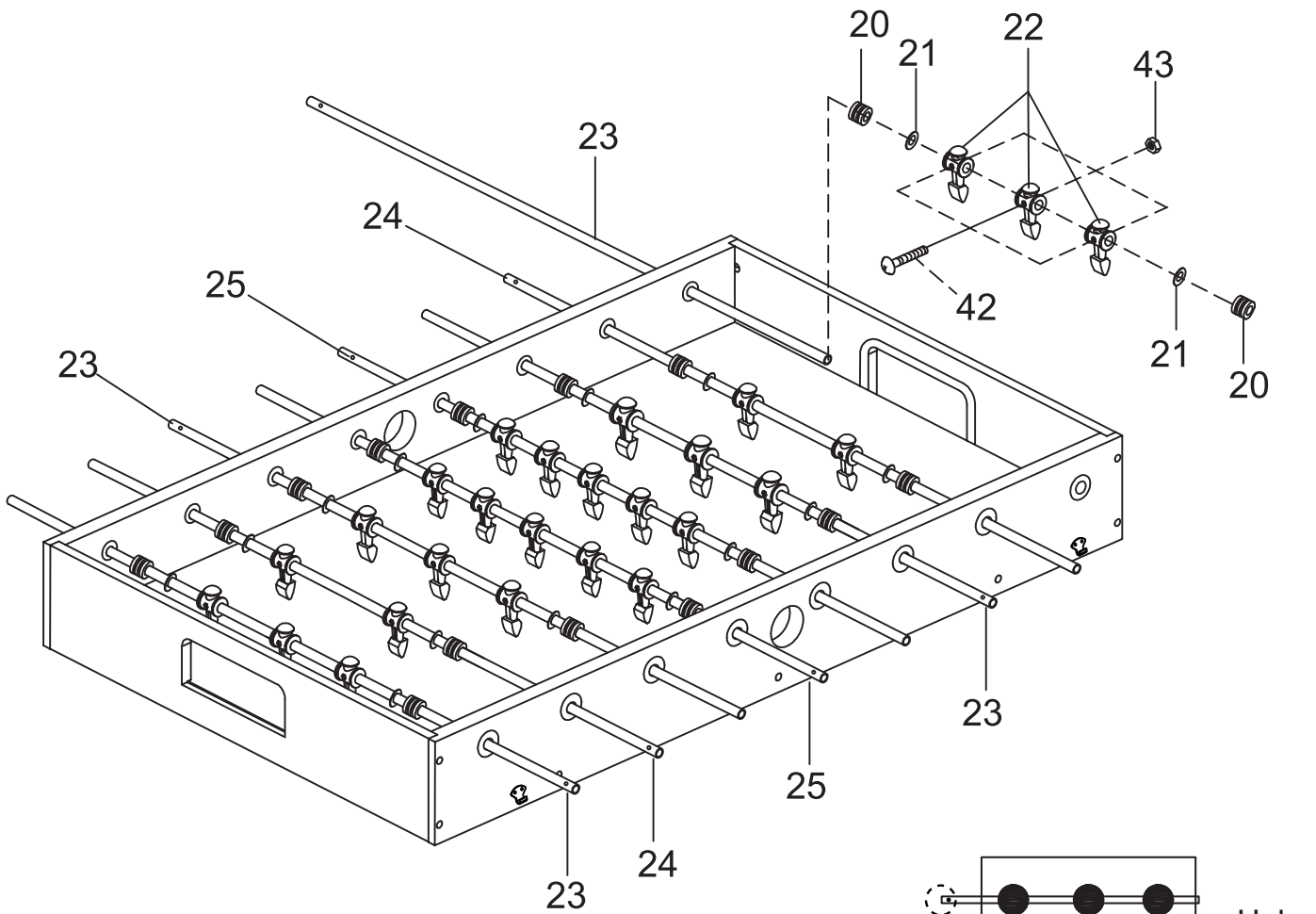
STEP 6D



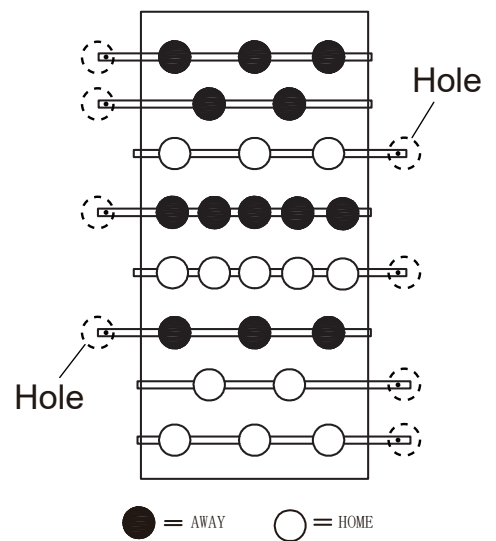
Assembly Instructions

WARNING: TWO ADULTS ARE NEEDED TO ASSEMBLE THE SOCCER TABLE

STEP 6E



Insert the rod end part way through one side panel, and then place the rest of the parts needed on each rod, in the order shown, before inserting through the other side panel.

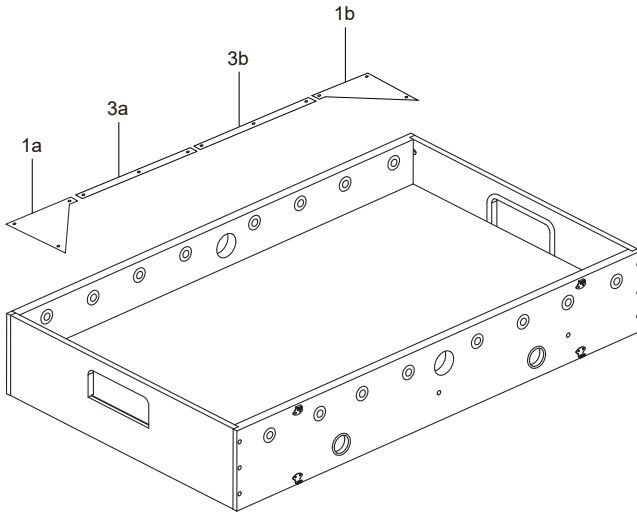


Assembly Instructions

WARNING: TWO ADULTS ARE NEEDED TO ASSEMBLE THE SOCCER TABLE

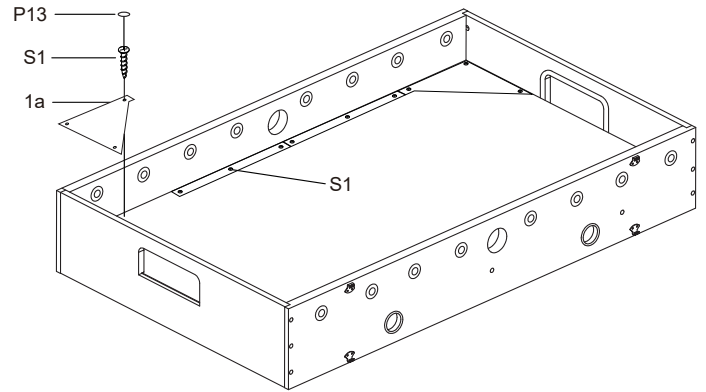
STEP 7A

Steps 7A to 7E are optional if you want.



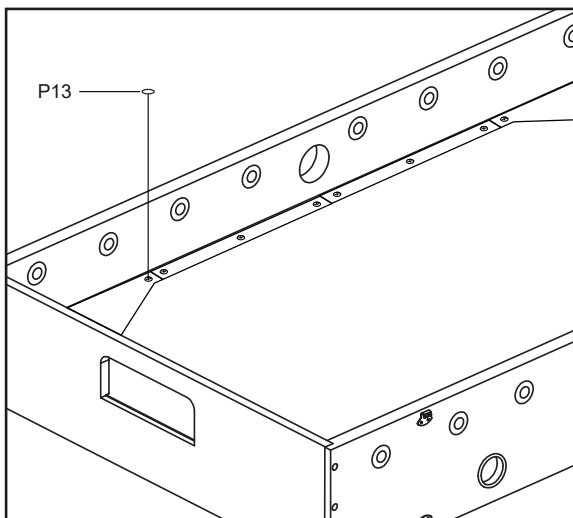
STEP 7B

Attach the plastic 1a, 1b, 3a, 3b to the playing field with S1.

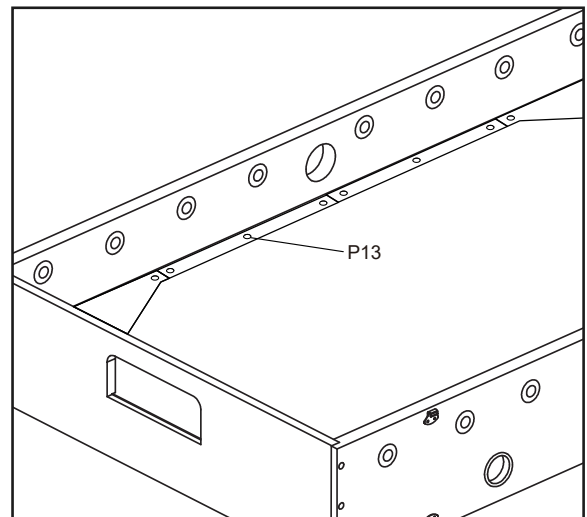


STEP 7C

Cover the Screw Hole Cap P13 to the screw hole.



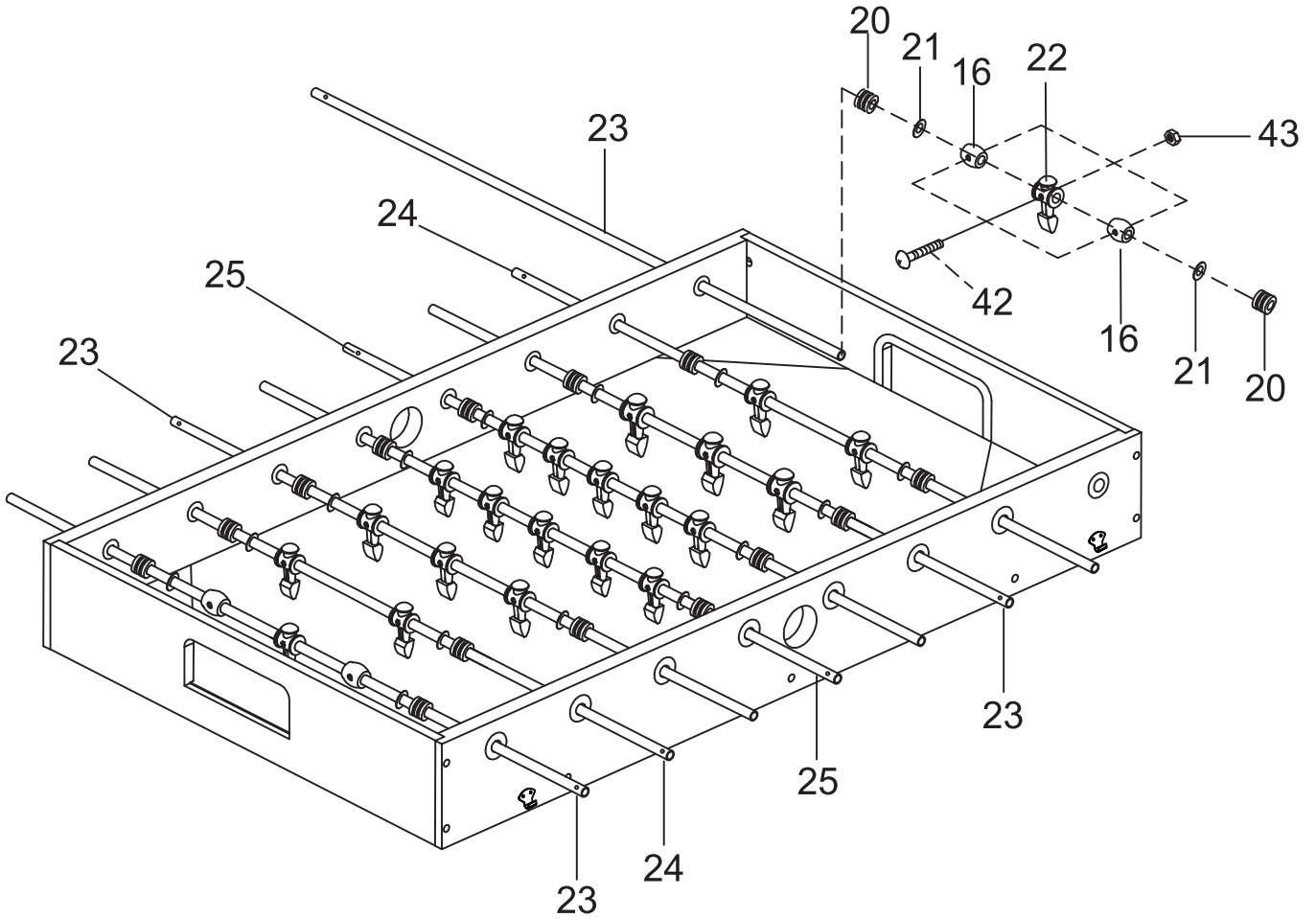
STEP 7D



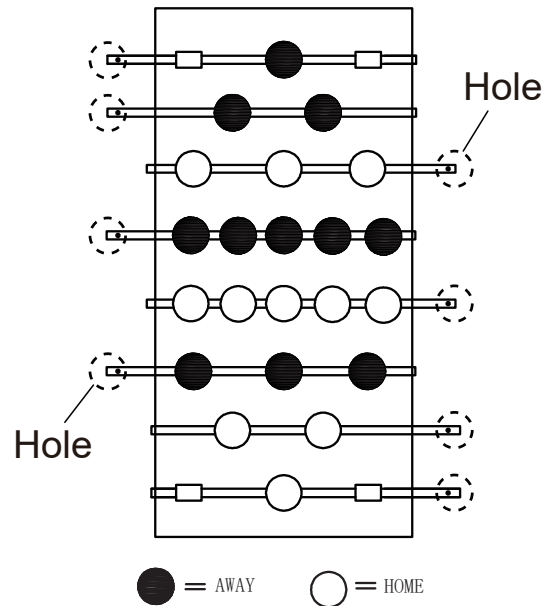
Assembly Instructions

WARNING: TWO ADULTS ARE NEEDED TO ASSEMBLE THE SOCCER TABLE

STEP 7E

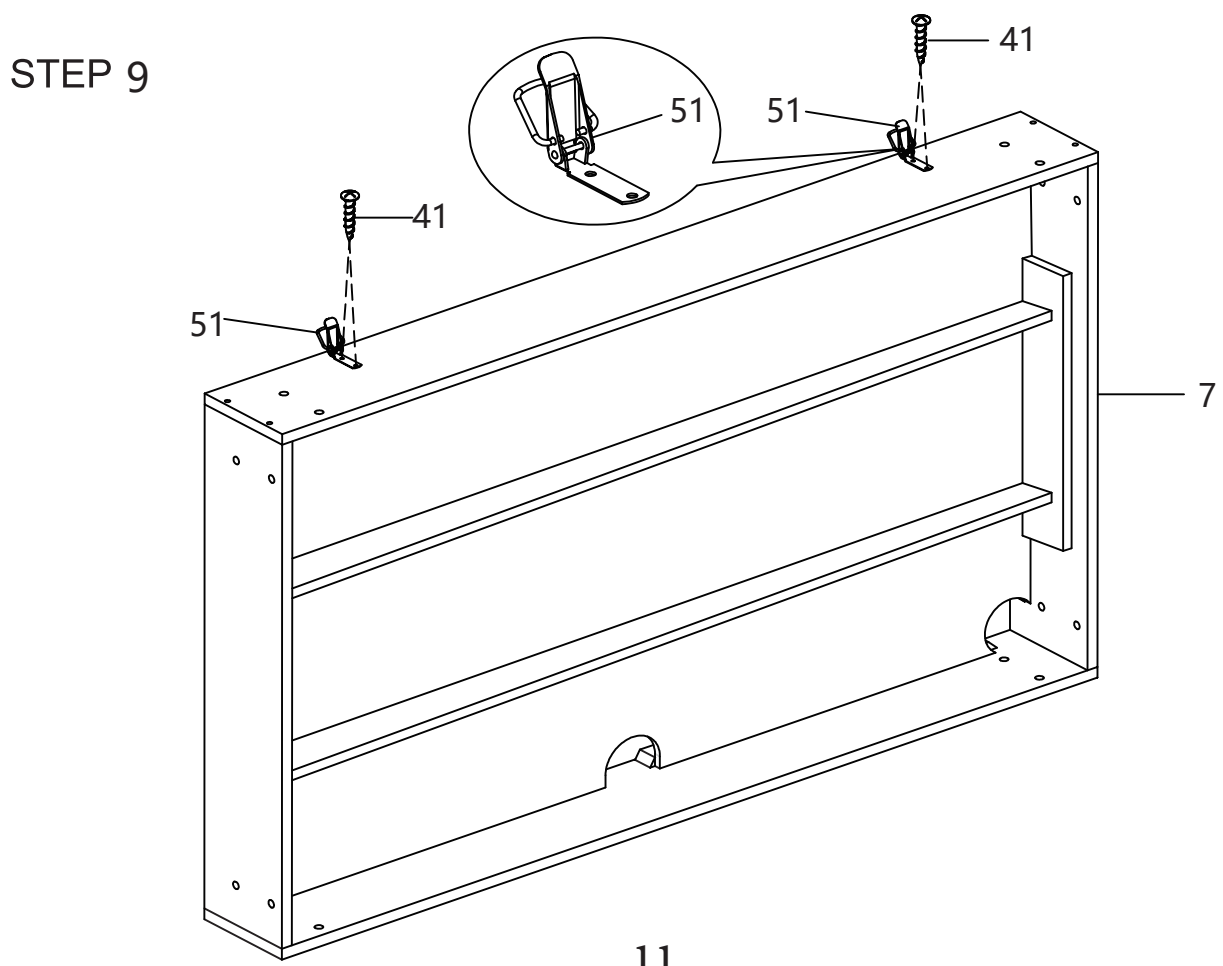
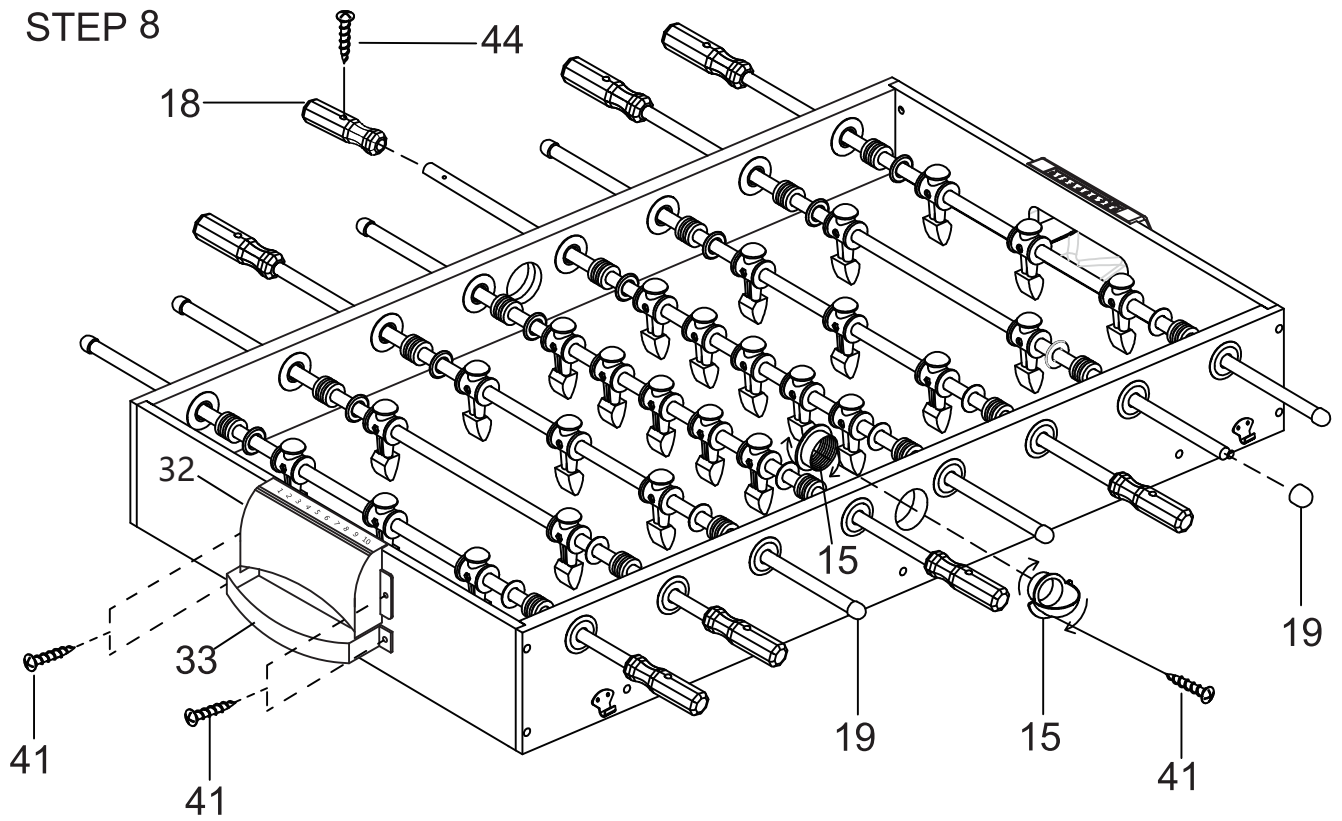


Insert the rod end part way through one side panel, and then place the rest of the parts needed on each rod, in the order shown, before inserting through the other side panel.



Assembly Instructions

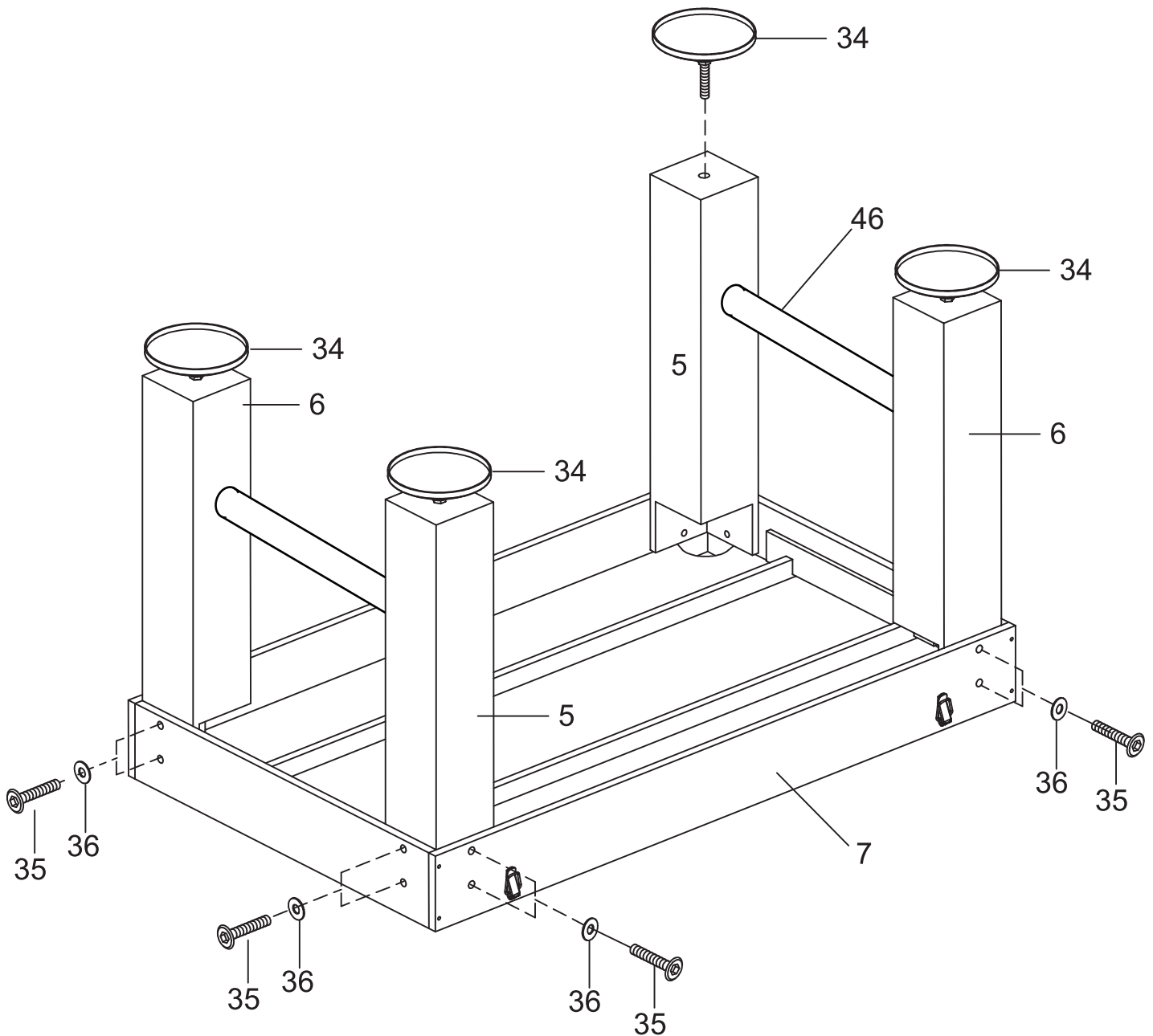
WARNING: TWO ADULTS ARE NEEDED TO ASSEMBLE THE SOCCER TABLE



Assembly Instructions

WARNING: TWO ADULTS ARE NEEDED TO ASSEMBLE THE SOCCER TABLE

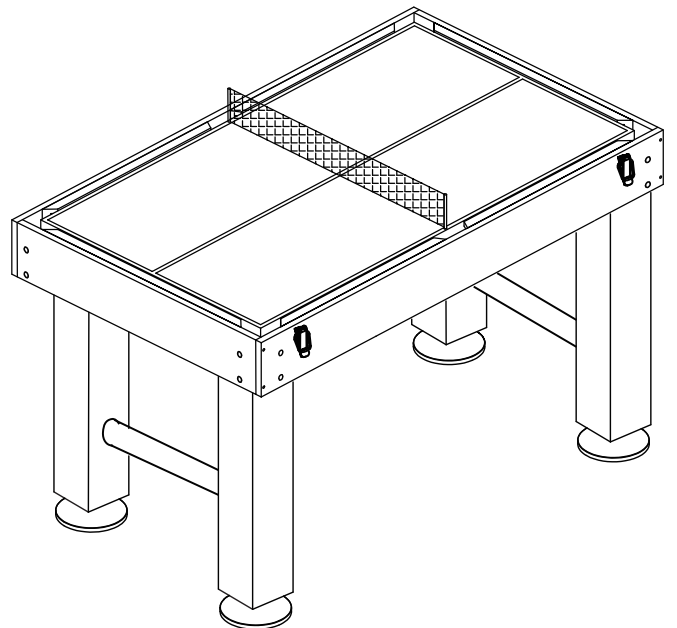
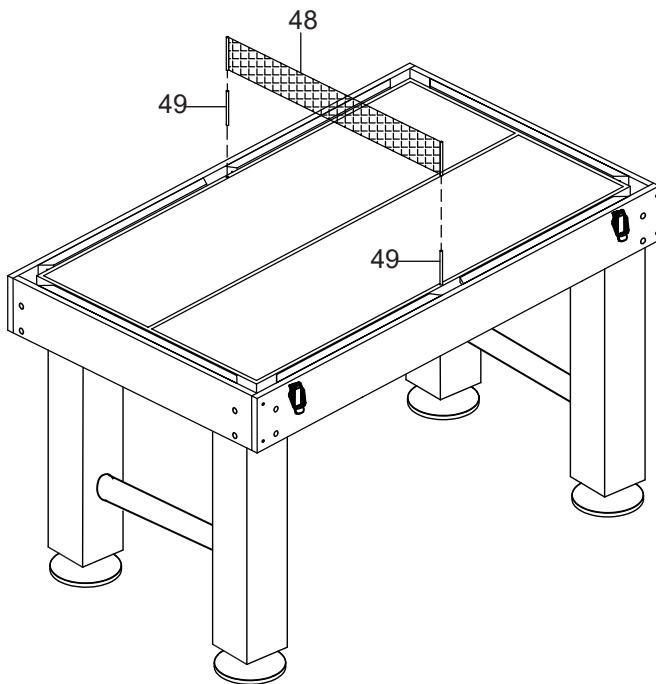
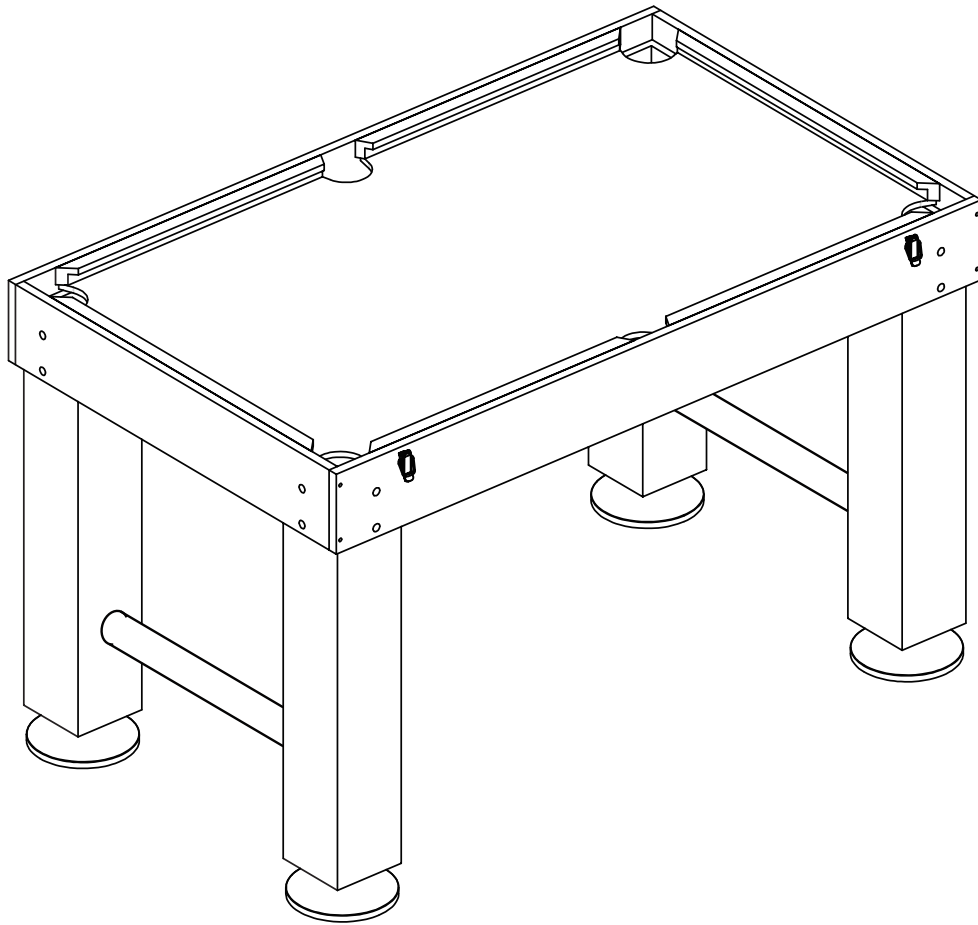
STEP 10



Assembly Instructions

WARNING: TWO ADULTS ARE NEEDED TO ASSEMBLE THE SOCCER TABLE

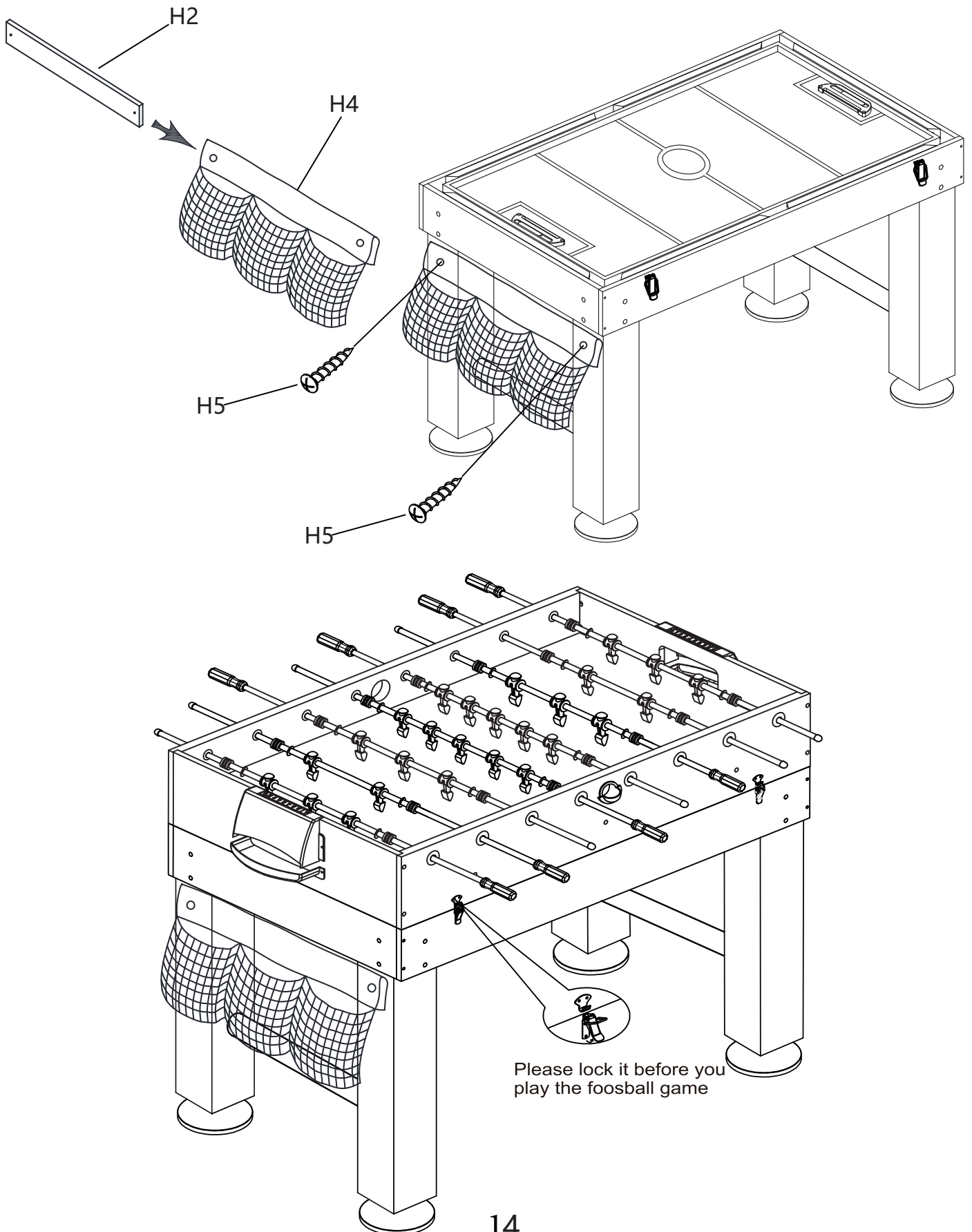
STEP 11



Assembly Instructions

WARNING: TWO ADULTS ARE NEEDED TO ASSEMBLE THE SOCCER TABLE

STEP 12



Assembly Instructions

WARNING: TWO ADULTS ARE NEEDED TO ASSEMBLE THE SOCCER TABLE

