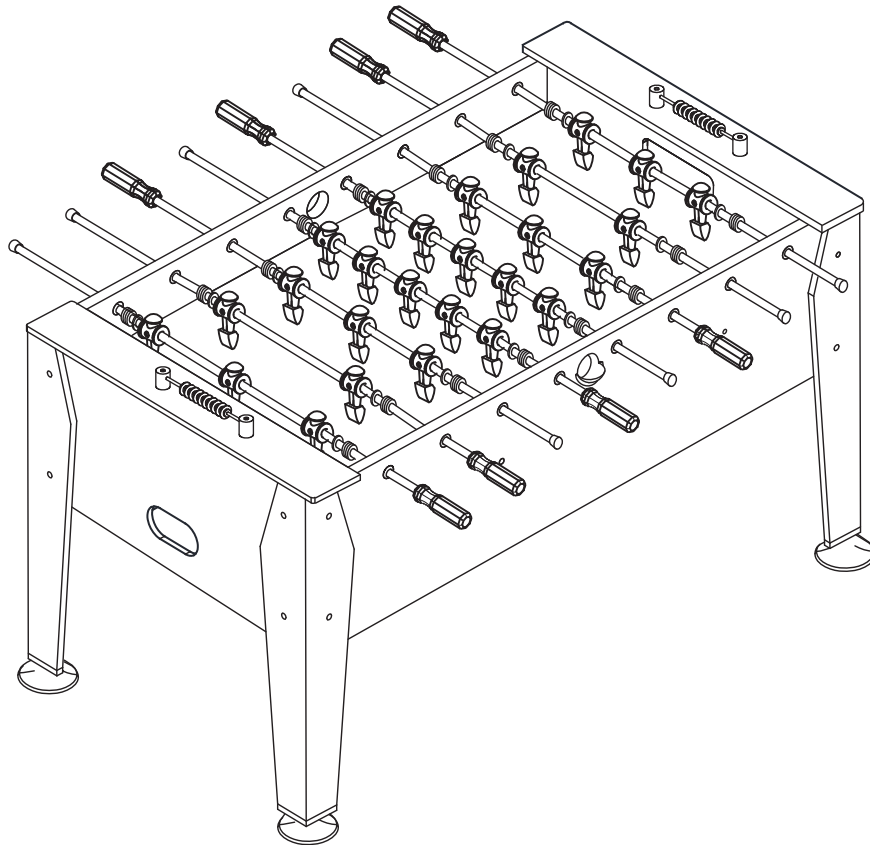




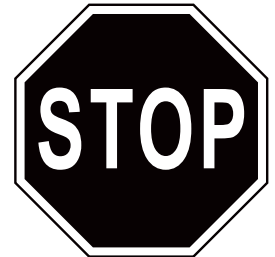
KICK Hades 55"
(Brown/Black)
FOOSBALL TABLE
ASSEMBLY INSTRUCTIONS



FY503

Assembly Instructions

WARNING: TWO ADULTS ARE NEEDED TO ASSEMBLE THE SOCCER TABLE



Official Website of KICK Foosball Tables



IF YOUR TABLE HAS DAMAGES, MISSING PARTS, OR YOU ARE NOT **100%** SATISFIED PLEASE CONTACT **KICK, NOT THE RESELLER.**

← SCAN THIS QR CODE TO CONTACT US IF YOU FACE ANY ISSUES.

FOR THE LATEST INSTRUCTION MANUALS, VIDEOS, TABLE ASSEMBLY INFO, DIFFERENT GOALIE SETUPS, PLAYER TYPES, AND OTHER HELPFUL TIPS - PLEASE VISIT THE LINK BELOW OR SCAN THIS QR CODE →

www.KICKFoosballTables.com/Instructions/



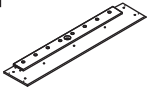
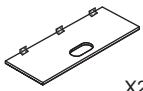
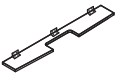
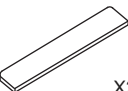
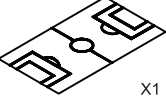
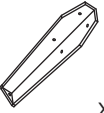
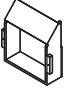


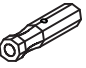


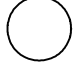

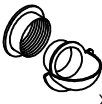

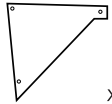
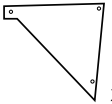
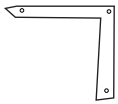
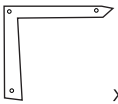
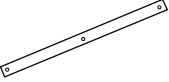
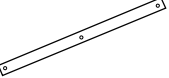
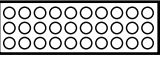











CONTACT INFORMATION:

Email: Support@KICKFoosballTables.com
Website: www.KICKFoosballTables.com
Phone: 1 (866) 844-KICK (5425) or (210) 664-8934





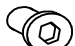


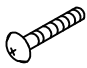
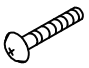






MAILING ADDRESS:

KICK Sports
PO Box 790311
San Antonio, Texas 78279

PARTS LIST

1  X2 SIDE PANEL	2  X2 END PANEL	3  X2 GOAL BOARD	4  X2 TOP RAIL	5  X1 PLAYFIELD	6  X4 LEG	7  X2 GOAL BOX
8  X3 SUPPORT BRACE	9  X3 SUPPORT ROD	10  X8 ROD HANDLE	11  X8 ROD END CAP	12A  X2 SOCCER BALL	12B  X2 SOCCER BALL	12C  X2 SOCCER BALL
13  X2 BALL ENTRY CUP	14  X4 STOP RING	1a  X2 TRIANGLE a	1b  X2 TRIANGLE b	2a  X2 L STYLE PLASTIC a	2b  X2 L STYLE PLASTIC b	3a  X2 LONG PLASTIC a
3b  X2 LONG PLASTIC b	P13 1 SET  SCREW COVERS (to cover the hole of the screws S1)	15  X16 ROD BUMPER	16  X16 ROD WASHER	22a  X13 PLAYER	22b  X13 PLAYER	22c  X13 PLAYER
22d  X13 PLAYER	23  X4 3 PLAYER ROD	24  X2 2 PLAYER ROD	25  X2 5 PLAYER ROD	26  X2 SLIDE SCORER	27  X4 LEG LEVELER	

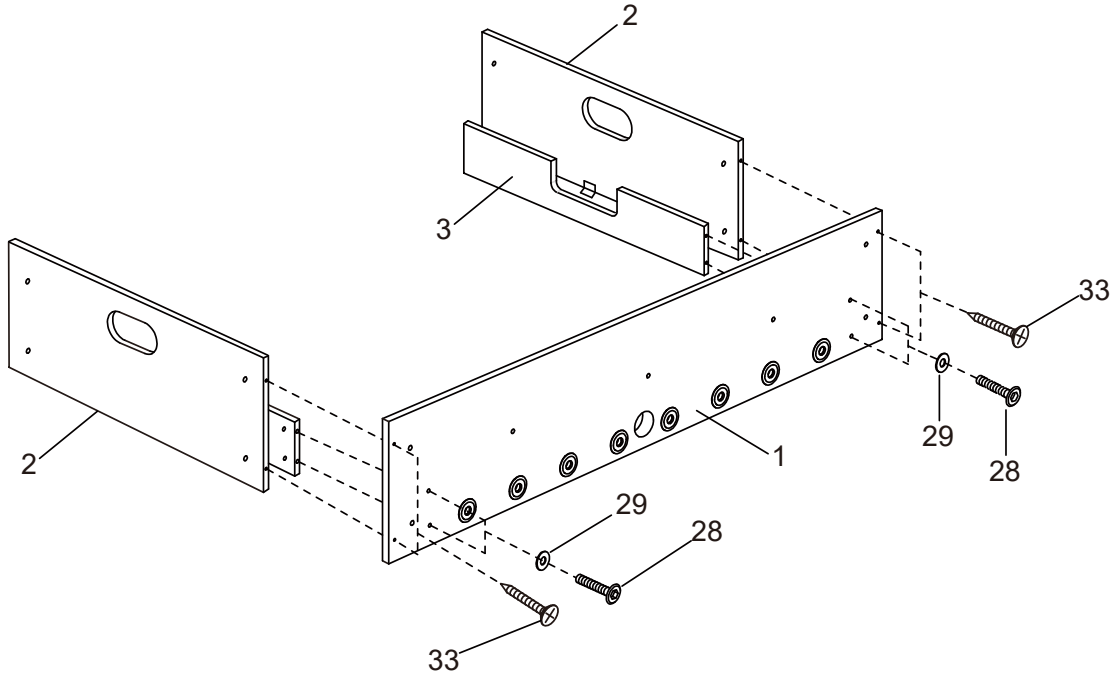
HARDWARE

28 X8  1/4" x 1-3/4" BOLT	29 X8  1/4" WASHER	30 X16  5/16" x 1-1/2" BOLT	31 X16  5/16" WASHER	32 X6  1/4" NUT	33 X12  1/8" X 2" SCREWS	34 X12  1/8" X 1" SCREWS
35a X26  5/32" x 1-1/8" BOLT	35b X26  5/32" x 1-1/8" BOLT	36a X26  5/32" NUT	36b X26  5/32" NUT	37 X26  1/8" X 1/2" SCREWS	38 X8  1/8" X 3/4" SCREWS	39 X2  ALLEN WRENCH
S1 X36  1/2" FLAT HEAD SCREWS						

Assembly Instructions

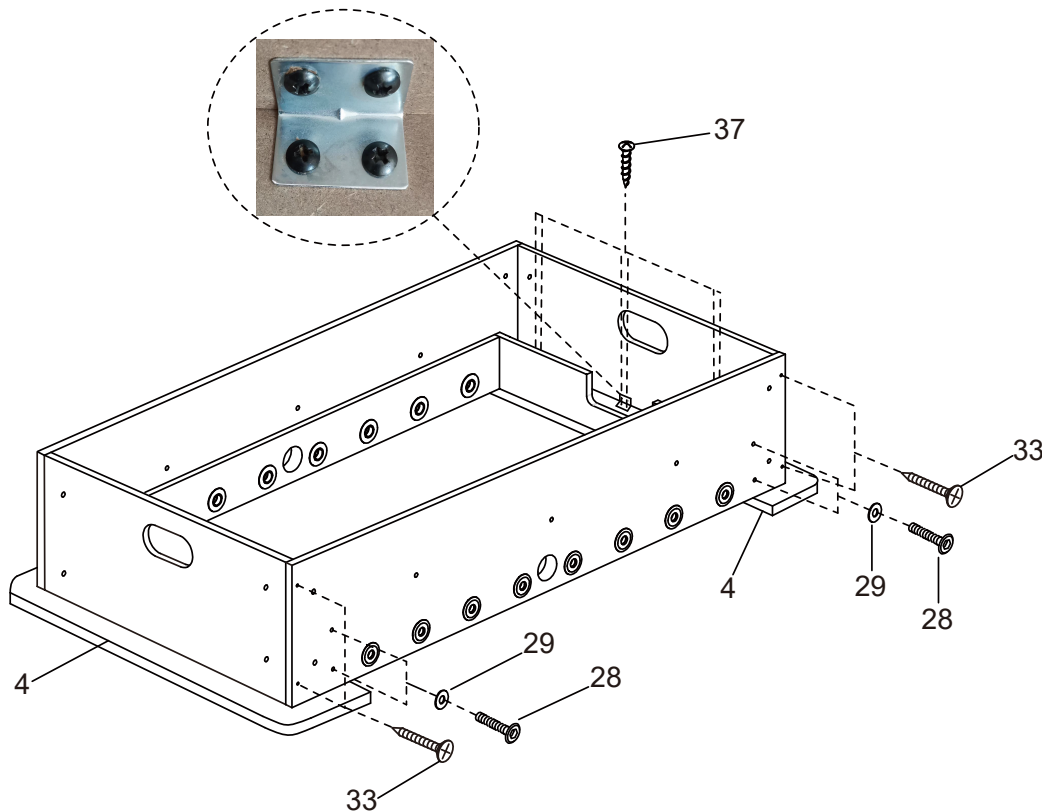
WARNING: TWO ADULTS ARE NEEDED TO ASSEMBLE THE SOCCER TABLE

STEP 1 Attach the End Panel (#2) and the Goal Board (#3) to the Side Panel (#1) by using the Screw (#33), Bolt (#28), and the Washer (#29).



STEP 2 Attach the other one of the 2 Side Panels (#1) to the End Panel (#2) and Goal Board (#3) by using the Screw (#33), Bolt (#28), and the Washer (#29).

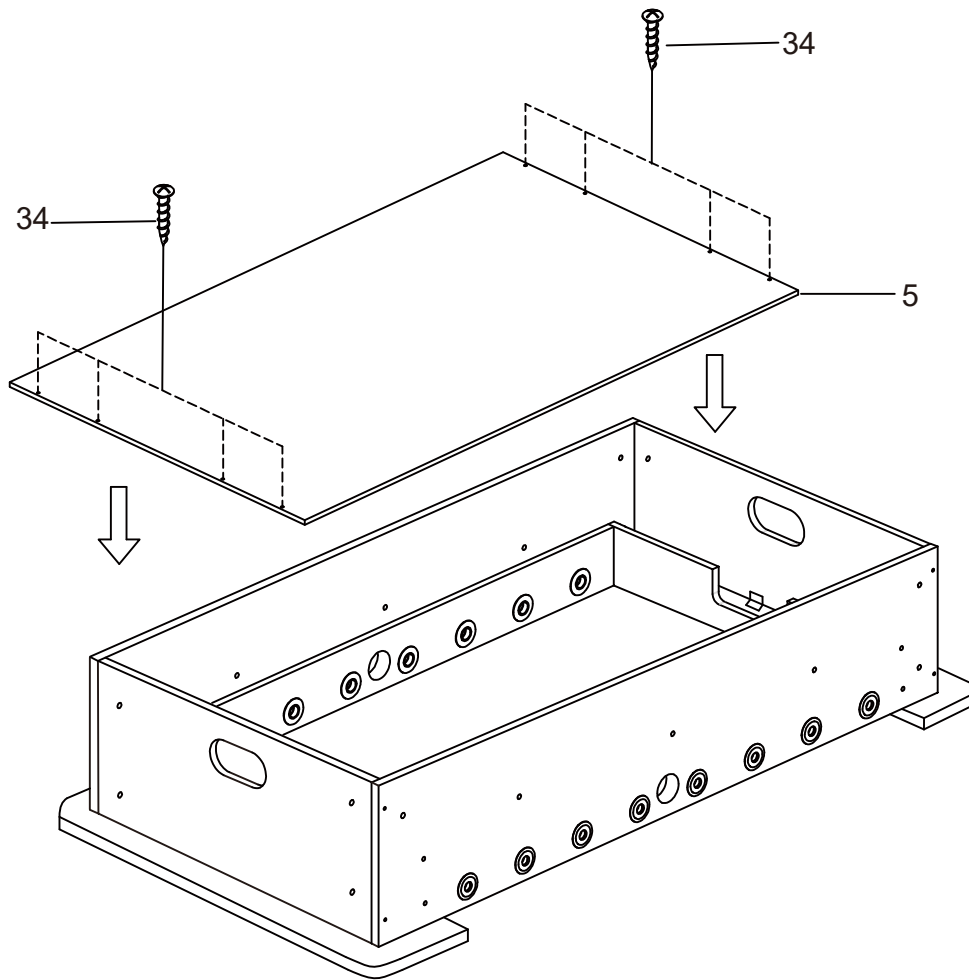
Attach the Top Rail (#4) to the End Panel (#2) and the Goal Board (#3), by using the pre-installed metal brackets on the end panel, and the Screw (#37).



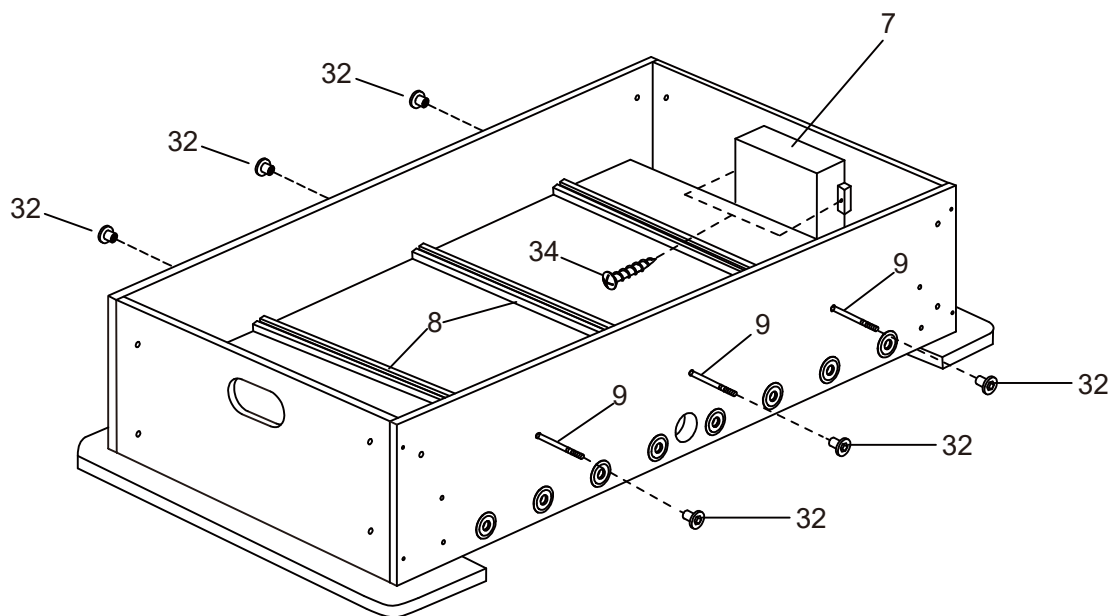
Assembly Instructions

WARNING: TWO ADULTS ARE NEEDED TO ASSEMBLE THE SOCCER TABLE

STEP 3



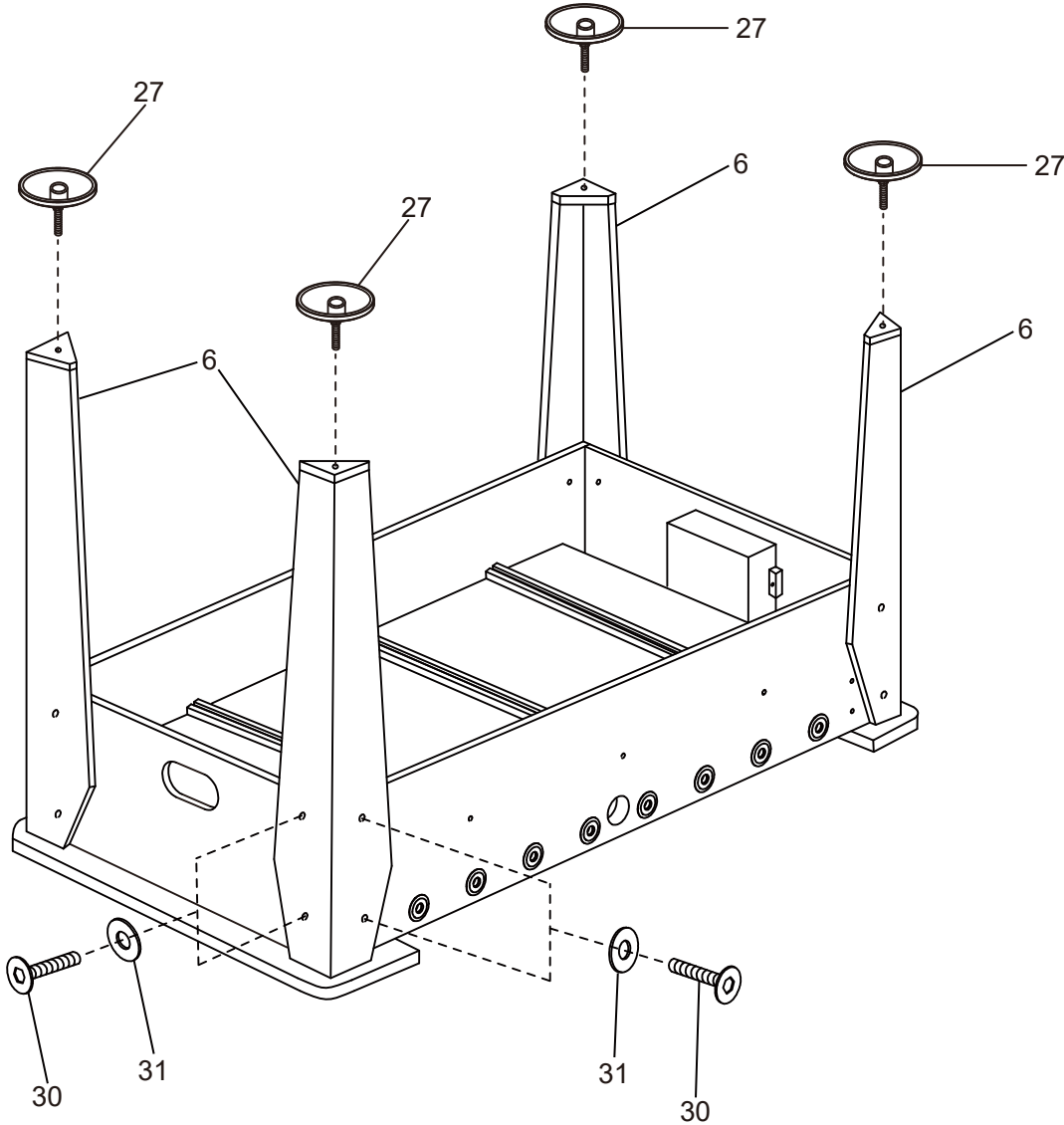
STEP 4



Assembly Instructions

WARNING: TWO ADULTS ARE NEEDED TO ASSEMBLE THE SOCCER TABLE

STEP 5

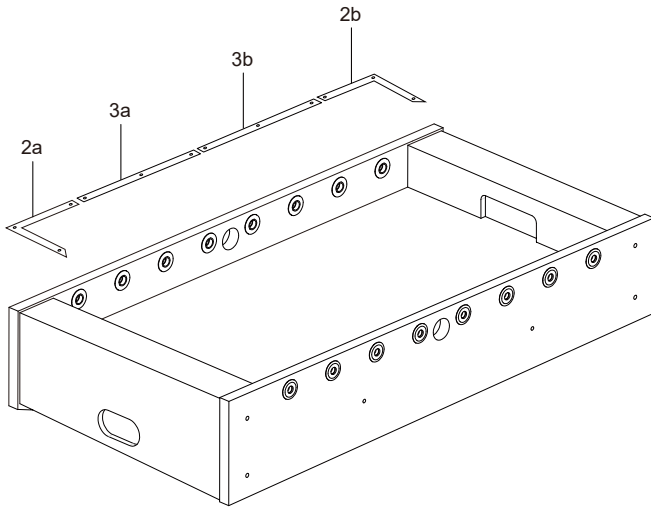


Assembly Instructions

WARNING: TWO ADULTS ARE NEEDED TO ASSEMBLE THE SOCCER TABLE

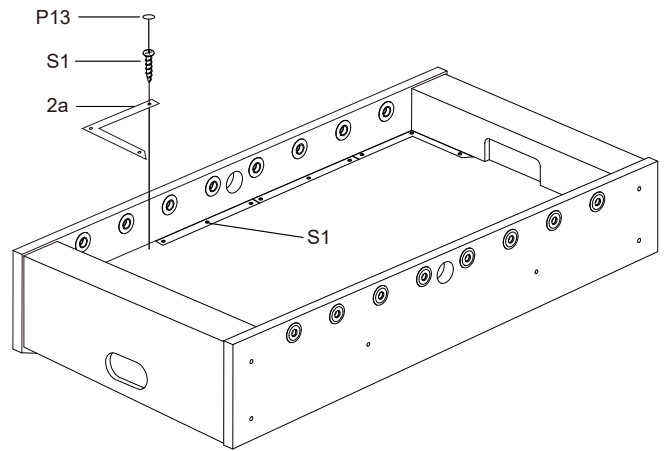
STEP 6A

Steps 6A to 6E are optional if you want.



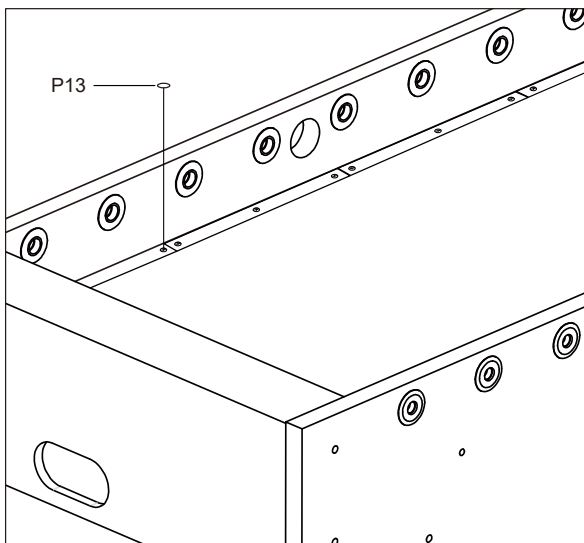
STEP 6B

Attach the plastic 2a, 2b, 3a, 3b to the playing field with S1.

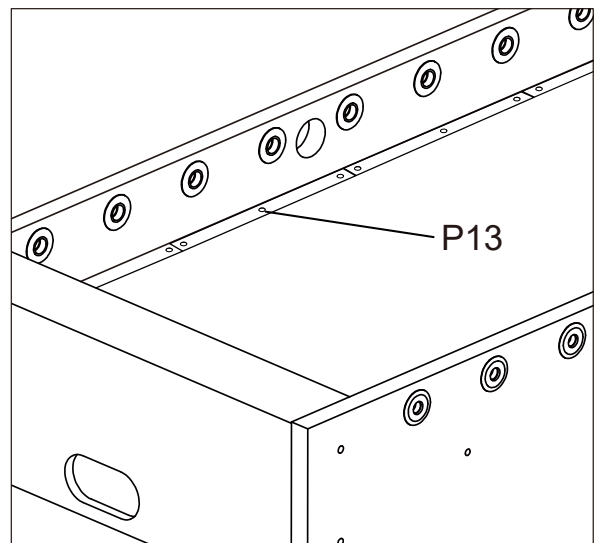


STEP 6C

Cover the Screw Hole Cap P13 to the screw hole.



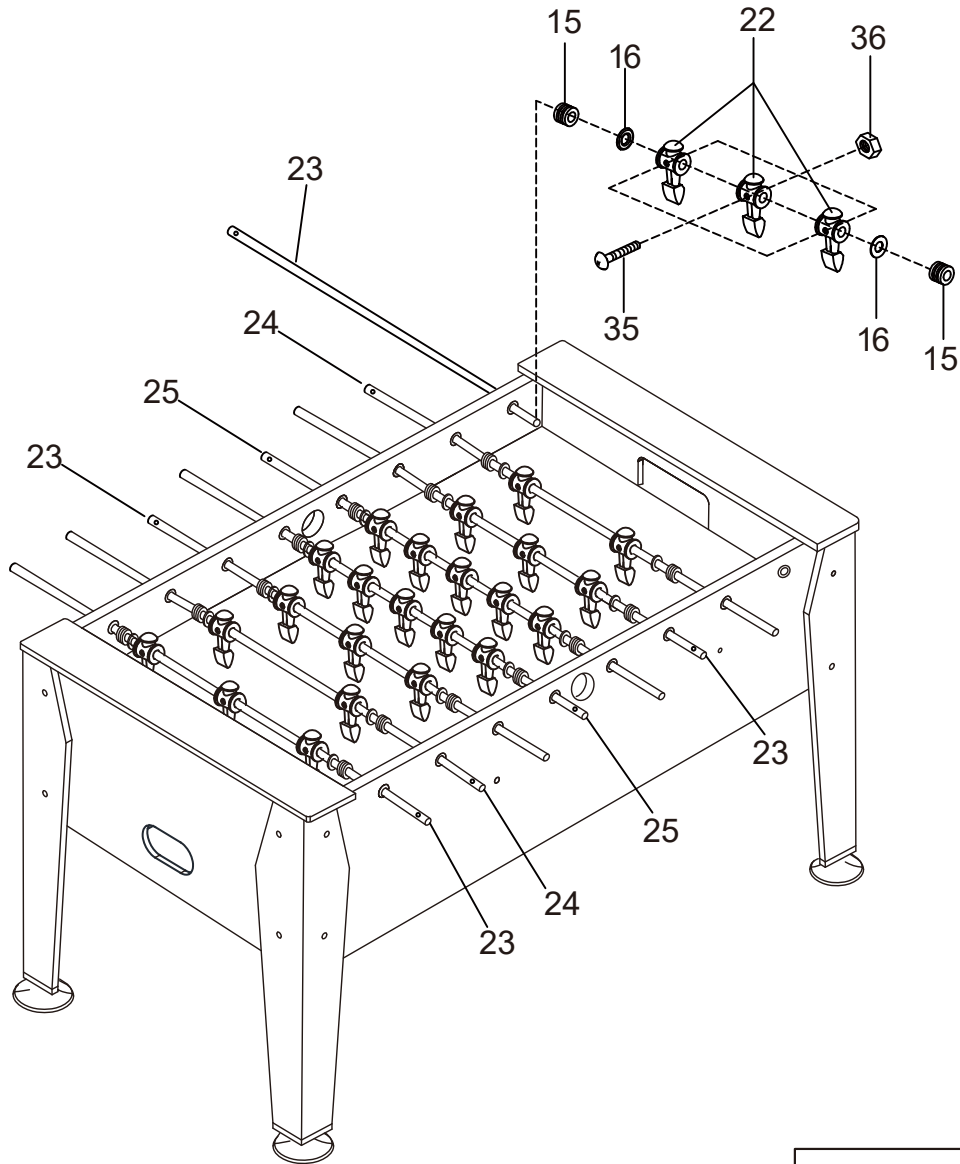
STEP 6D



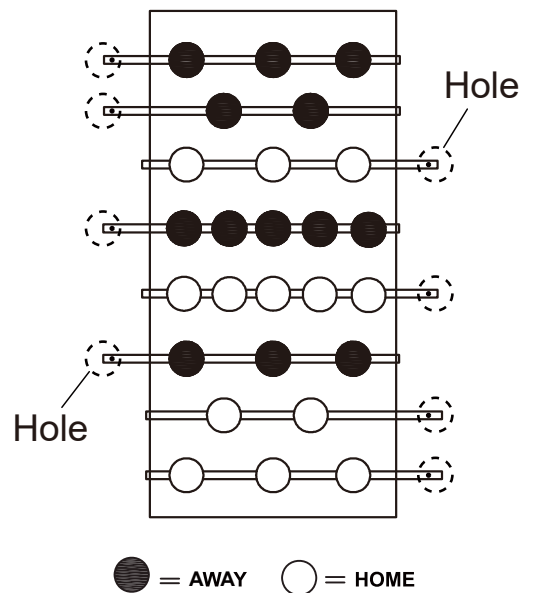
Assembly Instructions

WARNING: TWO ADULTS ARE NEEDED TO ASSEMBLE THE SOCCER TABLE

STEP 6E



Insert the rod end part way through one side panel, and then place the rest of the parts needed on each rod, in the order shown, before inserting through the other side panel.

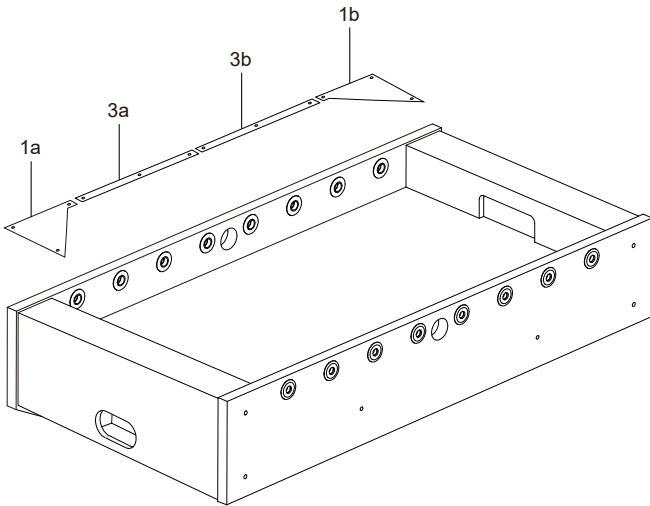


Assembly Instructions

WARNING: TWO ADULTS ARE NEEDED TO ASSEMBLE THE SOCCER TABLE

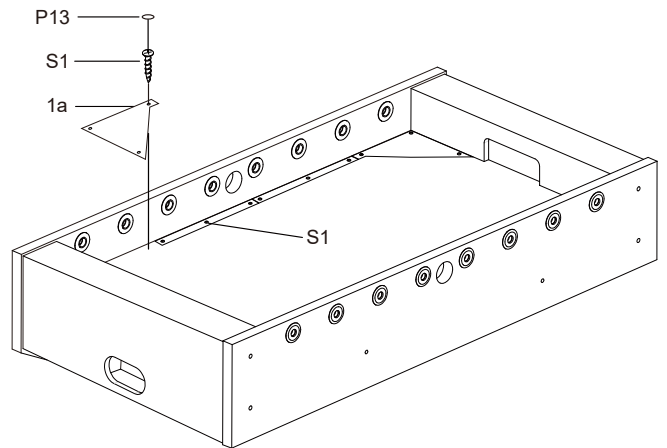
STEP 7A

Steps 7A to 7E are optional if you want.



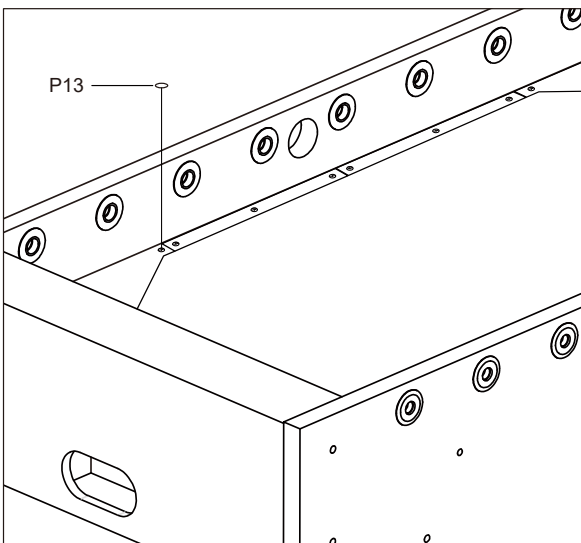
STEP 7B

Attach the plastic 1a, 1b, 3a, 3b to the playing field with S1.

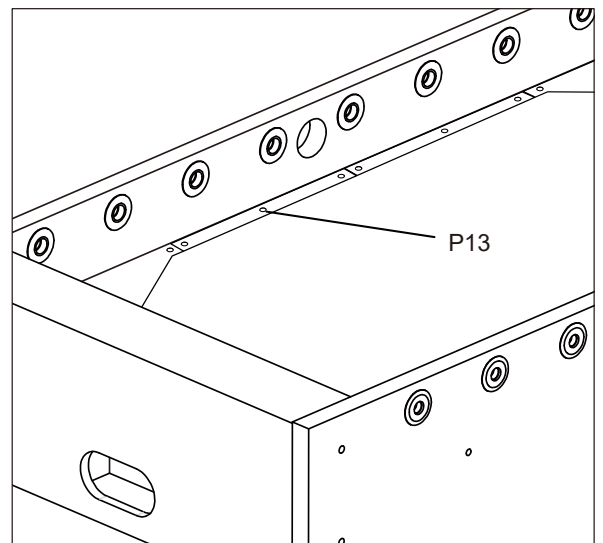


STEP 7C

Cover the Screw Hole Cap P13 to the screw hole.



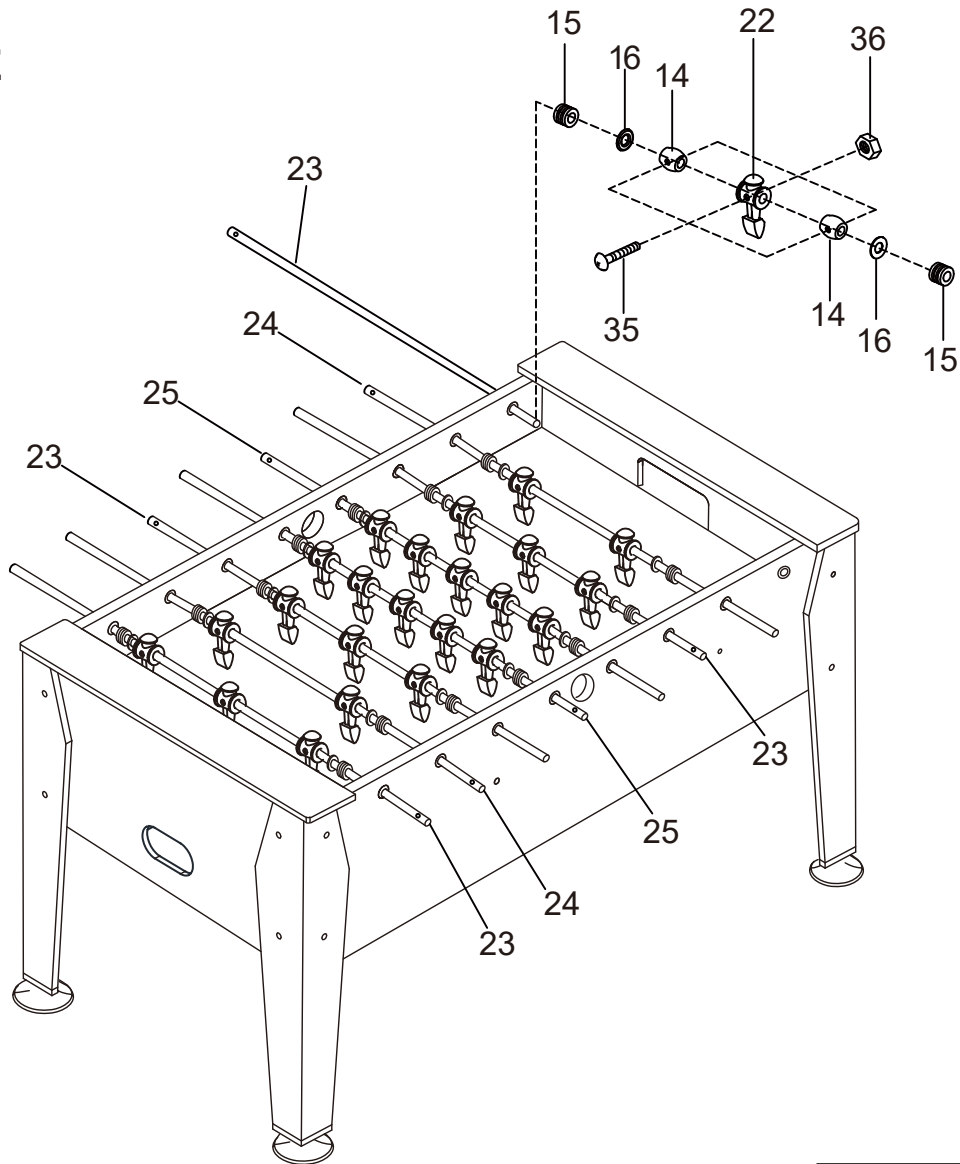
STEP 7D



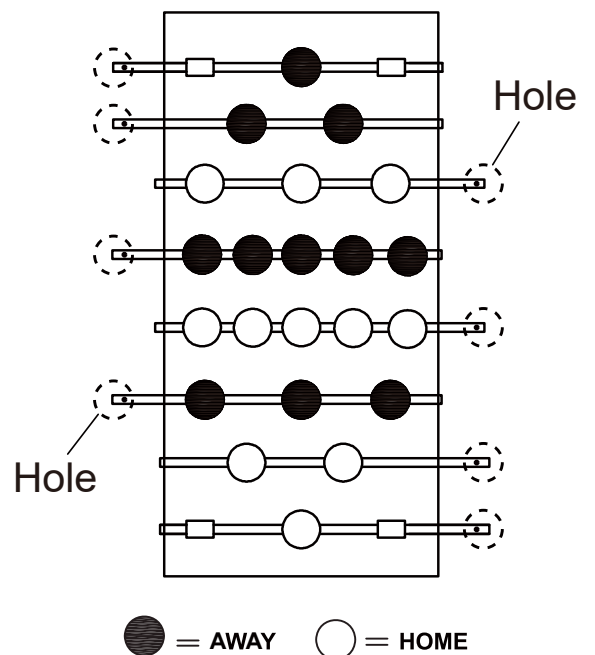
Assembly Instructions

WARNING: TWO ADULTS ARE NEEDED TO ASSEMBLE THE SOCCER TABLE

STEP 7E



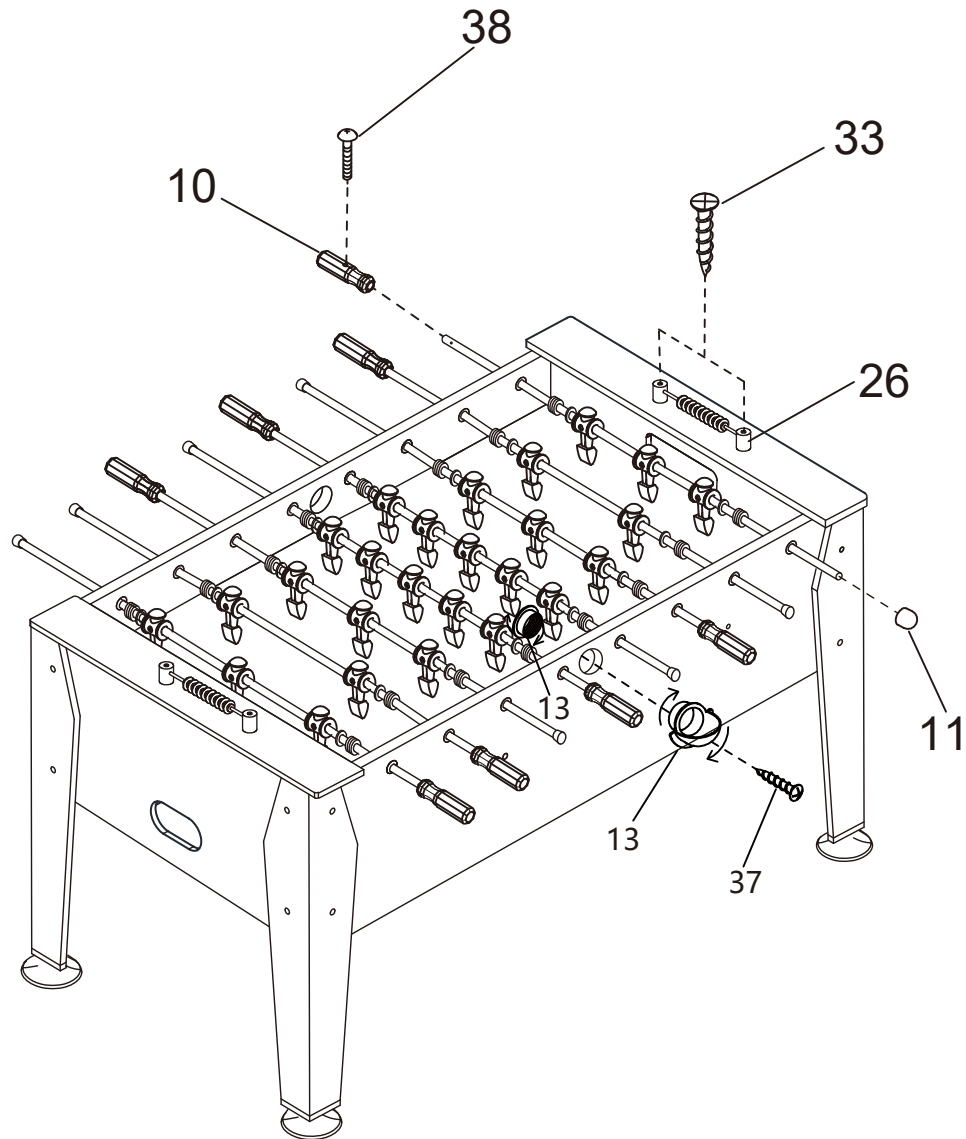
Insert the rod end part way through one side panel, and then place the rest of the parts needed on each rod, in the order shown, before inserting through the other side panel.



Assembly Instructions

WARNING: TWO ADULTS ARE NEEDED TO ASSEMBLE THE SOCCER TABLE

STEP 8



NOTE: Handle (10) attaches to rod end with hole and Rod End Cap (11) goes on opposite end. Each team should **face the opposite goal** and all be the **same color**. See diagram above for rod and player positions.