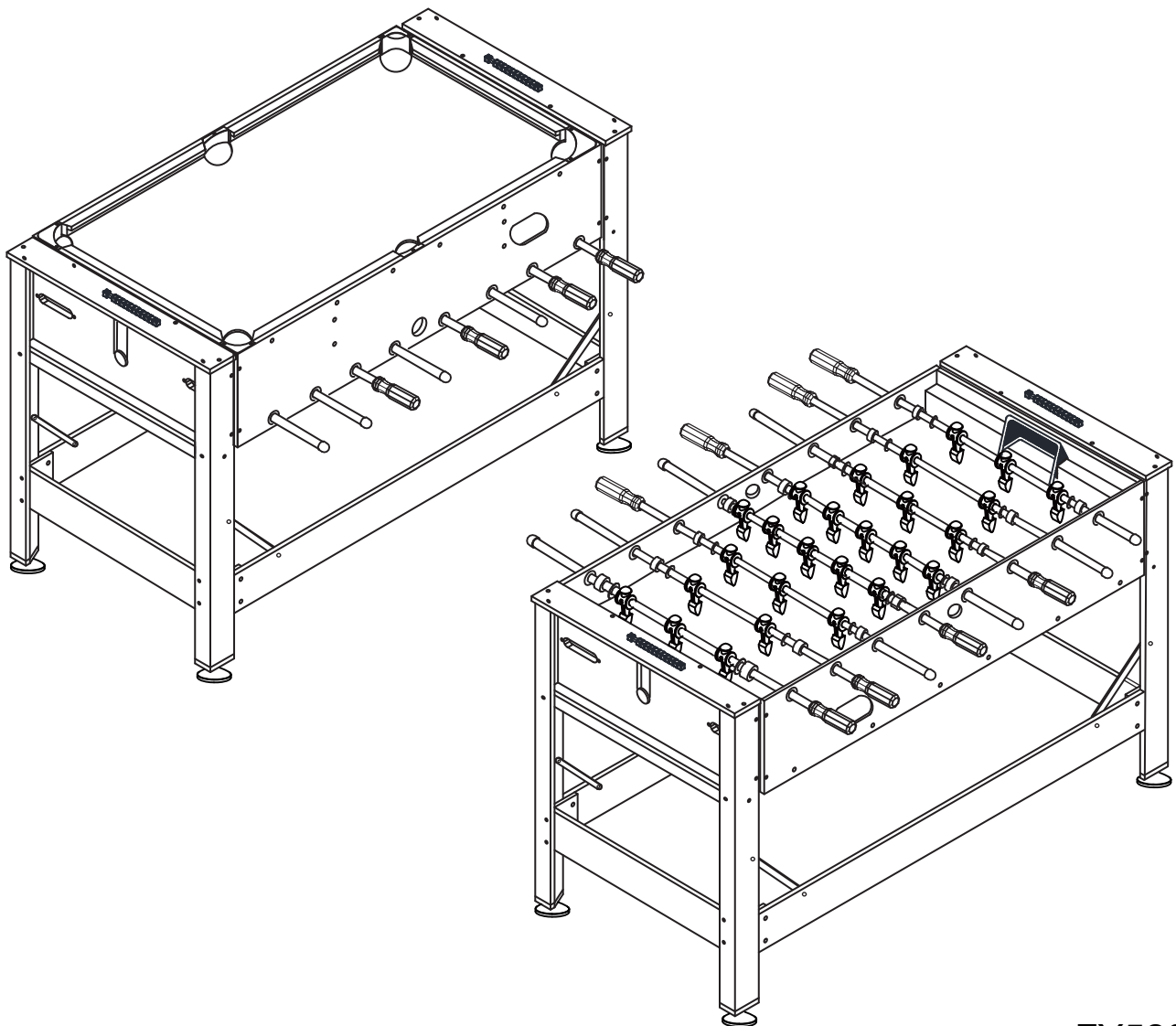




KICK Dyad 55"

(Brown/Black)

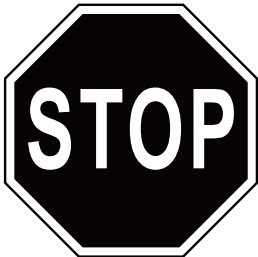
2 IN 1 MULTI-GAME SWIVEL FOOSBALL TABLE
ASSEMBLY INSTRUCTIONS



FY520

Assembly Instructions

WARNING: TWO ADULTS ARE NEEDED TO ASSEMBLE THE SOCCER TABLE



Official Website of KICK Foosball Tables



IF YOUR TABLE HAS DAMAGES, MISSING PARTS, OR YOU ARE NOT **100%** SATISFIED PLEASE CONTACT **KICK, NOT THE RESELLER.**

← SCAN THIS QR CODE TO CONTACT US IF YOU FACE ANY ISSUES.

FOR THE LATEST INSTRUCTION MANUALS, VIDEOS, TABLE ASSEMBLY INFO, DIFFERENT GOALIE SETUPS, PLAYER TYPES, AND OTHER HELPFUL TIPS - PLEASE VISIT THE LINK BELOW OR SCAN THIS QR CODE →

www.KICKFoosballTables.com/Instructions/




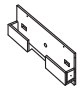
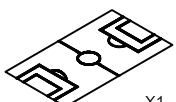
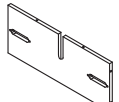



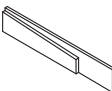


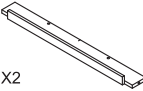
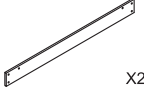

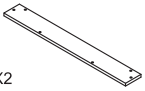
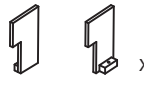
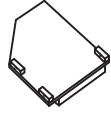
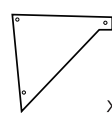
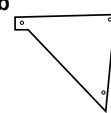
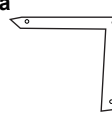
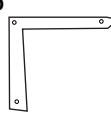
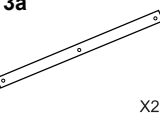
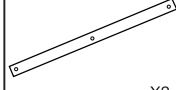
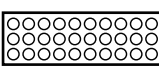
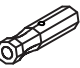









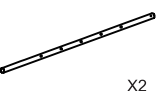




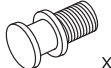



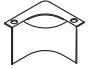



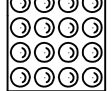



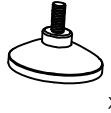



CONTACT INFORMATION:

Email: Support@KICKFoosballTables.com
Website: www.KICKFoosballTables.com
Phone: 1 (866) 844-KICK (5425) or (210) 664-8934















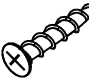
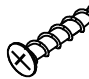
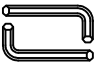





MAILING ADDRESS:

KICK Sports
PO Box 790311
San Antonio, Texas 78279

PARTS LIST

<p>1</p>  <p>X2</p> <p>SIDE PANEL</p>	<p>2</p>  <p>X2</p> <p>END PANEL</p>	<p>3</p>  <p>X1</p> <p>PLAYFIELD</p>	<p>4</p>  <p>X2</p> <p>LEG PANEL</p>	<p>5</p>  <p>X2</p> <p>RIGHT LEG</p>	<p>6</p>  <p>X2</p> <p>LEFT LEG</p>	<p>7</p>  <p>X1</p> <p>BILLIARD TABLE</p>
<p>8</p>  <p>X2</p> <p>SUPPORT BRACE</p>	<p>9</p>  <p>X3</p> <p>SUPPORT BRACE</p>	<p>10</p>  <p>X3</p> <p>SUPPORT ROD</p>	<p>11</p>  <p>X2</p> <p>ACCESSORY HOLDER BOARD</p>	<p>12</p>  <p>X2</p> <p>SIDE LEG PANEL</p>	<p>13</p>  <p>X2</p> <p>END LEG SUPPORT PANEL</p>	<p>14</p>  <p>X2</p> <p>END TOP RAIL</p>
<p>15</p> <p>15A-2PCS 15B-2PCS</p>  <p>X4</p> <p>BALL RETURN SUPPORT BOARD</p>	<p>16</p>  <p>X2</p> <p>BALL RETURN BOTTOM BOARD</p>	<p>1a</p>  <p>X2</p> <p>TRIANGLE a</p>	<p>1b</p>  <p>X2</p> <p>TRIANGLE b</p>	<p>2a</p>  <p>X2</p> <p>L STYLE PLASTIC a</p>	<p>2b</p>  <p>X2</p> <p>L STYLE PLASTIC b</p>	<p>3a</p>  <p>X2</p> <p>LONG PLASTIC a</p>
<p>3b</p>  <p>X2</p> <p>LONG PLASTIC b</p>	<p>P13 1 SET</p>  <p>SCREW HOLE CAP (to cover the hole of the screws S1)</p>	<p>18</p>  <p>X8</p> <p>ROD HANDLE</p>	<p>19</p>  <p>X8</p> <p>ROD END CAP</p>	<p>20</p>  <p>X16</p> <p>ROD BUMPER</p>	<p>21</p>  <p>X16</p> <p>ROD WASHER</p>	<p>22a</p>  <p>X13</p> <p>PLAYER</p>
<p>22b</p>  <p>X13</p> <p>PLAYER</p>	<p>22c</p>  <p>X13</p> <p>PLAYER</p>	<p>22d</p>  <p>X13</p> <p>PLAYER</p>	<p>25</p>  <p>X4</p> <p>3 PLAYER ROD</p>	<p>26</p>  <p>X2</p> <p>2 PLAYER ROD</p>	<p>27</p>  <p>X2</p> <p>5 PLAYER ROD</p>	<p>28</p>  <p>X2</p> <p>CUC STICK</p>
<p>29a</p>  <p>X2</p> <p>SOCCER BALL</p>	<p>29b</p>  <p>X2</p> <p>SOCCER BALL</p>	<p>29c</p>  <p>X2</p> <p>SOCCER BALL</p>	<p>30</p>  <p>X2</p> <p>ROTATION AXIS</p>	<p>31</p>  <p>X8</p> <p>PLAYER ROD STOPPER</p>	<p>32</p>  <p>X4</p> <p>LOCKER</p>	<p>33</p>  <p>X2</p> <p>MANUAL SCORER</p>
<p>34</p>  <p>X4</p> <p>CORNER POCKET LID</p>	<p>35</p>  <p>X2</p> <p>SIDE POCKET LID</p>	<p>36</p>  <p>X2</p> <p>SOCCER GOAL</p>	<p>37</p>  <p>X4</p> <p>SPACER BLOCK</p>	<p>38</p>  <p>X1</p> <p>BILLIARD BALLS SET</p>	<p>39</p>  <p>X1</p> <p>TRIANGLE</p>	<p>40</p>  <p>X2</p> <p>CHALKS</p>
<p>41</p>  <p>X1</p> <p>BRUSH</p>	<p>42</p>  <p>X4</p> <p>LEG LEVELER</p>	<p>43</p>  <p>X4</p> <p>STOP RING</p>	<p>61</p>  <p>X4</p> <p>METAL LEG SUPPORT</p>	<p>62</p>  <p>X2</p> <p>BALL ENTRY CUP</p>		

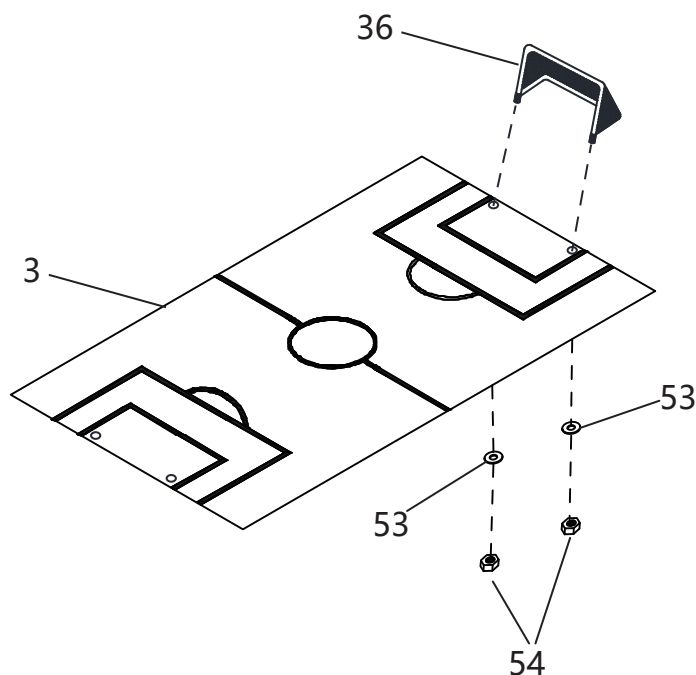
HARDWARE

44 X20  1/4" x 2" BOLT	45 X24  1/4" x 1-1/4" BOLT	46a X26  5/32" x 1-1/8" BOLT	46b X26  5/32" x 1-1/8" BOLT	47a X26  5/32" NUT	47b X26  5/32" NUT	48 X12  1/8" x 1/2" SCREWS
49 X8  5/32" x 1" BOLT	50 X8  5/32" NUT	51 X12  1/8" x 1-3/8" SCREWS	52 X6  1/4" NUT	53 X56  1/4" WASHER	54 X4  M6 NUT	55 X24  1/8" x 1" SCREWS
56 X24  1/8" x 1-1/2" SCREWS	57 X8  1/8" x 1/2" SCREWS	58 X2  ALLEN WRENCH	59 X8  1/8" x 2-1/4" SCREWS	60 X8  1/8" x 1/8" SCREWS	62 X8  1/4" NUT	63 X4  1/8" x 1-1/4" SCREWS
S1 X36  1/2" FLAT HEAD SCREWS						

Assembly Instructions

WARNING: TWO ADULTS ARE NEEDED TO ASSEMBLE THE SOCCER TABLE

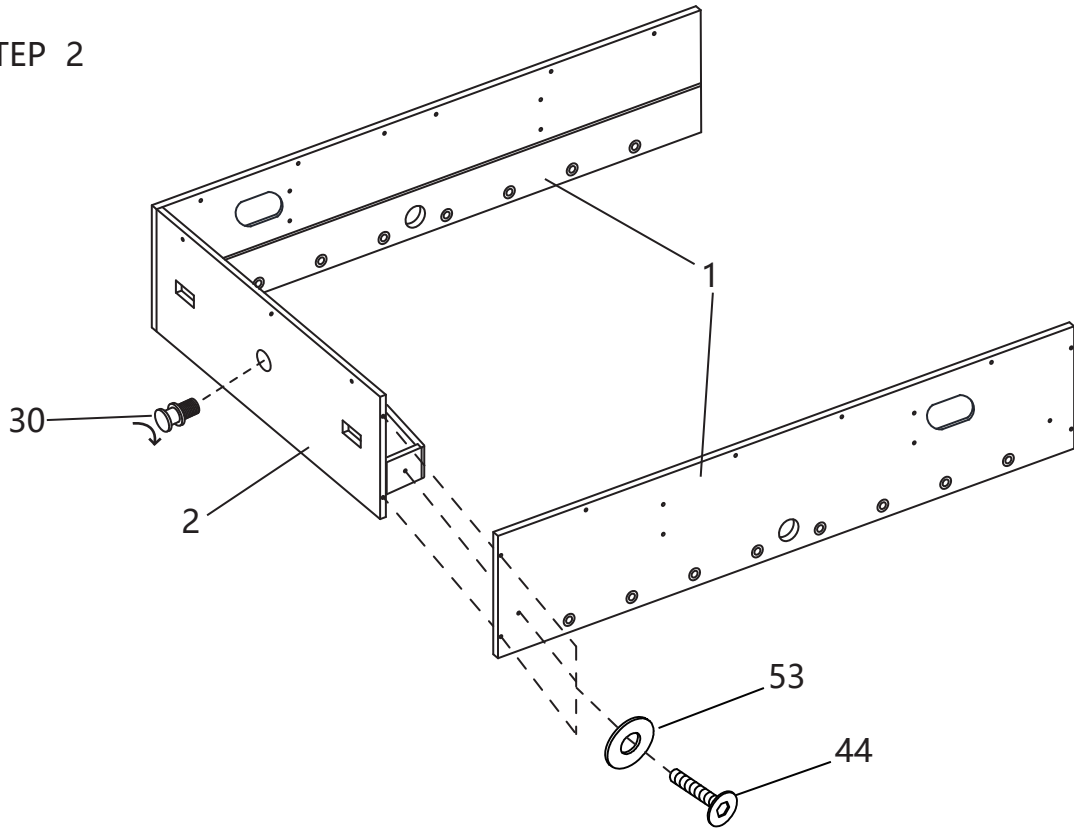
STEP 1 Attach the 2 SOCCER GOALS (#36) to the both ends of the Play Field (#3)



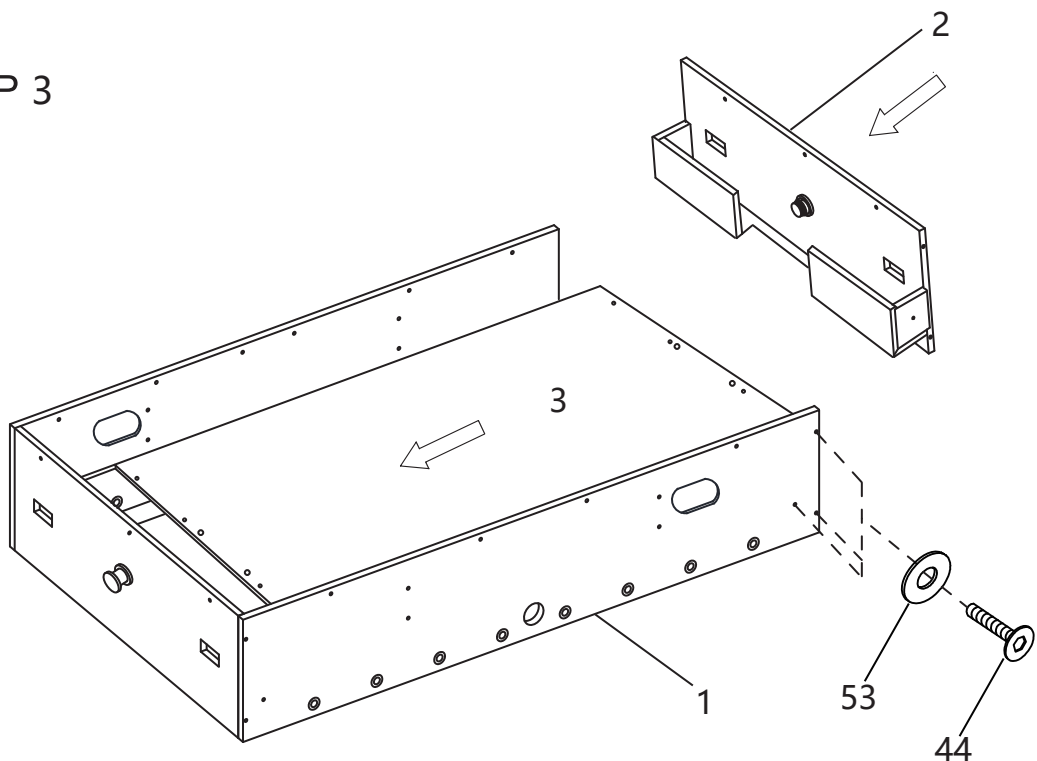
Assembly Instructions

WARNING: TWO ADULTS ARE NEEDED TO ASSEMBLE THE SOCCER TABLE

STEP 2



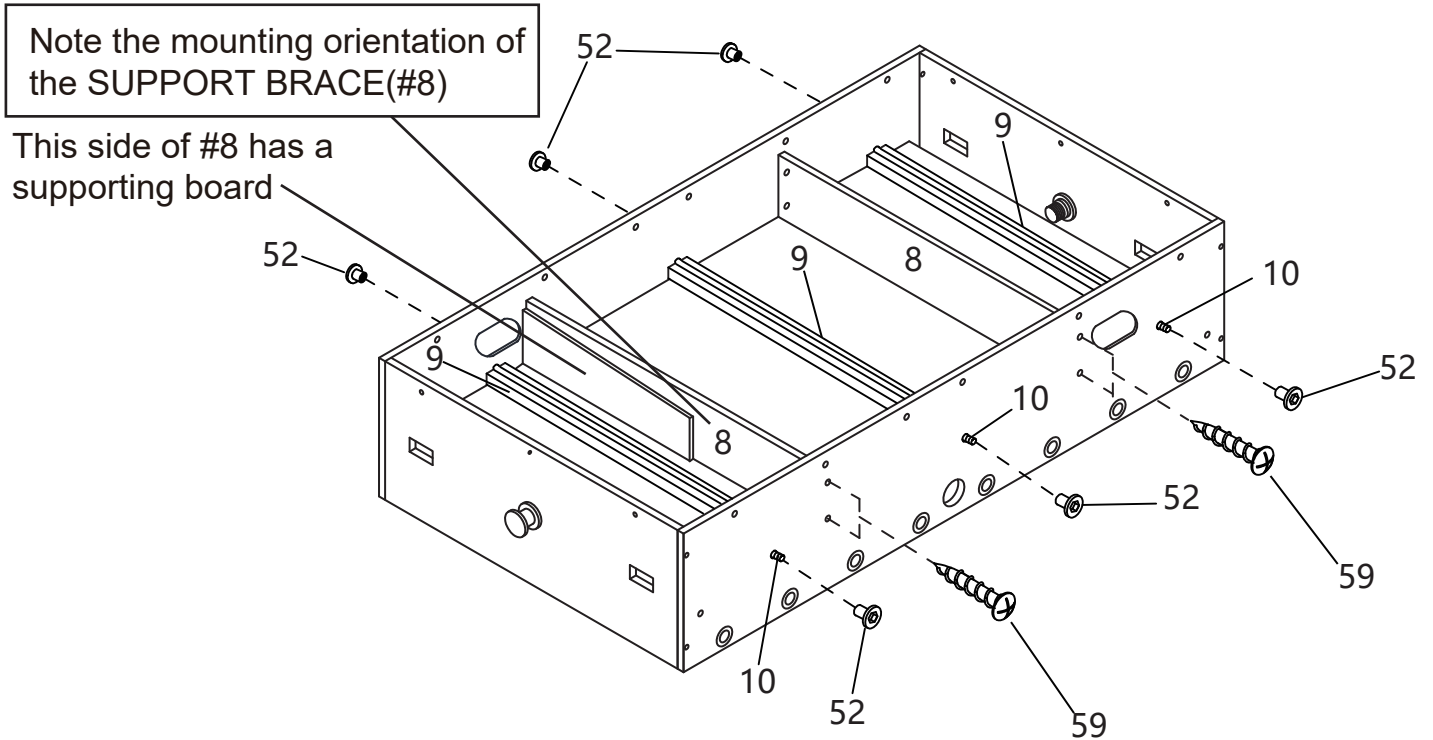
STEP 3



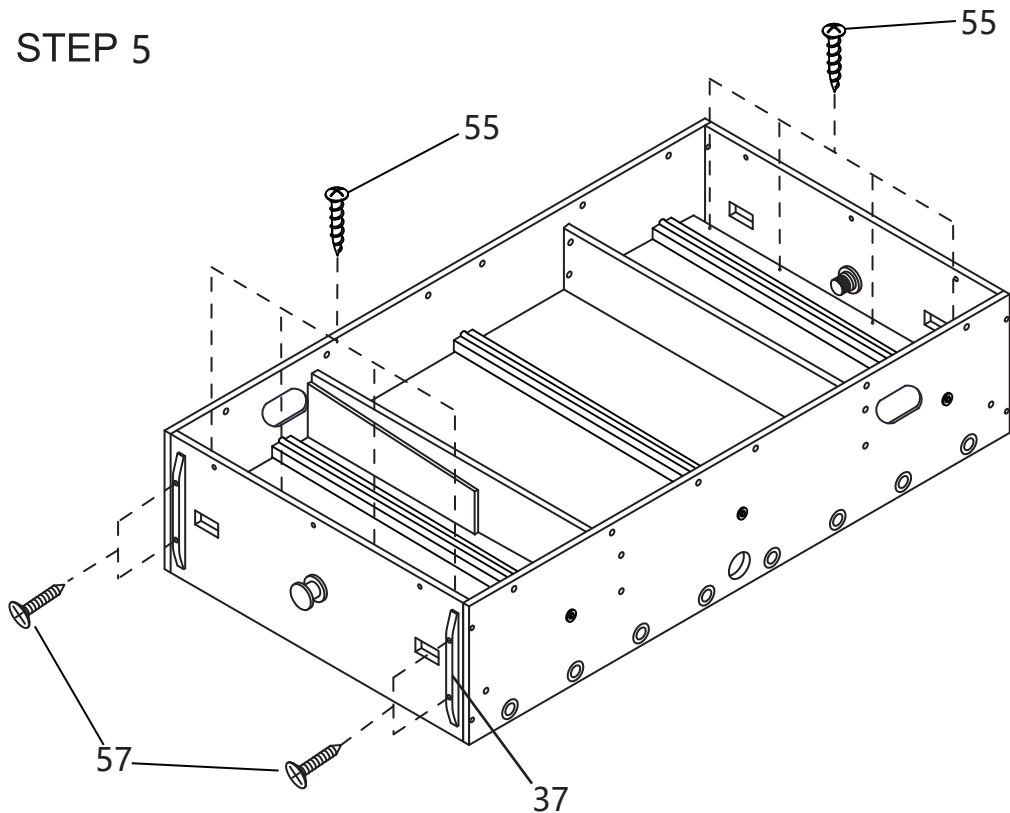
Assembly Instructions

WARNING: TWO ADULTS ARE NEEDED TO ASSEMBLE THE SOCCER TABLE

STEP 4



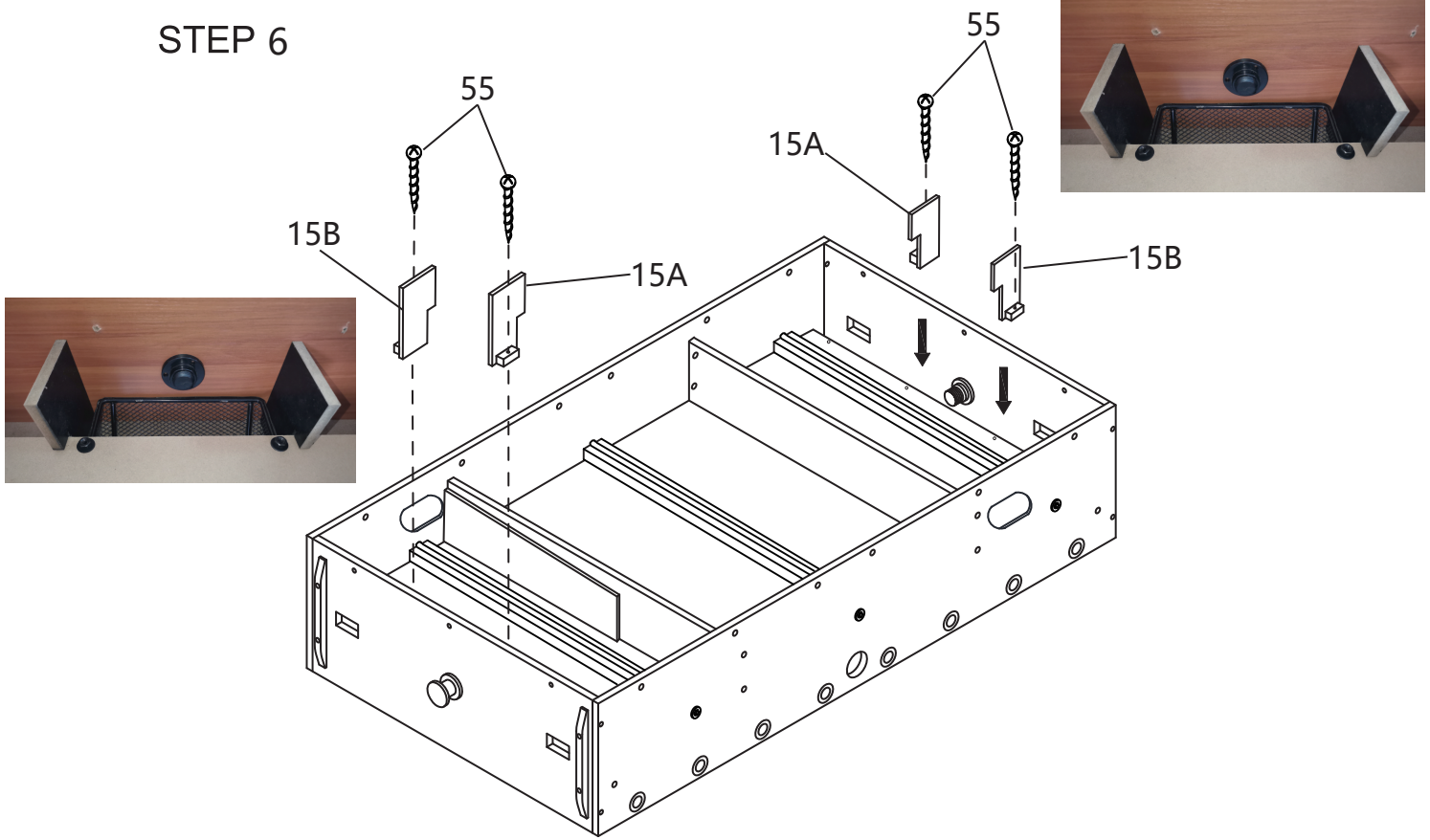
STEP 5



Assembly Instructions

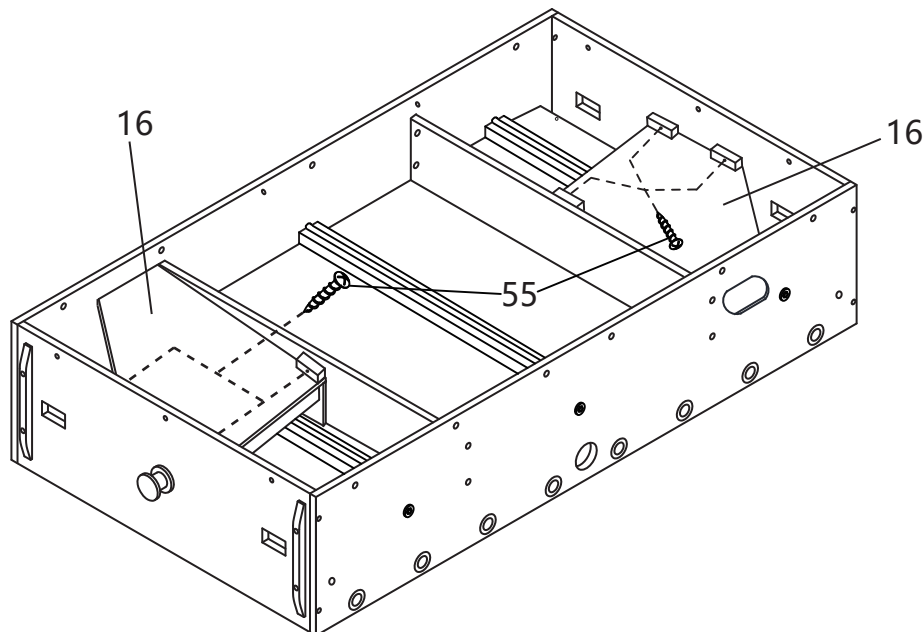
WARNING: TWO ADULTS ARE NEEDED TO ASSEMBLE THE SOCCER TABLE

STEP 6



STEP 7

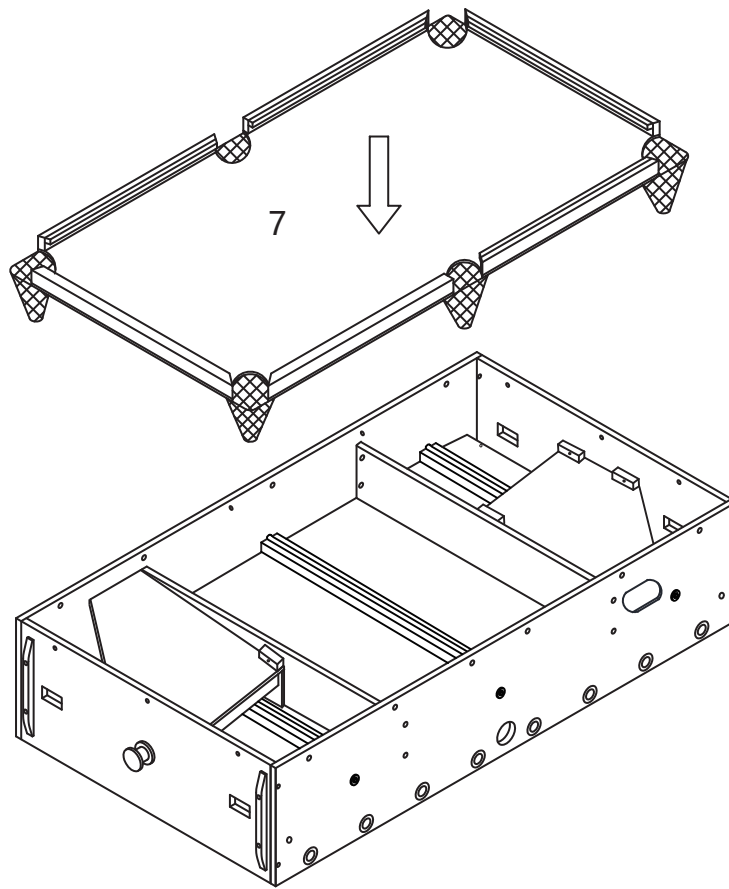
In this step please pay attention the orientation and the position for the BALL RETURN BOTTOM BOARD (#16)



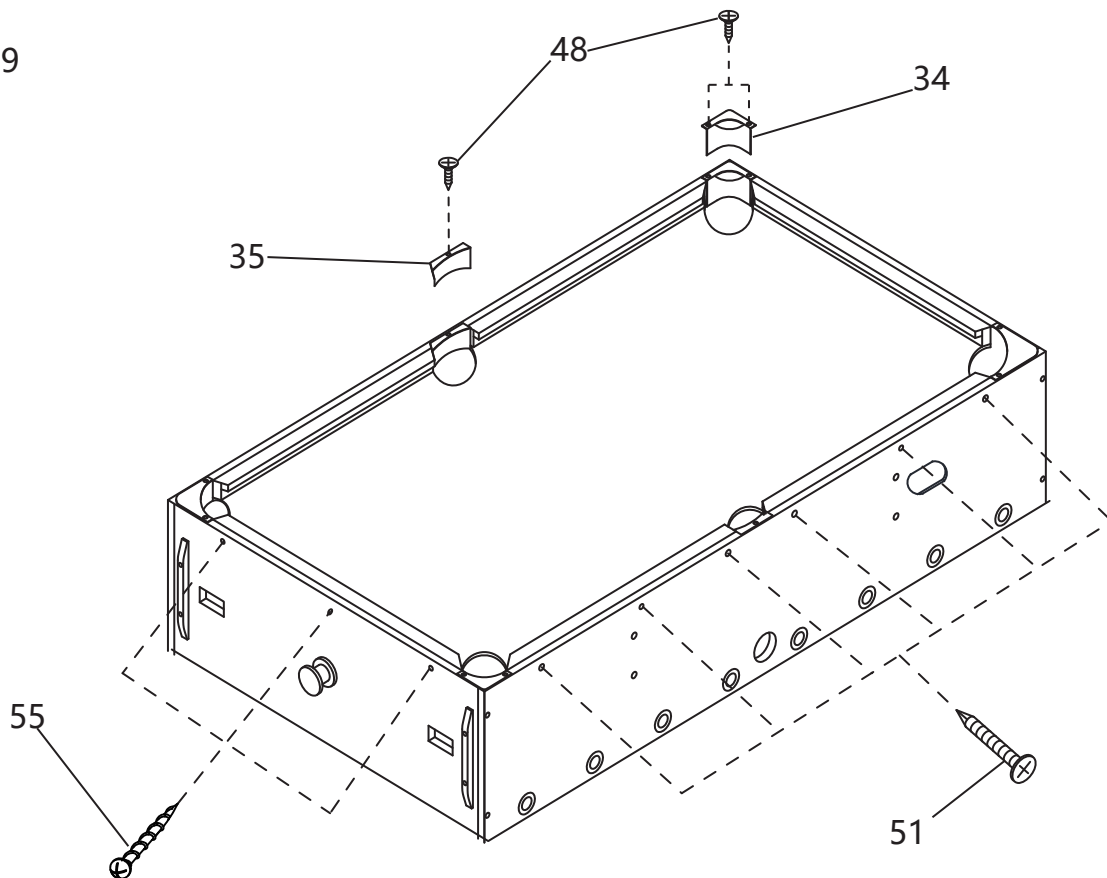
Assembly Instructions

WARNING: TWO ADULTS ARE NEEDED TO ASSEMBLE THE SOCCER TABLE

STEP 8



STEP 9

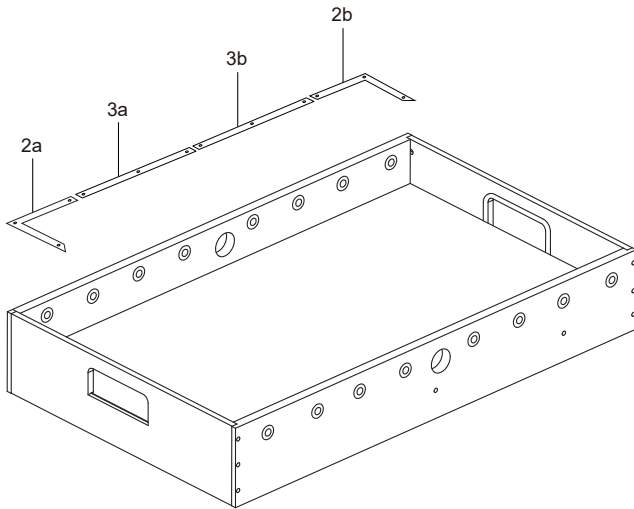


Assembly Instructions

WARNING: TWO ADULTS ARE NEEDED TO ASSEMBLE THE SOCCER TABLE

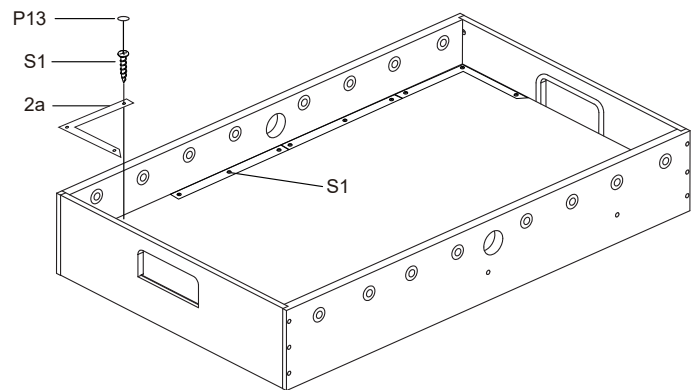
STEP 10A

Steps 10A to 10E are optional if you want.



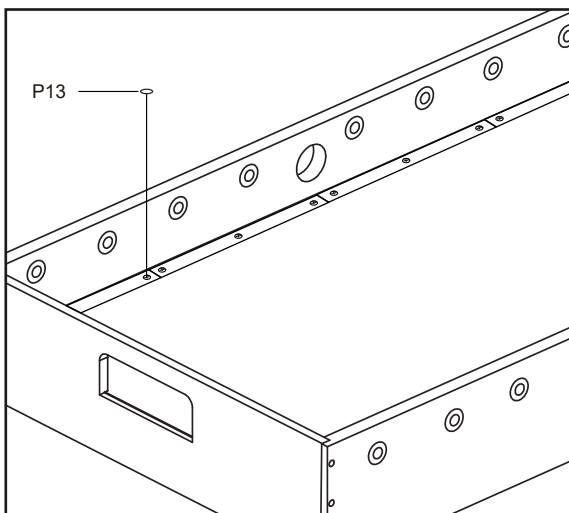
STEP 10B

Attach the plastic 2a, 2b, 3a, 3b to the playing field with S1.

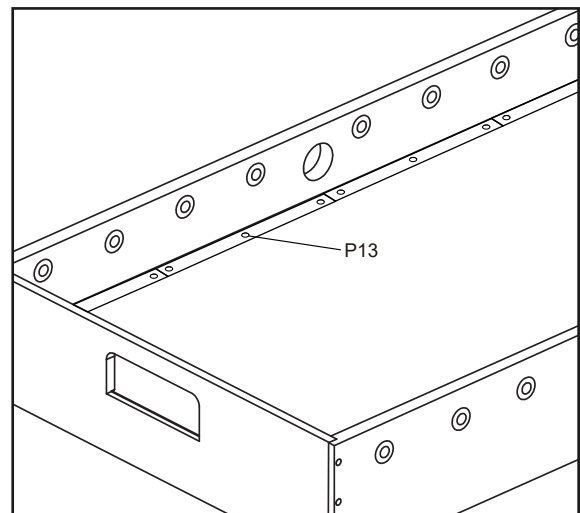


STEP 10C

Cover the Screw Hole Cap P13 to the screw hole.



STEP 10D

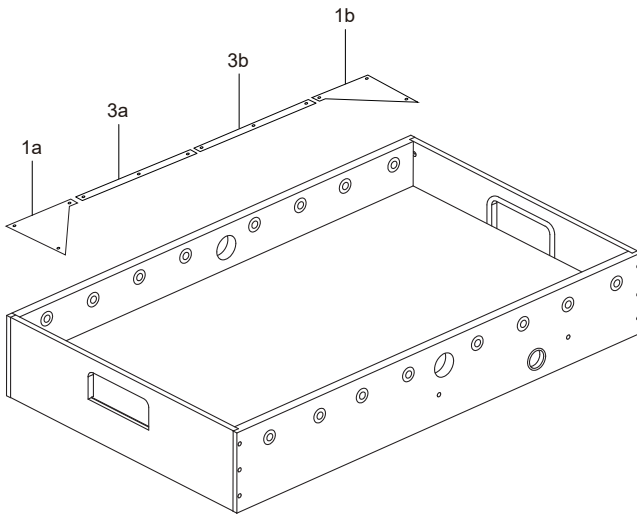


Assembly Instructions

WARNING: TWO ADULTS ARE NEEDED TO ASSEMBLE THE SOCCER TABLE

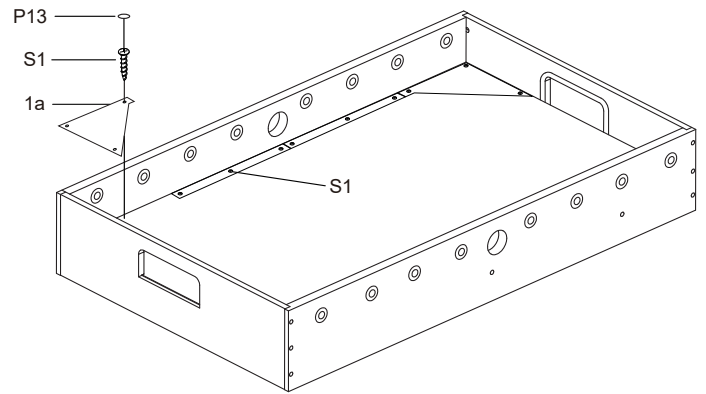
STEP 11A

Steps 11A to 11E are optional if you want.



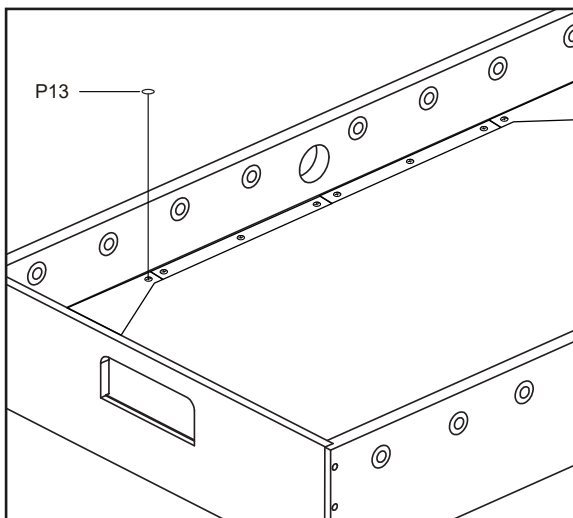
STEP 11B

Attach the plastic 1a, 1b, 3a, 3b to the playing field with S1.

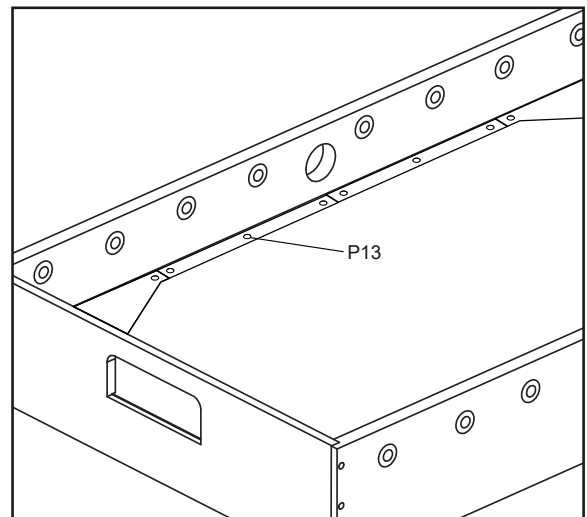


STEP 11C

Cover the Screw Hole Cap P13 to the screw hole.



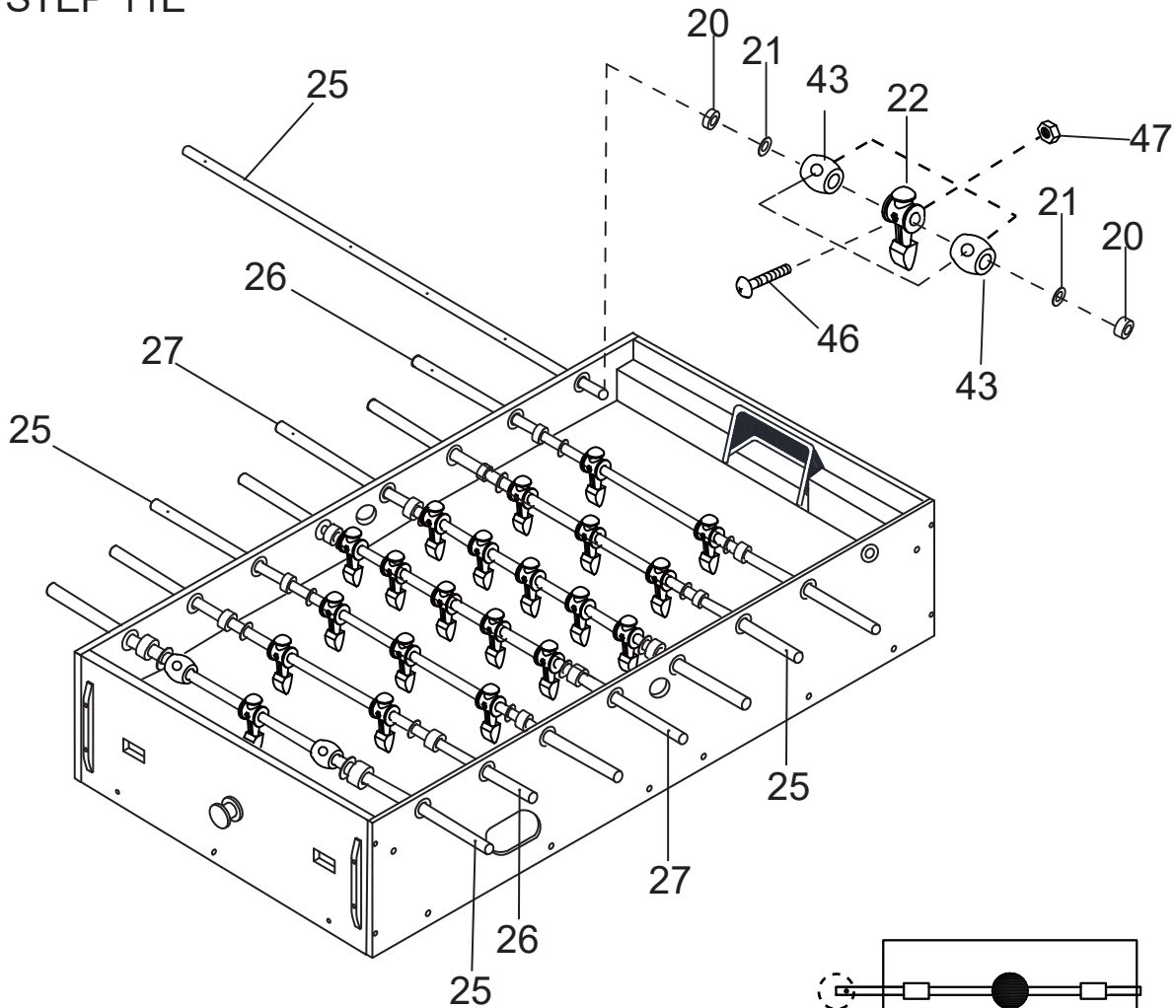
STEP 11D



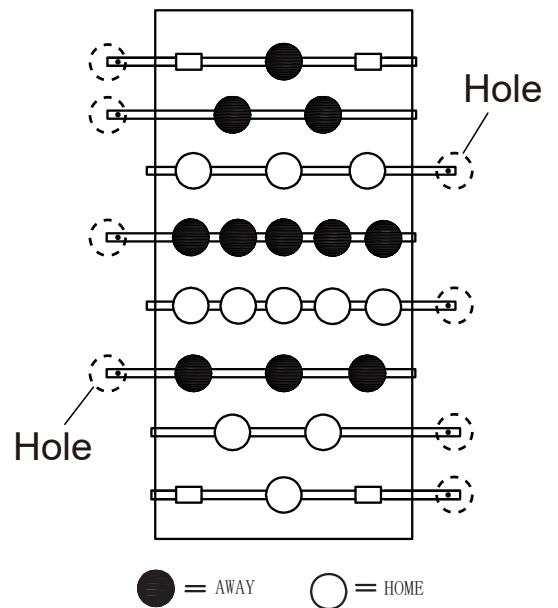
Assembly Instructions

WARNING: TWO ADULTS ARE NEEDED TO ASSEMBLE THE SOCCER TABLE

STEP 11E



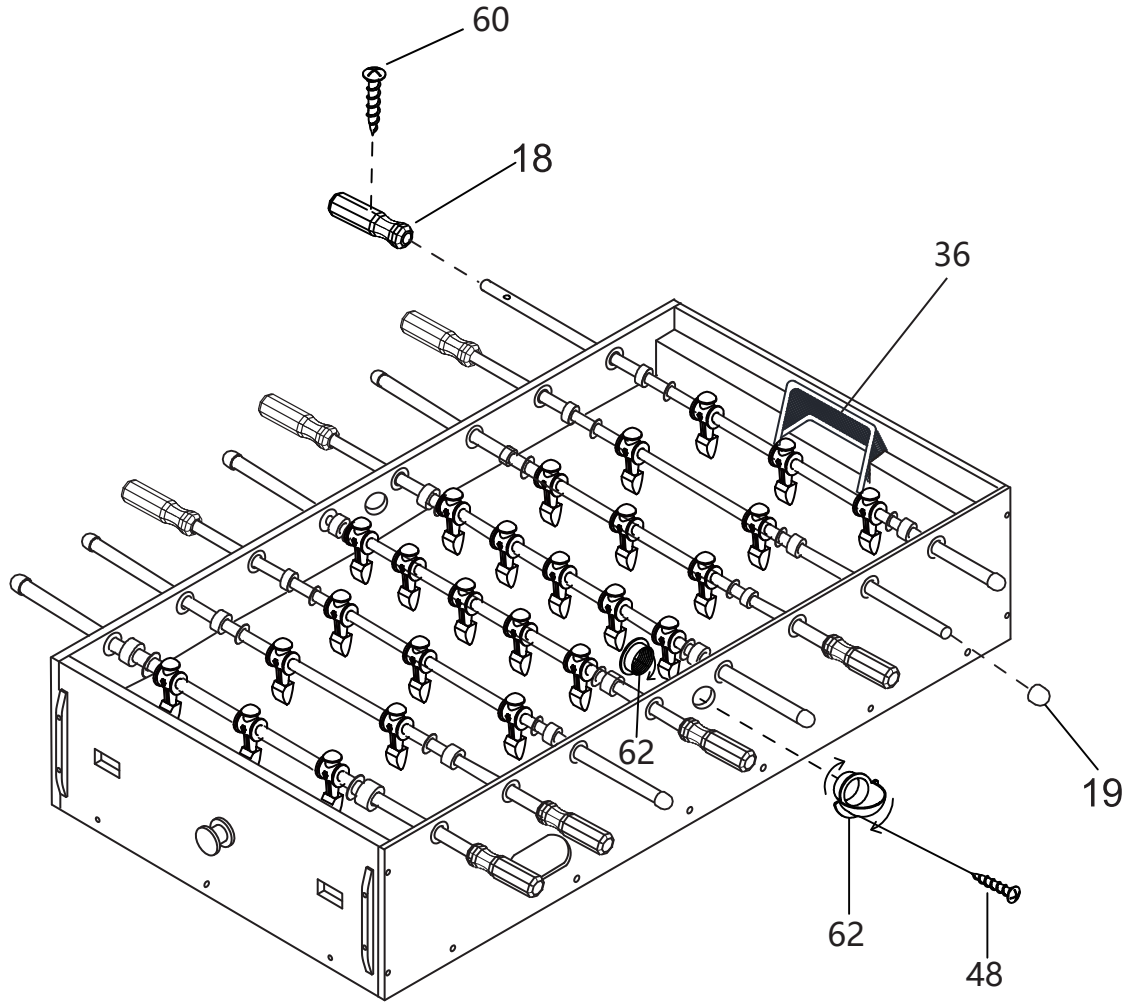
Insert the rod end part way through one side panel, and then place the rest of the parts needed on each rod, in the order shown, before inserting through the other side panel.



Assembly Instructions

WARNING: TWO ADULTS ARE NEEDED TO ASSEMBLE THE SOCCER TABLE

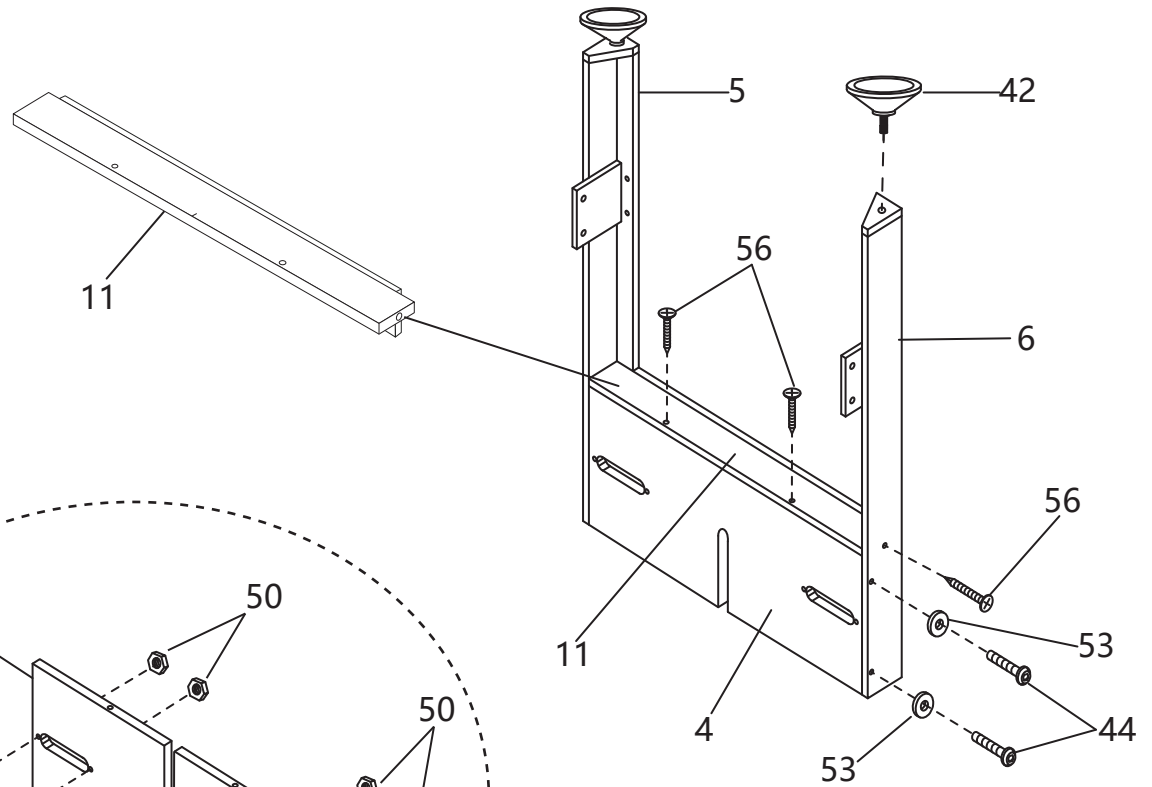
STEP 12



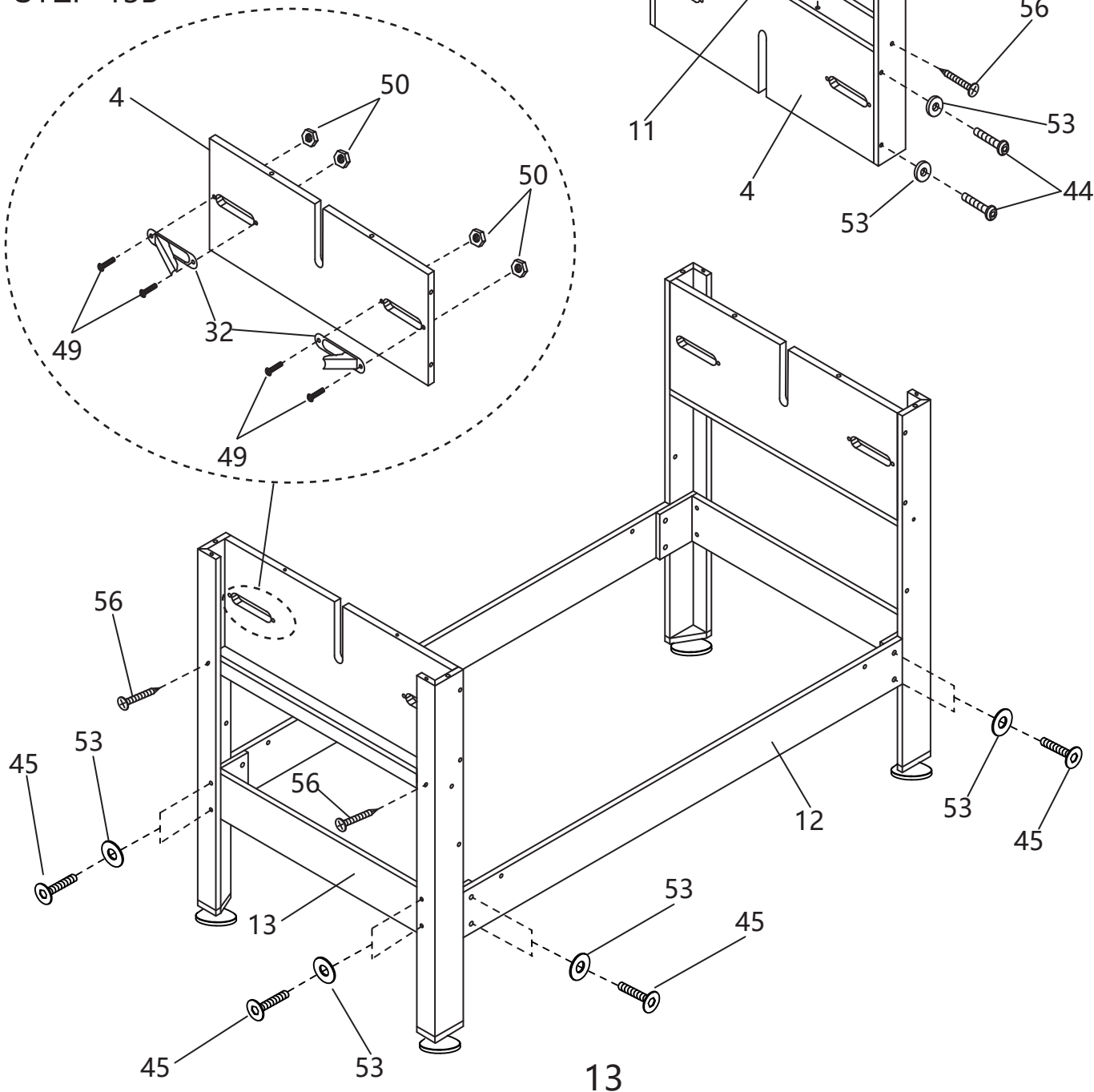
Assembly Instructions

WARNING: TWO ADULTS ARE NEEDED TO ASSEMBLE THE SOCCER TABLE

STEP 13A



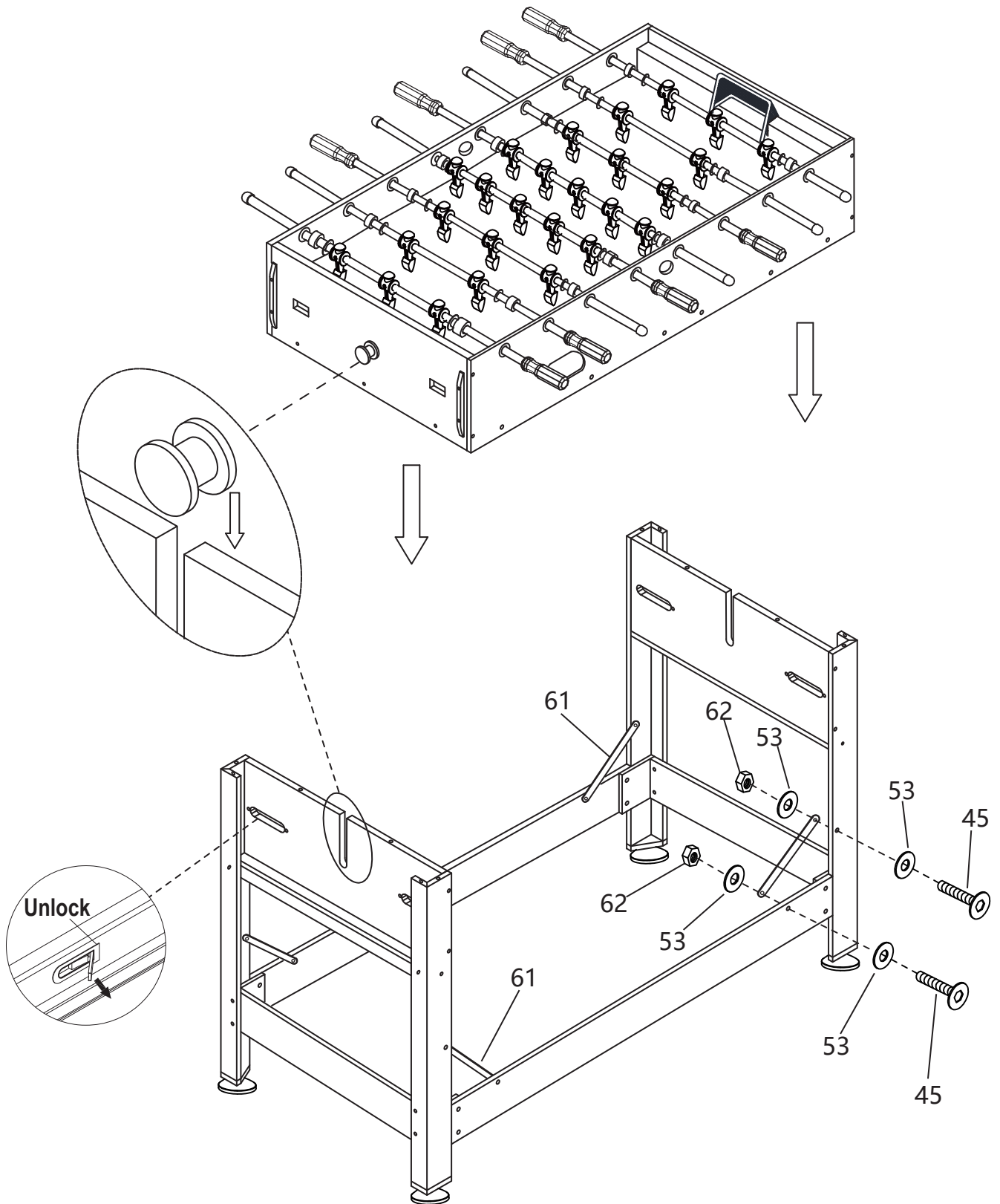
STEP 13B



Assembly Instructions

WARNING: TWO ADULTS ARE NEEDED TO ASSEMBLE THE SOCCER TABLE

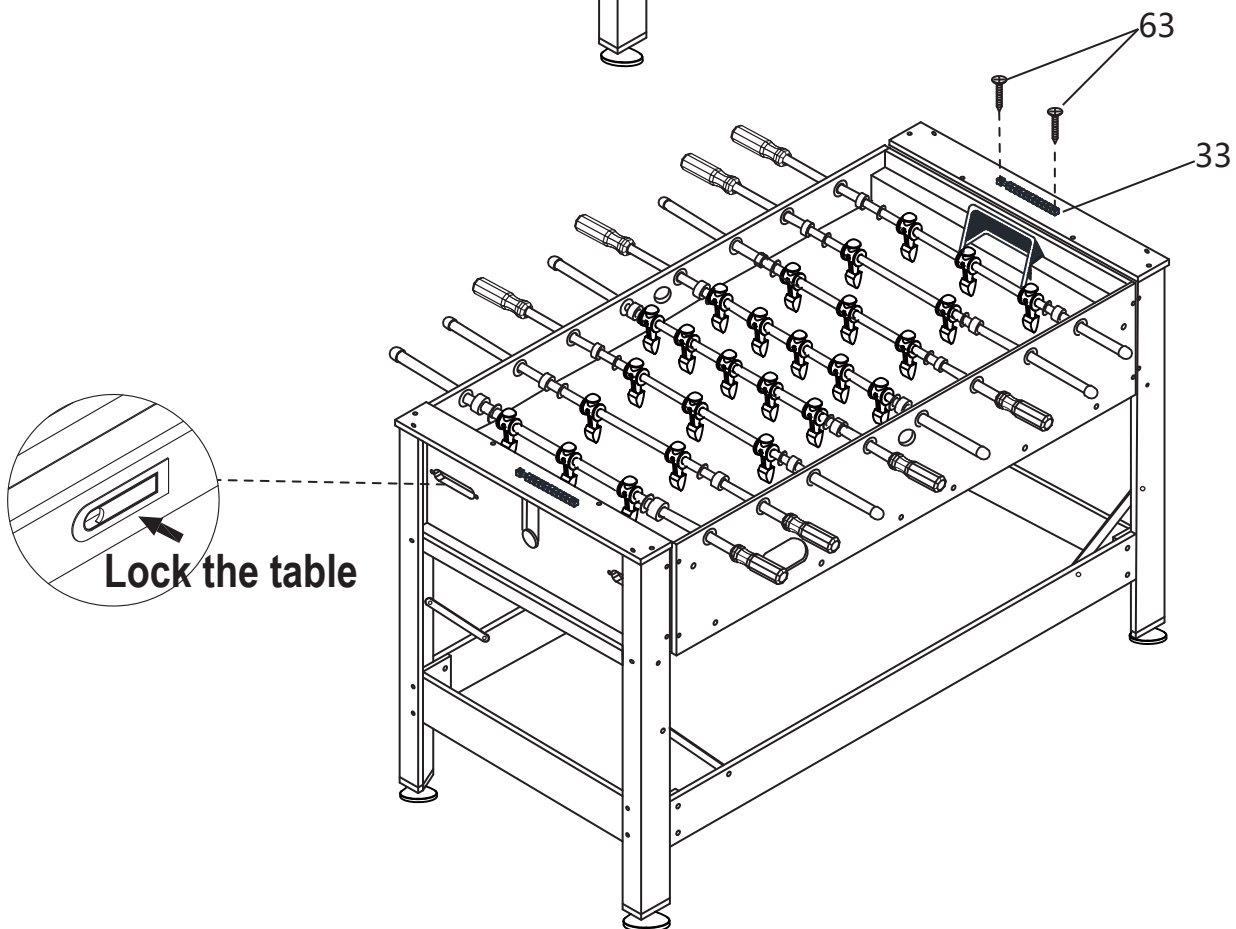
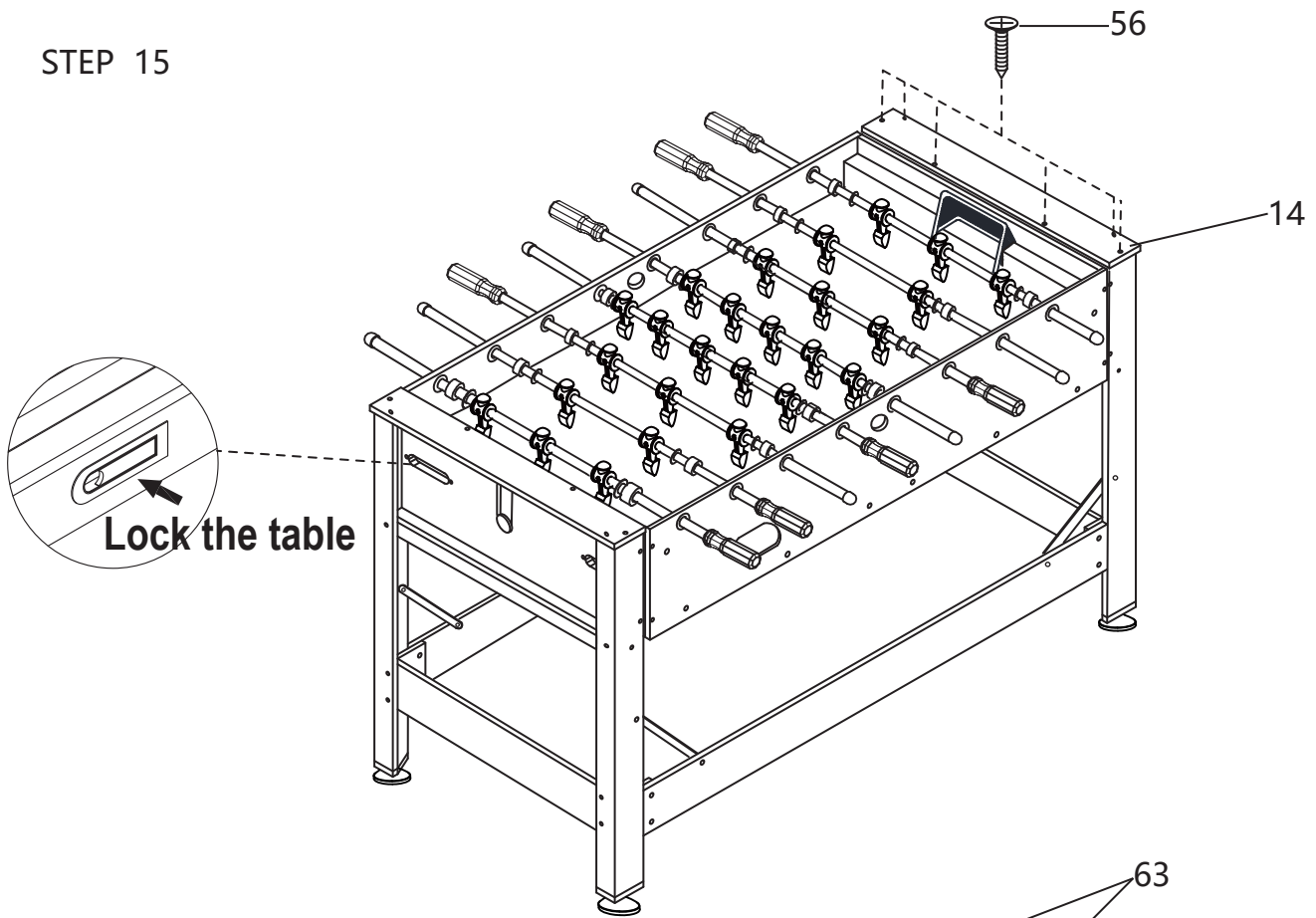
STEP 14



Assembly Instructions

WARNING: TWO ADULTS ARE NEEDED TO ASSEMBLE THE SOCCER TABLE

STEP 15



15

Assembly Instructions

WARNING: TWO ADULTS ARE NEEDED TO ASSEMBLE THE SOCCER TABLE

STEP 16

When you want to rotate the table, please attach the 8 Play Rod Stoppers (#31) to each play rod first to keep the player rod from the moving.

