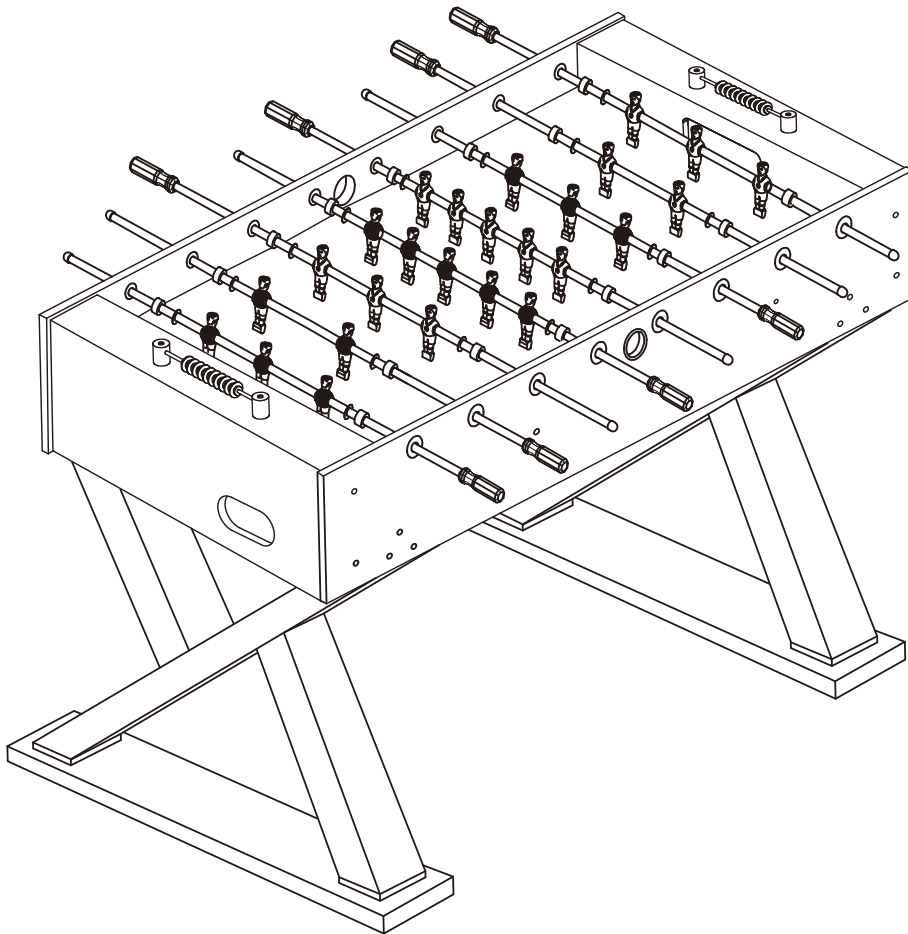




KICK Drias 48"

(Brown/Black)

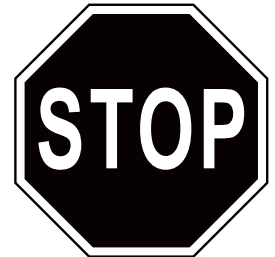
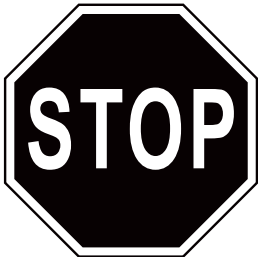
FOOSBALL TABLE ASSEMBLY INSTRUCTIONS



FY400

Assembly Instructions

WARNING: TWO ADULTS ARE NEEDED TO ASSEMBLE THE SOCCER TABLE



Official Website of KICK Foosball Tables



IF YOUR TABLE HAS DAMAGES, MISSING PARTS, OR YOU ARE NOT **100%** SATISFIED PLEASE CONTACT **KICK, NOT THE RESELLER.**

← SCAN THIS QR CODE TO CONTACT US IF YOU FACE ANY ISSUES.

FOR THE LATEST INSTRUCTION MANUALS, VIDEOS, TABLE ASSEMBLY INFO, DIFFERENT GOALIE SETUPS, PLAYER TYPES, AND OTHER HELPFUL TIPS - PLEASE VISIT THE LINK BELOW OR SCAN THIS QR CODE →

www.KICKFoosballTables.com/Instructions/



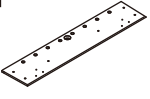
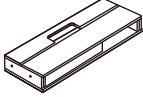
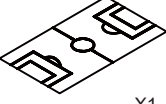
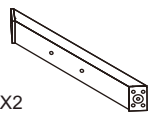
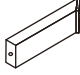
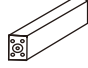
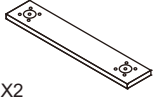

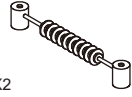







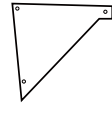
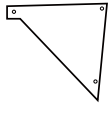
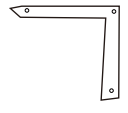
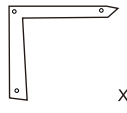
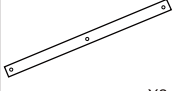
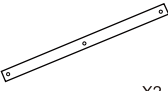
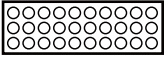





CONTACT INFORMATION:

Email: Support@KICKFoosballTables.com
Website: www.KICKFoosballTables.com
Phone: 1 (866) 844-KICK (5425) or (210) 664-8934




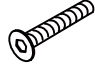



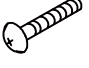





MAILING ADDRESS:

KICK Sports
PO Box 790311
San Antonio, Texas 78279

PARTS LIST

1  X2 SIDE PANEL	2  X2 END PANEL	3  X1 PLAYFIELD	4  X2 LEG-A	5  X2 LEG-B	6  X2 LEG-C	7  X2 LEG BASE
8  X2 SUPPORT BRACE	9  X2 SLIDE SCORER	10  X4 LEG LEVELER	11  X4 3 PLAYER ROD	12  X2 2 PLAYER ROD	13  X2 5 PLAYER ROD	14  X2 SOCCER BALL
15  X16 ROD WASHER	16  X4 STOP RING	1c  X2 TRIANGLE a	1d  X2 TRIANGLE b	2c  X2 L STYLE PLASTIC a	2d  X2 L STYLE PLASTIC b	3c  X2 LONG PLASTIC a
3d  X2 LONG PLASTIC b	P13a 1 SET  (to cover the hole of the screws S1)	17  X8 ROD HANDLE	18  X8 ROD END CAP	19  X16 ROD BUMPER	20a  X13 PLAYER	20b  X13 PLAYER

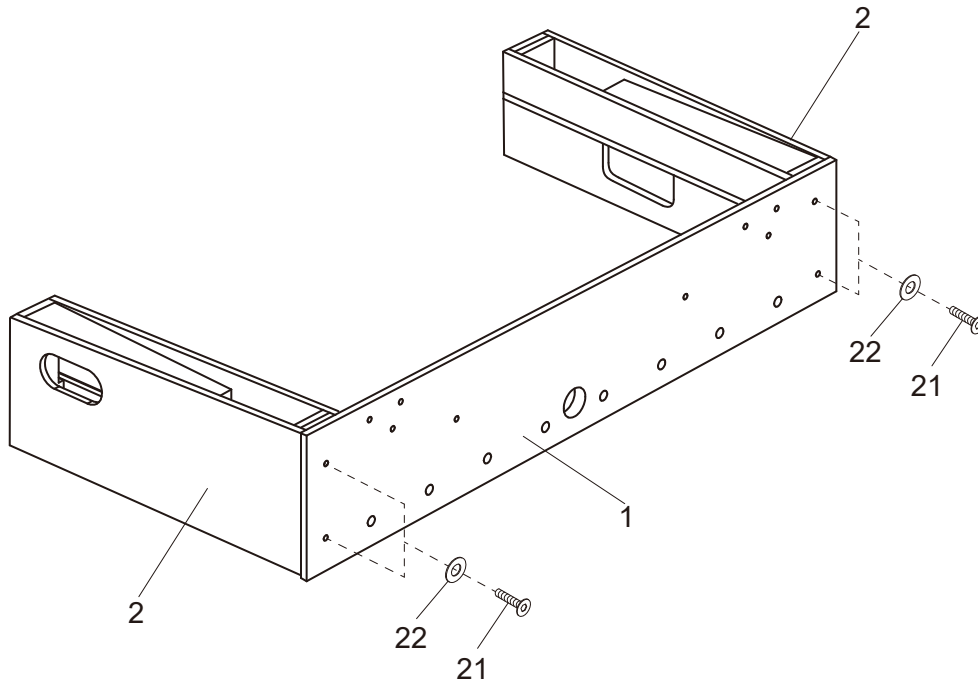
HARDWARE

21 X8  1/4" x 1-3/4" BOLT	22 X24  1/4" WASHER	23 X16  1/4" x 1-1/4" BOLT	24 X4  5/16" x 3-1/4" BOLT	25 X12  5/16" x 1" BOLT	26 X16  5/16" WASHER	27 X8  1/8" x 5/8" SCREWS
28 X26  1/8" x 3/4" BOLT	29 X26  1/8" NUT	30 X4  1/8" x 1-3/4" SCREWS	31 X4  1/8" x 1-3/4" SCREWS	32 X1  ALLEN WRENCH	S2 X36  1/2" FLAT HEAD SCREWS	

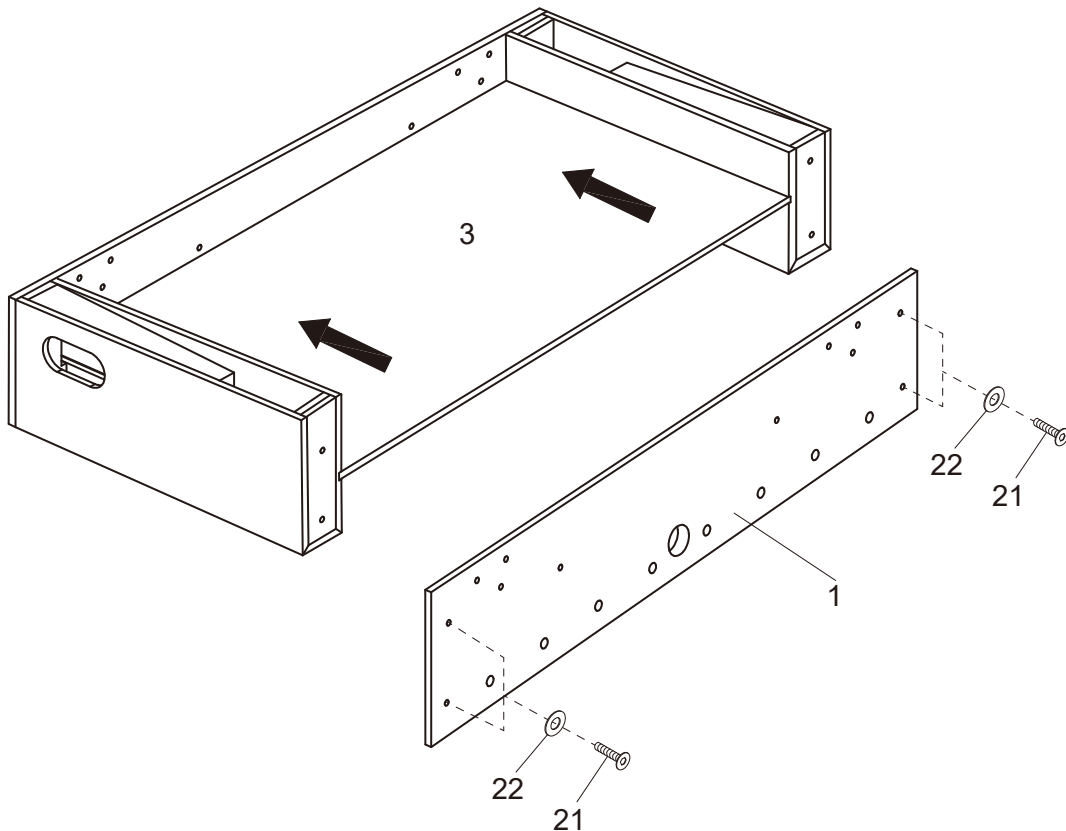
Assembly Instructions

WARNING: TWO ADULTS ARE NEEDED TO ASSEMBLE THE SOCCER TABLE

STEP 1



STEP 2

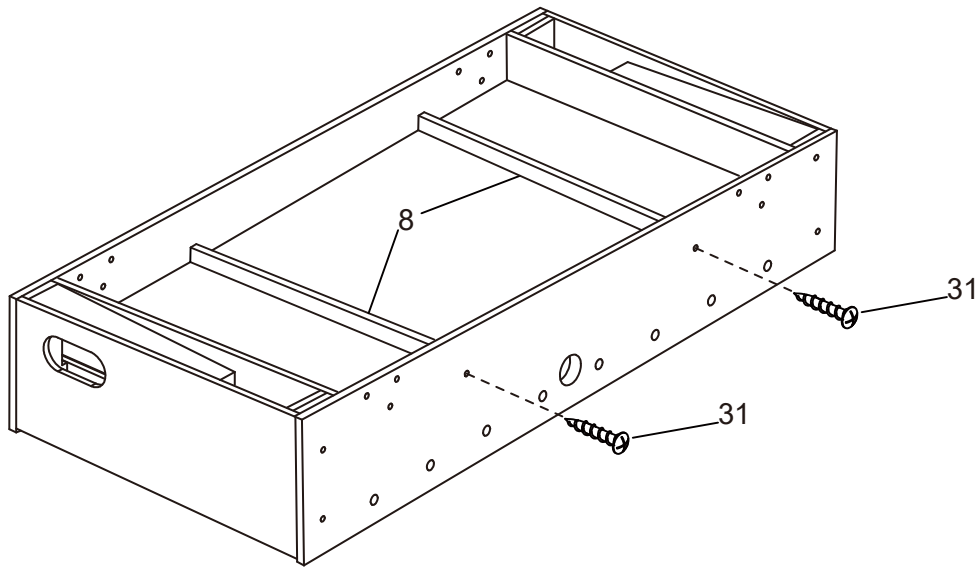


3

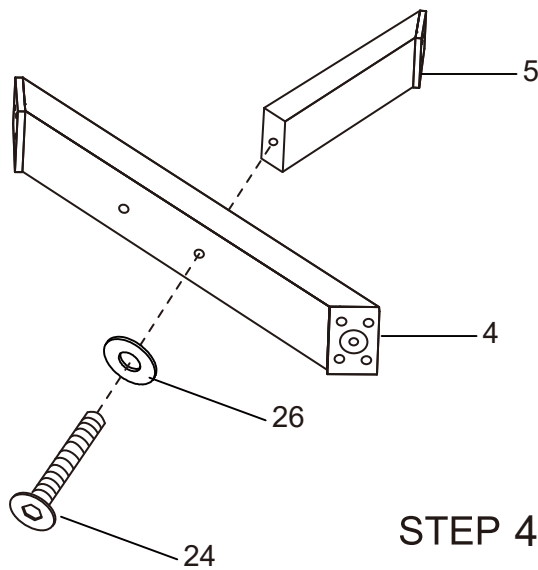
Assembly Instructions

WARNING: TWO ADULTS ARE NEEDED TO ASSEMBLE THE SOCCER TABLE

STEP 3

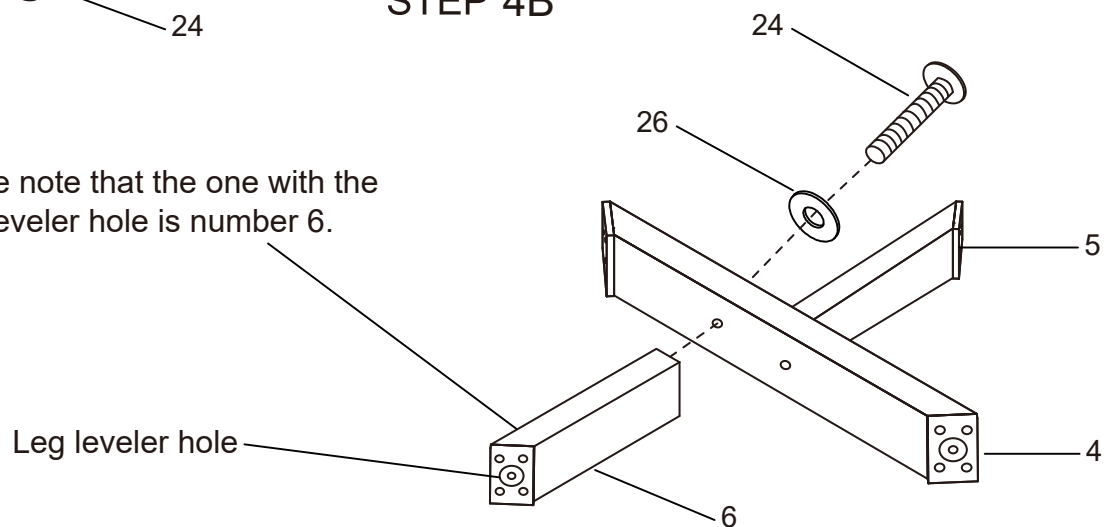


STEP 4A



STEP 4B

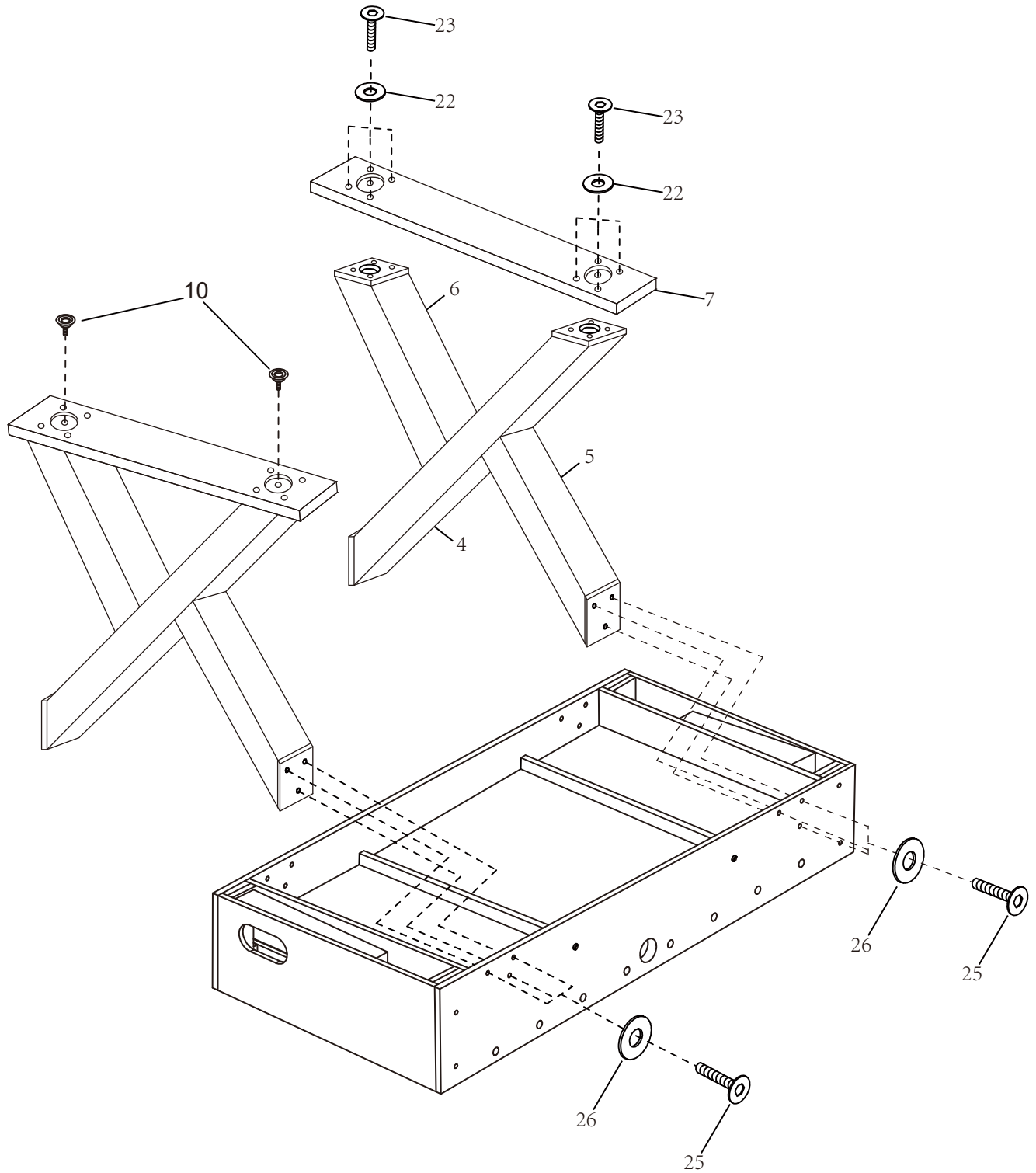
Please note that the one with the Leg Leveler hole is number 6.



Assembly Instructions

WARNING: TWO ADULTS ARE NEEDED TO ASSEMBLE THE SOCCER TABLE

STEP 5

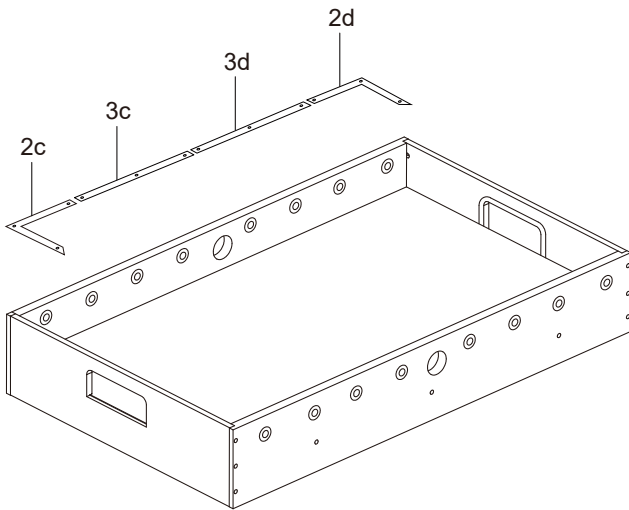


Assembly Instructions

WARNING: TWO ADULTS ARE NEEDED TO ASSEMBLE THE SOCCER TABLE

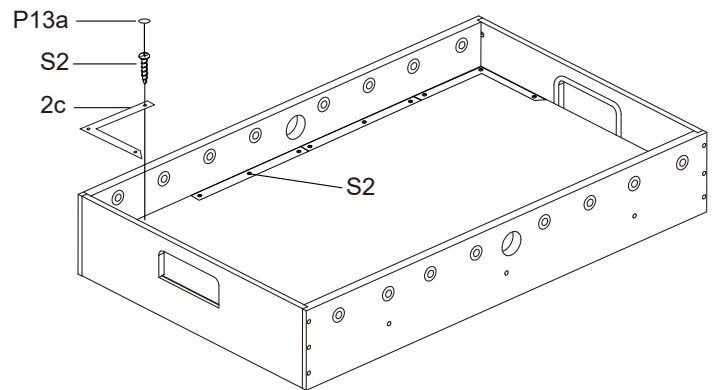
STEP 6A

Steps 6A to 6E are optional if you want.



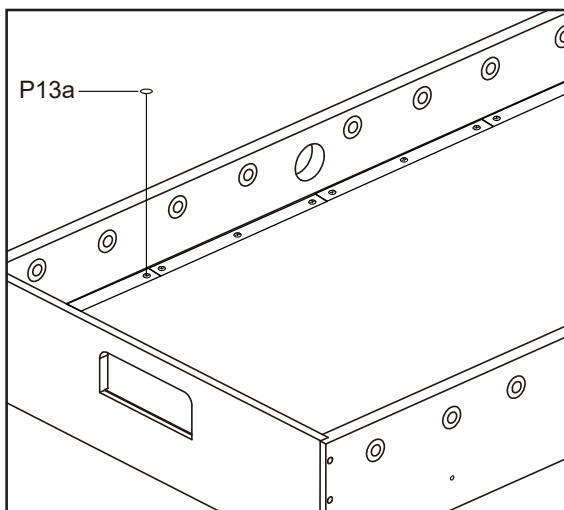
STEP 6B

Attach the plastic 2c, 2d, 3c, 3d to the playing field with S2.

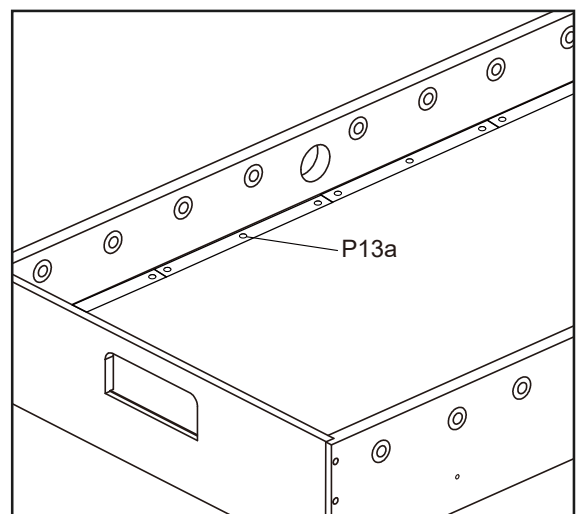


STEP 6C

Cover the Screw Hole Cap P13a to the screw hole.



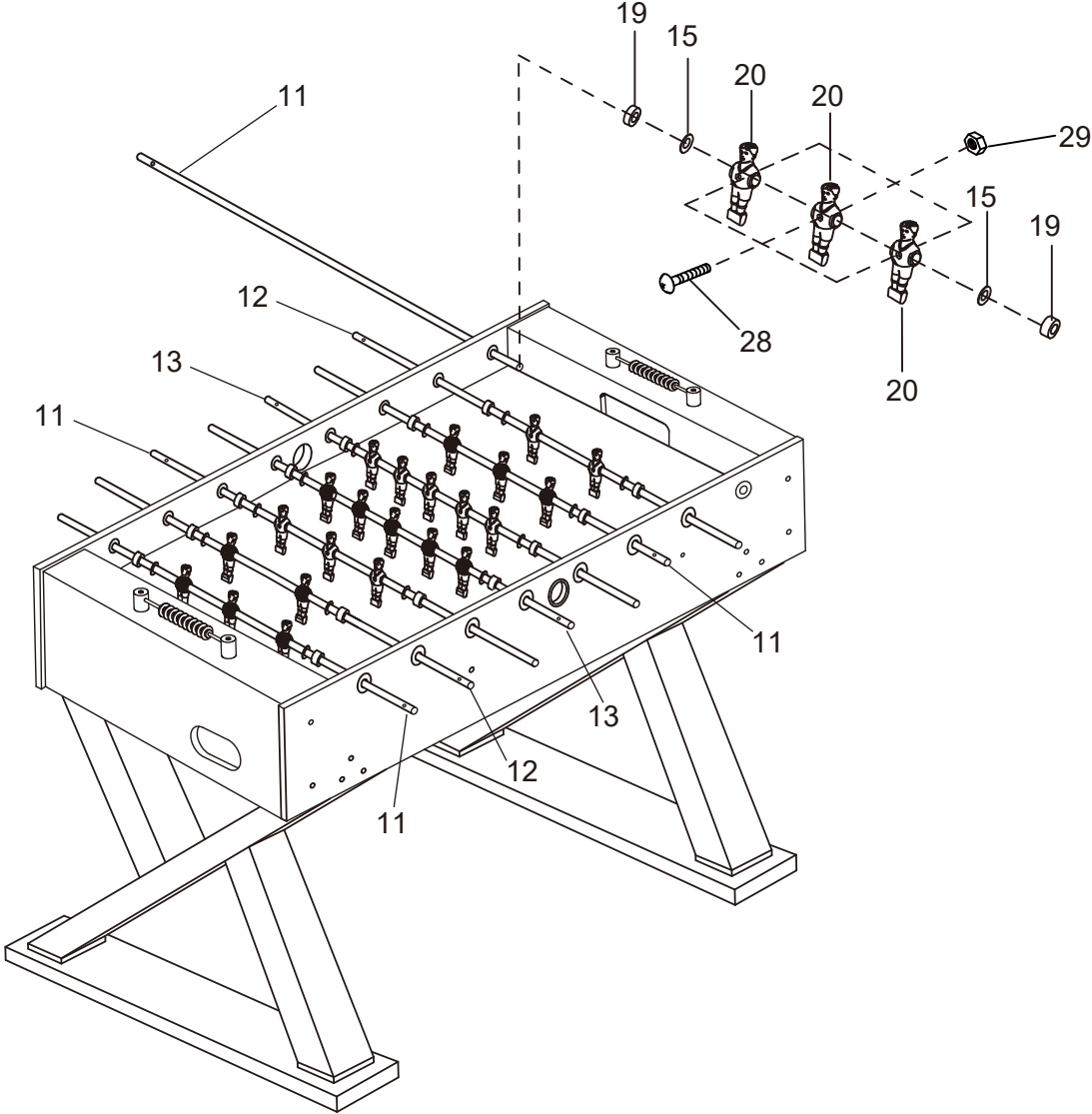
STEP 6D



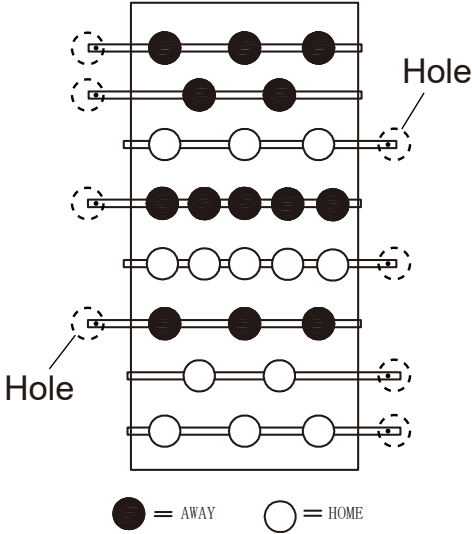
Assembly Instructions

WARNING: TWO ADULTS ARE NEEDED TO ASSEMBLE THE SOCCER TABLE

STEP 6E



Insert the rod end part way through one side panel, and then place the rest of the parts needed on each rod, in the order shown, before inserting through the other side panel.

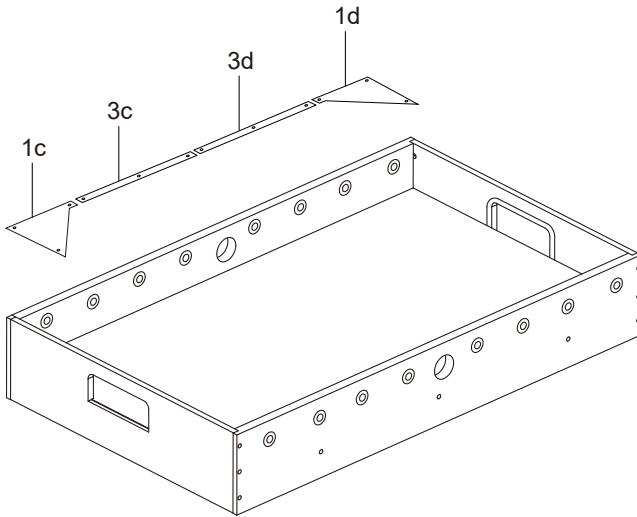


Assembly Instructions

WARNING: TWO ADULTS ARE NEEDED TO ASSEMBLE THE SOCCER TABLE

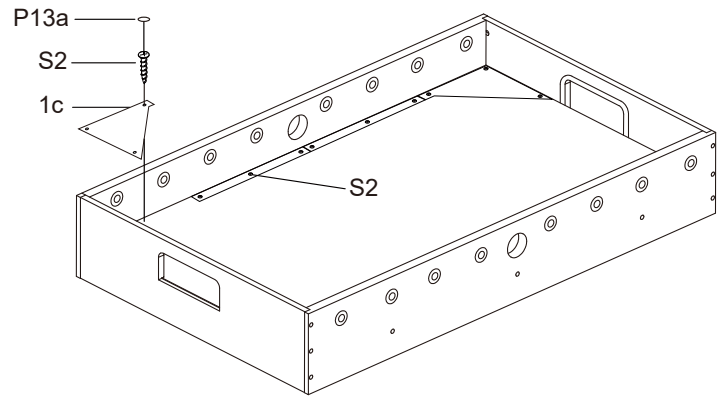
STEP 7A

Steps 7A to 7E are optional if you want.



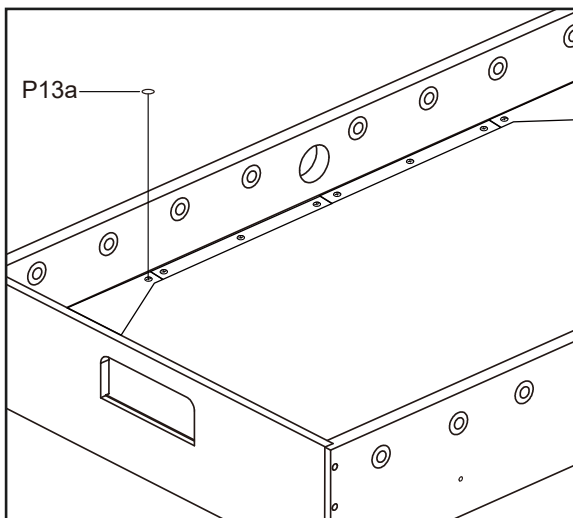
STEP 7B

Attach the plastic 1c, 1d, 3c, 3d to the playing field with S2.

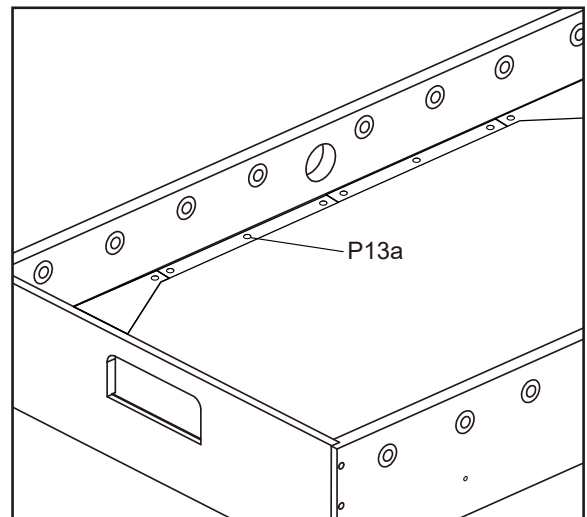


STEP 7C

Cover the Screw Hole Cap P13a to the screw hole.



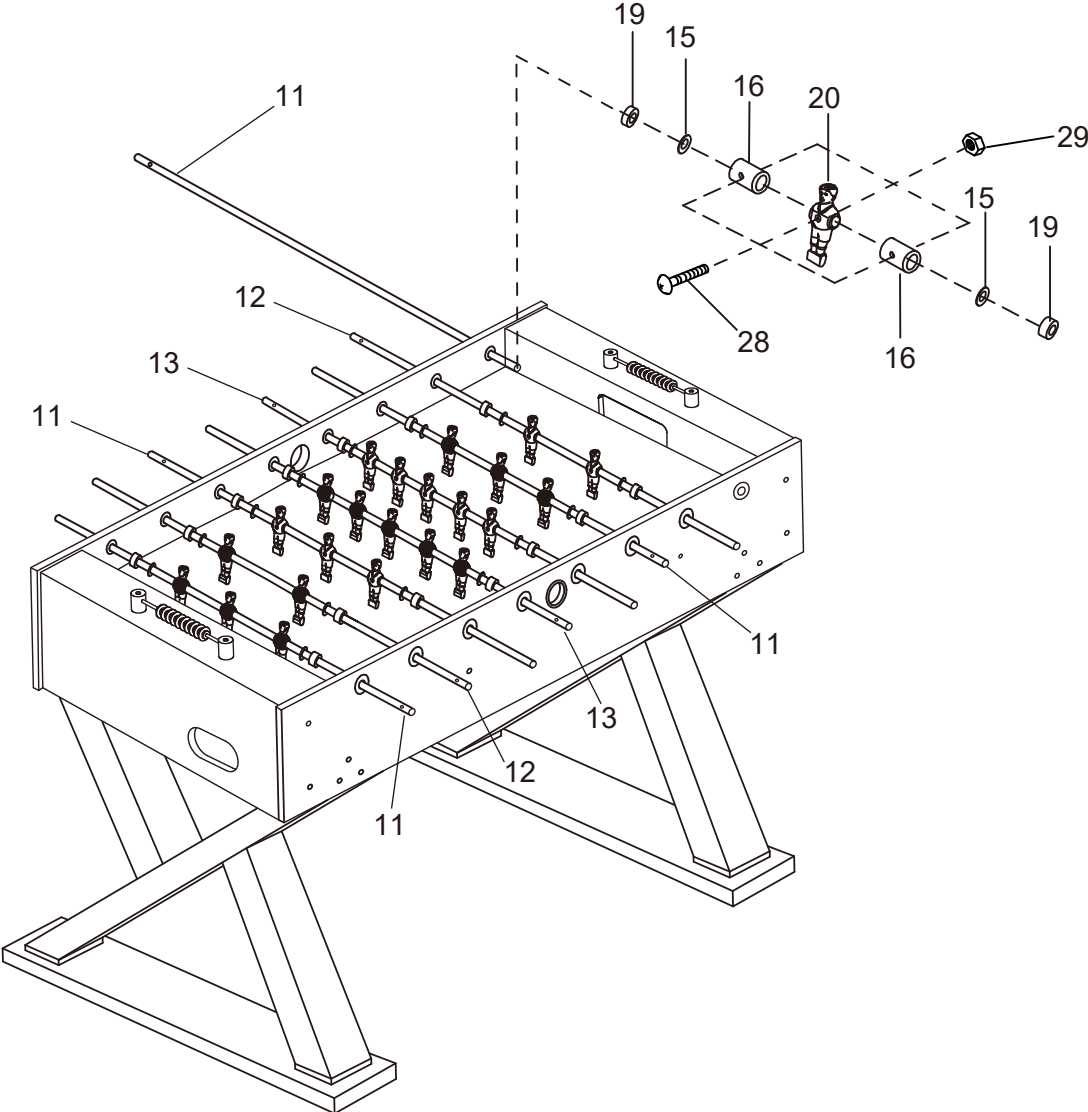
STEP 7D



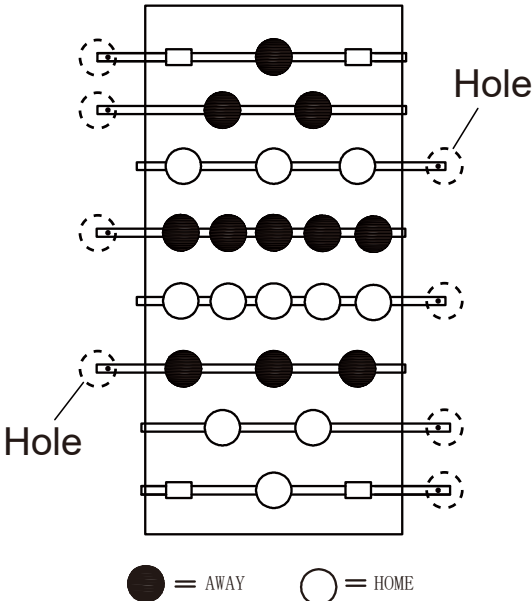
Assembly Instructions

WARNING: TWO ADULTS ARE NEEDED TO ASSEMBLE THE SOCCER TABLE

STEP 7E



Insert the rod end part way through one side panel, and then place the rest of the parts needed on each rod, in the order shown, before inserting through the other side panel.



Assembly Instructions

WARNING: TWO ADULTS ARE NEEDED TO ASSEMBLE THE SOCCER TABLE

STEP 8

