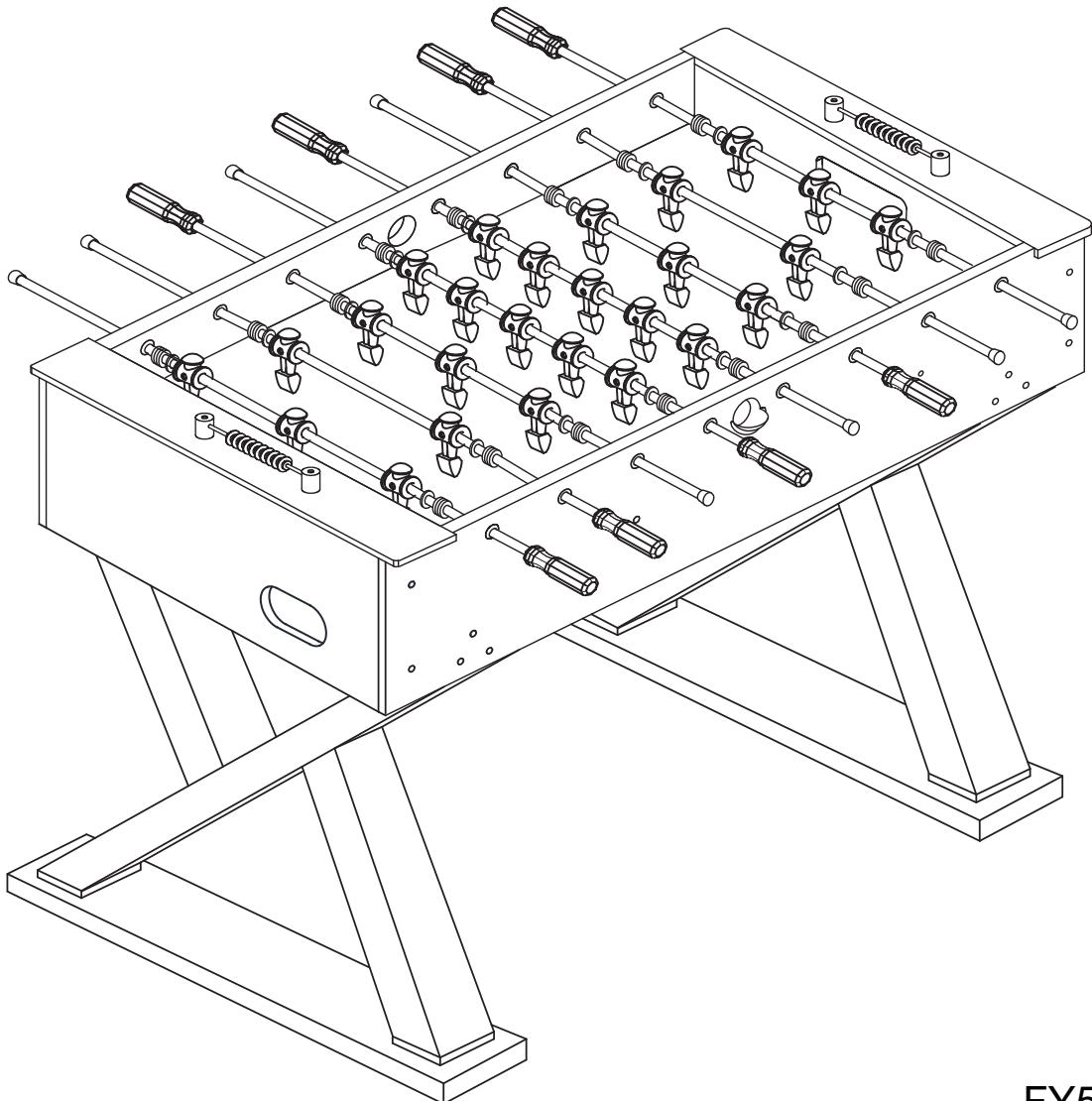




KICK Dominator 55"

(Brown/Black)

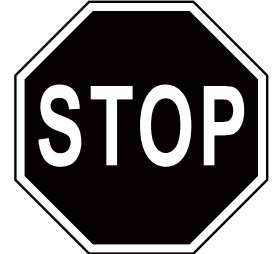
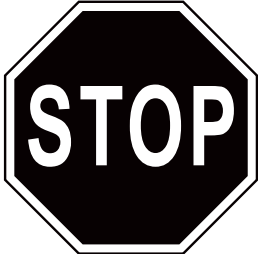
FOOSBALL TABLE ASSEMBLY INSTRUCTIONS



FY505

Assembly Instructions

WARNING: TWO ADULTS ARE NEEDED TO ASSEMBLE THE SOCCER TABLE



Official Website of KICK Foosball Tables



IF YOUR TABLE HAS DAMAGES, MISSING PARTS, OR YOU ARE NOT **100%** SATISFIED PLEASE CONTACT **KICK, NOT THE RESELLER.**

← SCAN THIS QR CODE TO CONTACT US IF YOU FACE ANY ISSUES.

FOR THE LATEST INSTRUCTION MANUALS, VIDEOS, TABLE ASSEMBLY INFO, DIFFERENT GOALIE SETUPS, PLAYER TYPES, AND OTHER HELPFUL TIPS - PLEASE VISIT THE LINK BELOW OR SCAN THIS QR CODE →

www.KICKFoosballTables.com/Instructions/



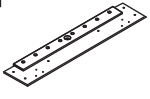
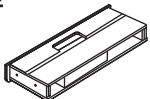
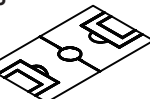
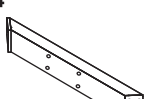
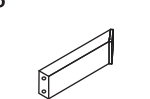
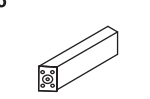
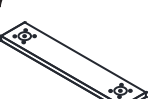


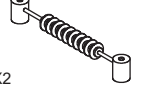
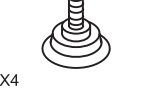
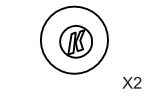
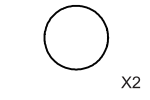



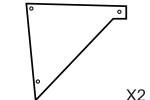
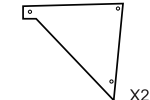
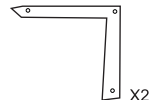
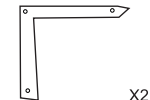
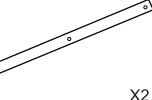
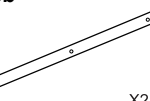
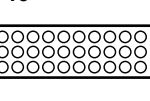
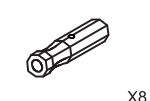








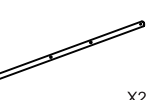
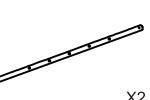
CONTACT INFORMATION:

Email: Support@KICKFoosballTables.com
Website: www.KICKFoosballTables.com
Phone: 1 (866) 844-KICK (5425) or (210) 664-8934









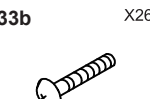
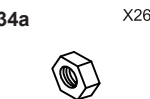




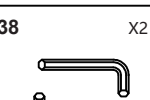
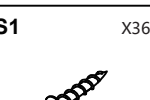
MAILING ADDRESS:

KICK Sports
PO Box 790311
San Antonio, Texas 78279

PARTS LIST

1  SIDE PANEL X2	2  END PANEL X2	3  PLAYFIELD X1	4  LEG-A X2	5  LEG-B X2	6  LEG-C X2	7  LEG BASE X2
8  SUPPORT BRACE X3	9  SUPPORT ROD X3	10  SLIDE SCORER X2	11  LEG LEVELER X4	12A  SOCCER BALL X2	12B  SOCCER BALL X2	12C  SOCCER BALL X2
13  BALL ENTRY CUP X2	14  STOP RING X4	1a  TRIANGLE a X2	1b  TRIANGLE b X2	2a  L STYLE PLASTIC a X2	2b  L STYLE PLASTIC b X2	3a  LONG PLASTIC a X2
3b  LONG PLASTIC b X2	P13  SCREW COVERS (to cover the hole of the screws S1) 1 SET	15  ROD HANDLE X8	16  ROD END CAP X8	17  ROD BUMPER X16	18  ROD WASHER X16	22a  PLAYER X13
22b  PLAYER X13	22c  PLAYER X13	22d  PLAYER X13	23  3 PLAYER ROD X4	24  2 PLAYER ROD X2	25  5 PLAYER ROD X2	

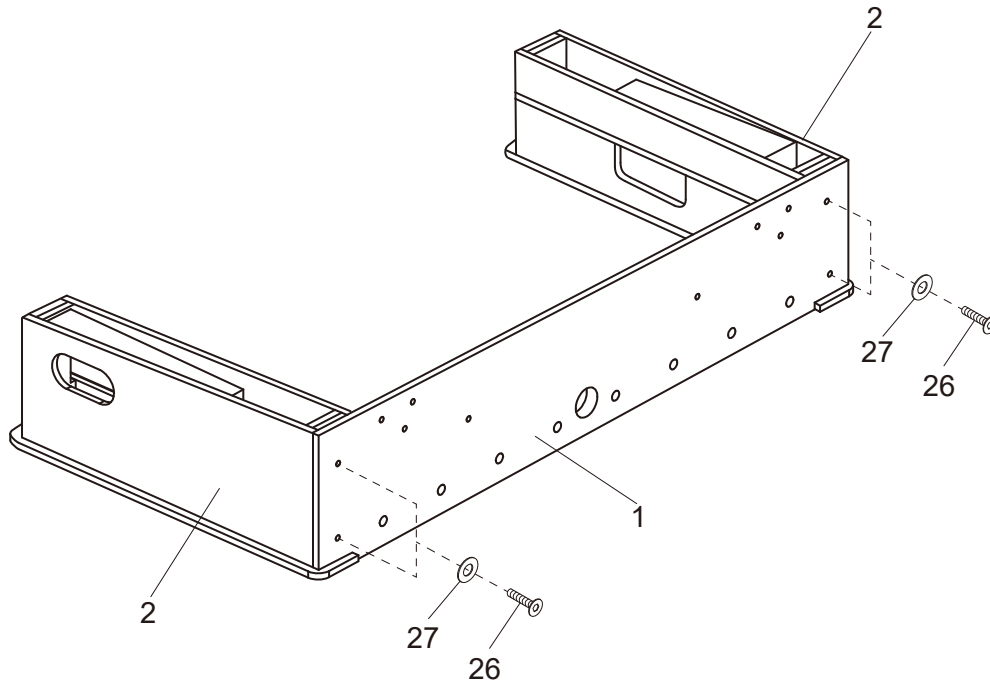
HARDWARE

26  5/16" x 2" BOLT X8	27  5/16" WASHER X28	28  5/16" x 1-1/4" BOLT X12	29  5/16" x 3-3/4" BOLT X8	30  1/4" NUT X6	31  1/8" x 2" SCREWS X4	32  1/8" x 3/4" SCREWS X8
33a  5/32" x 1-1/8" BOLT X26	33b  5/32" x 1-1/8" BOLT X26	34a  5/32" NUT X26	34b  5/32" NUT X26	35  1/8" x 1/2" SCREWS X2	36  1/4" x 1-1/2" BOLT X16	37  1/4" WASHER X16
38  ALLEN WRENCH X2	S1  1/2" FLAT HEAD SCREWS X36					

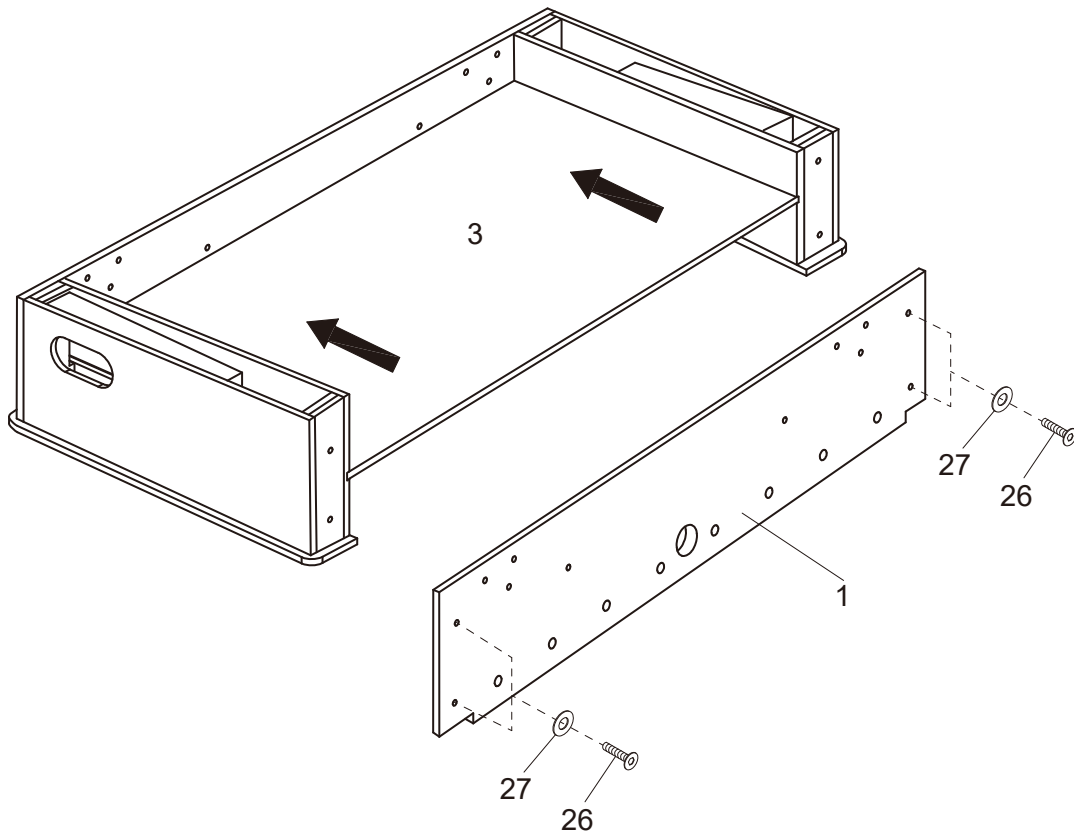
Assembly Instructions

WARNING: TWO ADULTS ARE NEEDED TO ASSEMBLE THE SOCCER TABLE

STEP 1



STEP 2

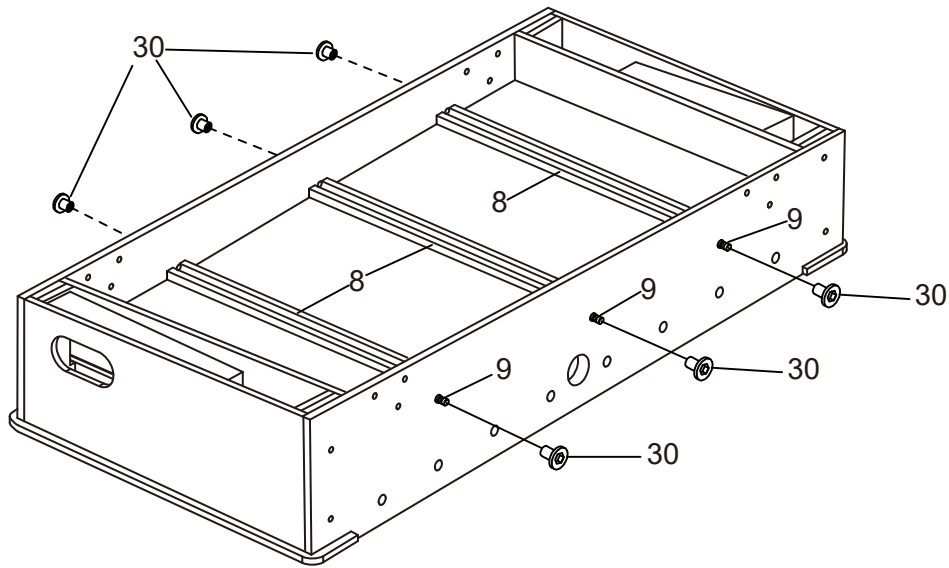


3

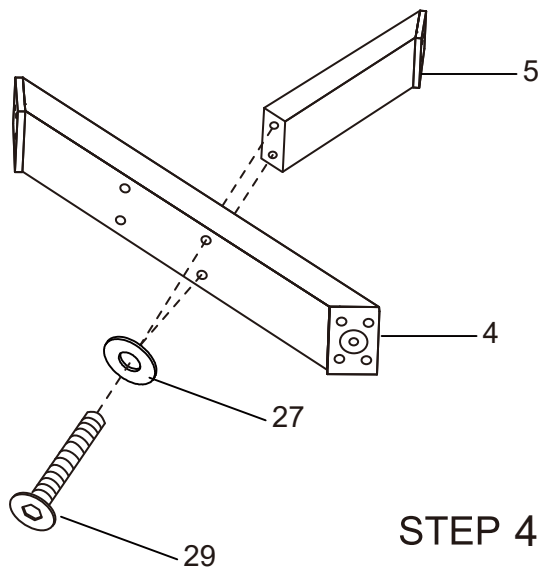
Assembly Instructions

WARNING: TWO ADULTS ARE NEEDED TO ASSEMBLE THE SOCCER TABLE

STEP 3

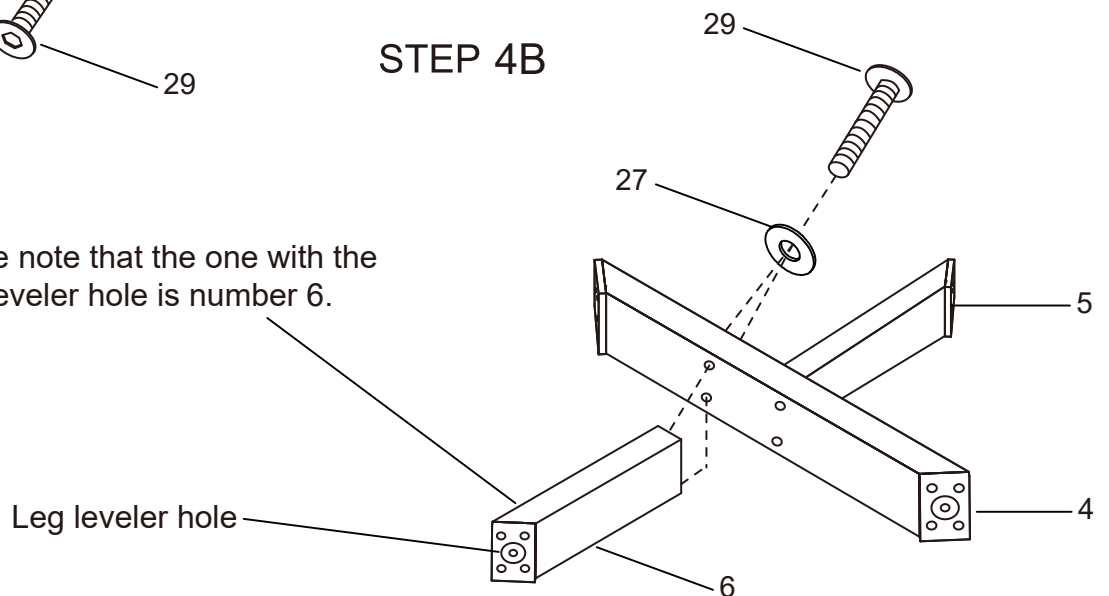


STEP 4A



STEP 4B

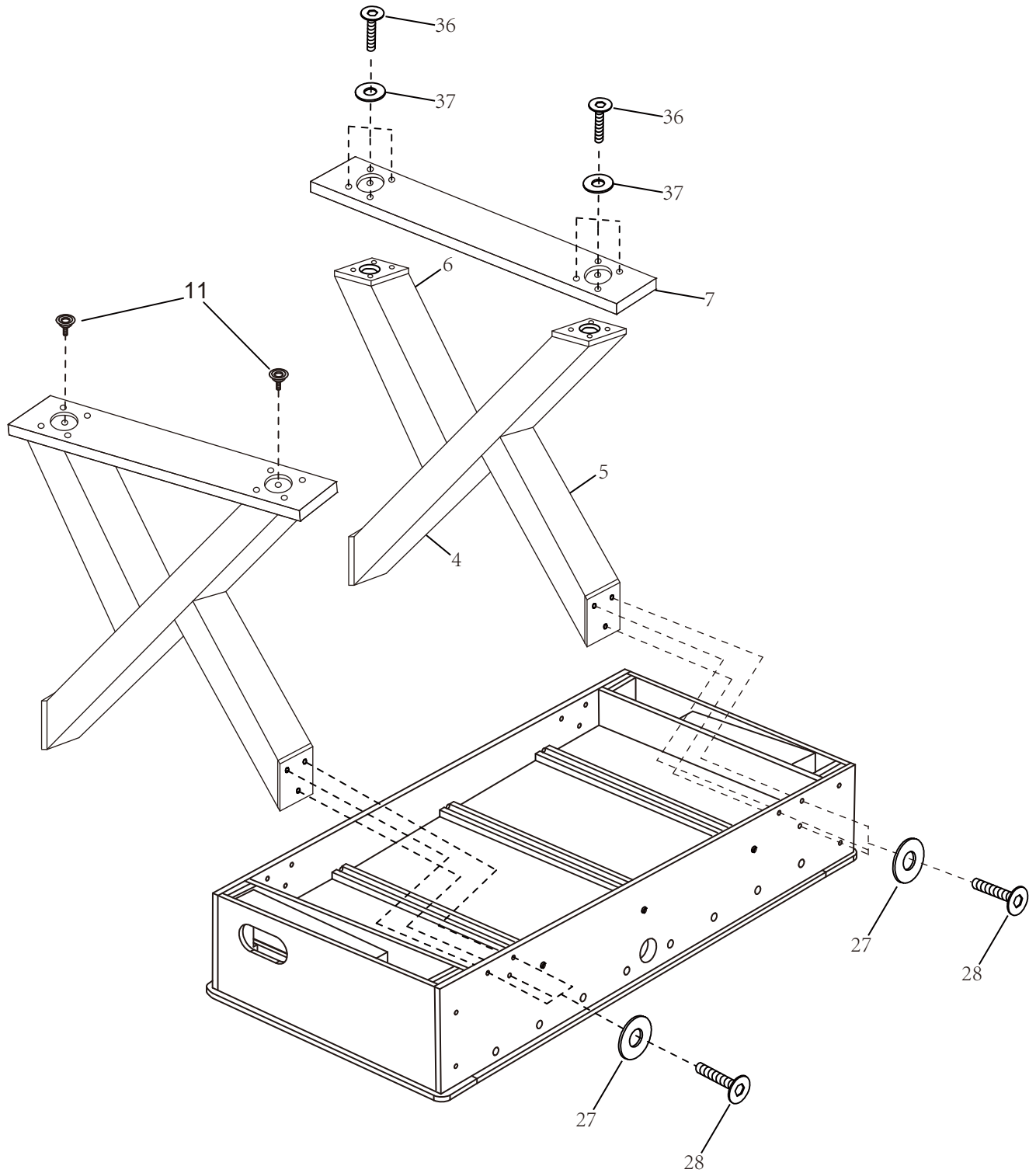
Please note that the one with the Leg Leveler hole is number 6.



Assembly Instructions

WARNING: TWO ADULTS ARE NEEDED TO ASSEMBLE THE SOCCER TABLE

STEP 5

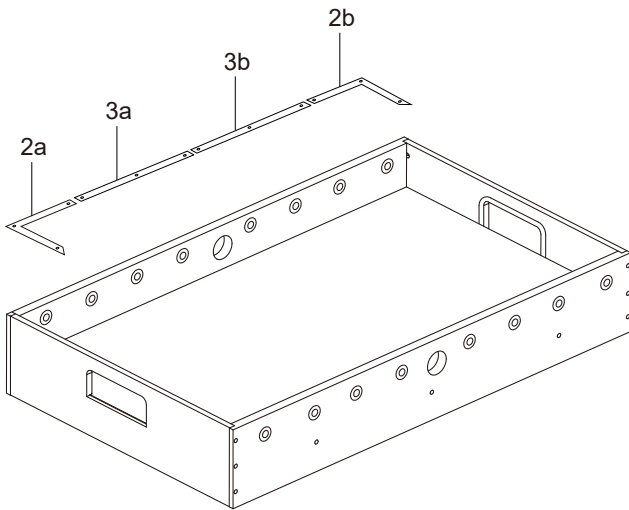


Assembly Instructions

WARNING: TWO ADULTS ARE NEEDED TO ASSEMBLE THE SOCCER TABLE

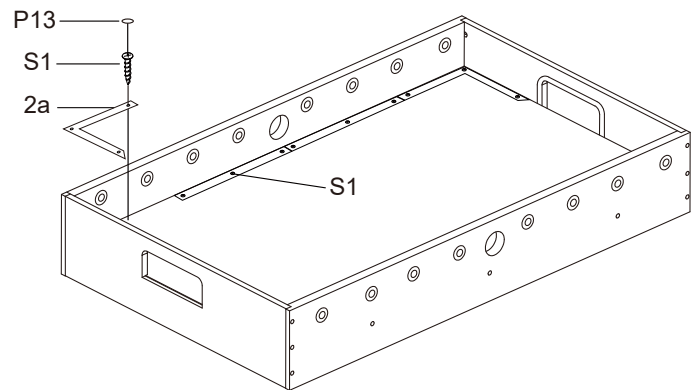
STEP 6A

Steps 6A to 6E are optional if you want.



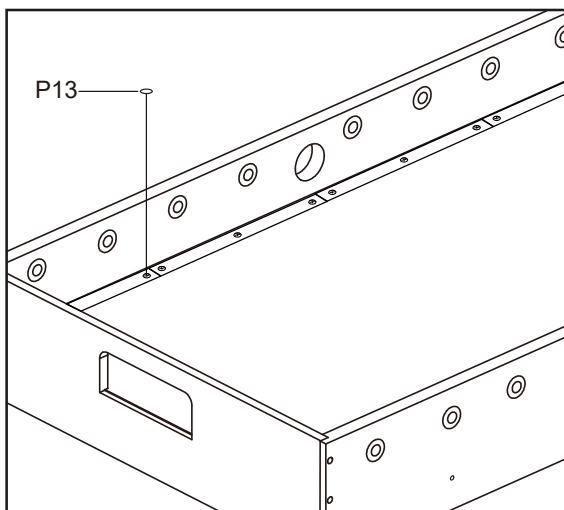
STEP 6B

Attach the plastic 2a, 2b, 3a, 3b to the playing field with S1.

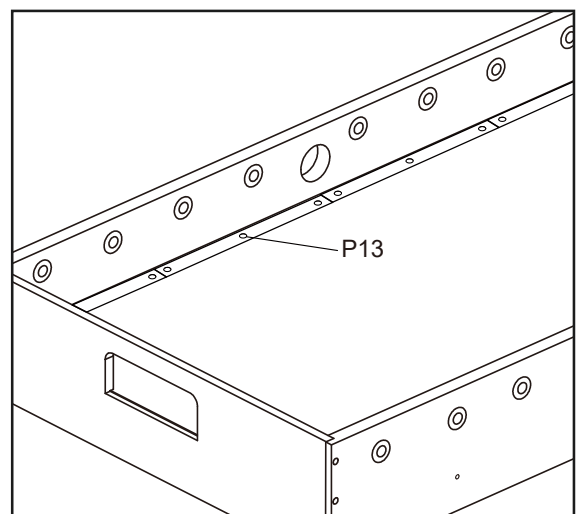


STEP 6C

Cover the Screw Hole Cap P13 to the screw hole.



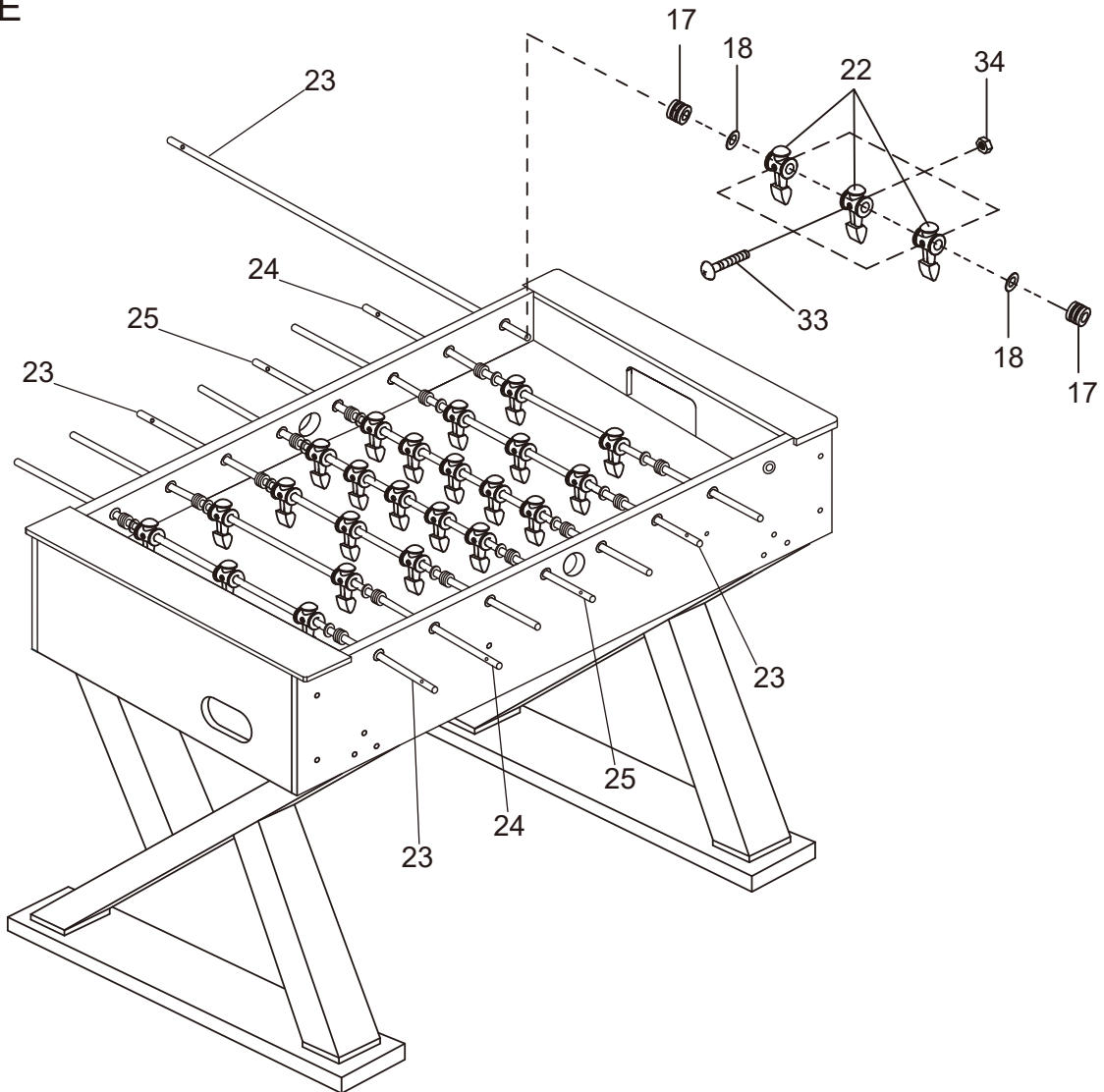
STEP 6D



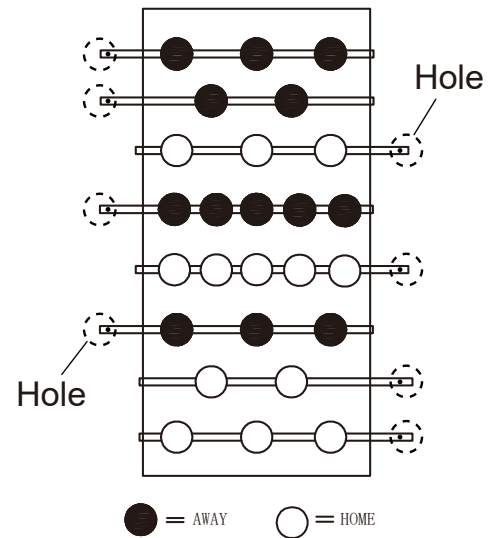
Assembly Instructions

WARNING: TWO ADULTS ARE NEEDED TO ASSEMBLE THE SOCCER TABLE

STEP 6E



Insert the rod end part way through one side panel, and then place the rest of the parts needed on each rod, in the order shown, before inserting through the other side panel.

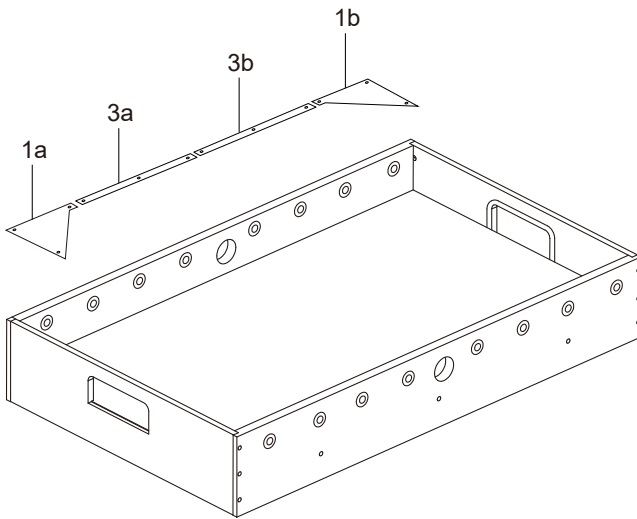


Assembly Instructions

WARNING: TWO ADULTS ARE NEEDED TO ASSEMBLE THE SOCCER TABLE

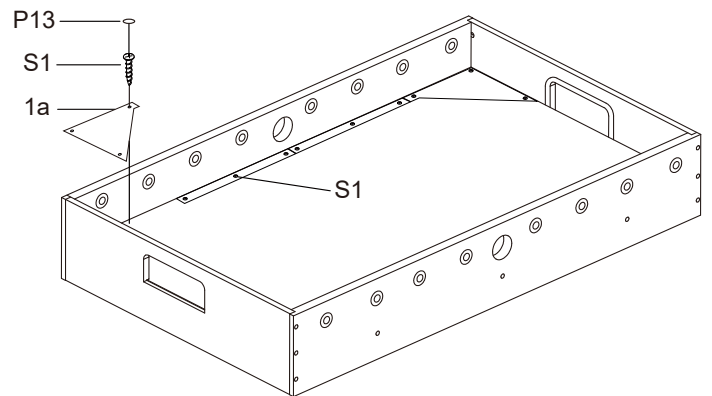
STEP 7A

Steps 7A to 7E are optional if you want.



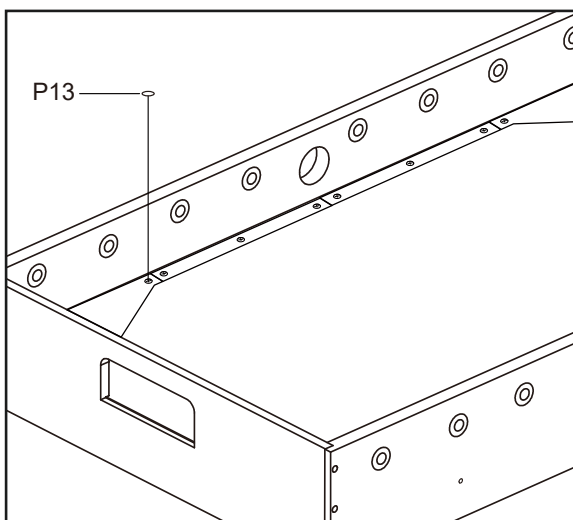
STEP 7B

Attach the plastic 1a, 1b, 3a, 3b to the playing field with S1.

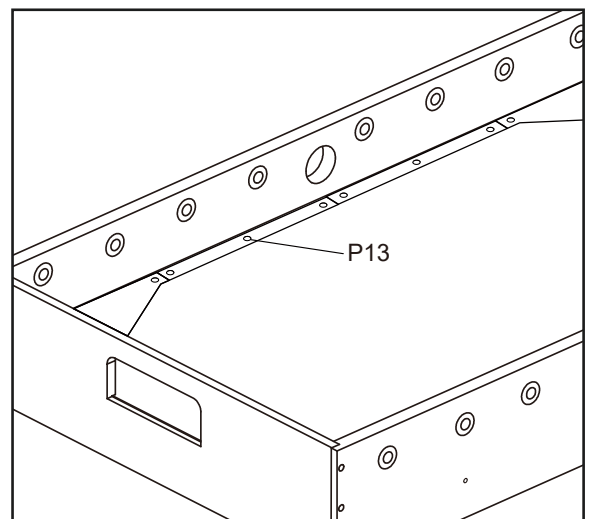


STEP 7C

Cover the Screw Hole Cap P13 to the screw hole.



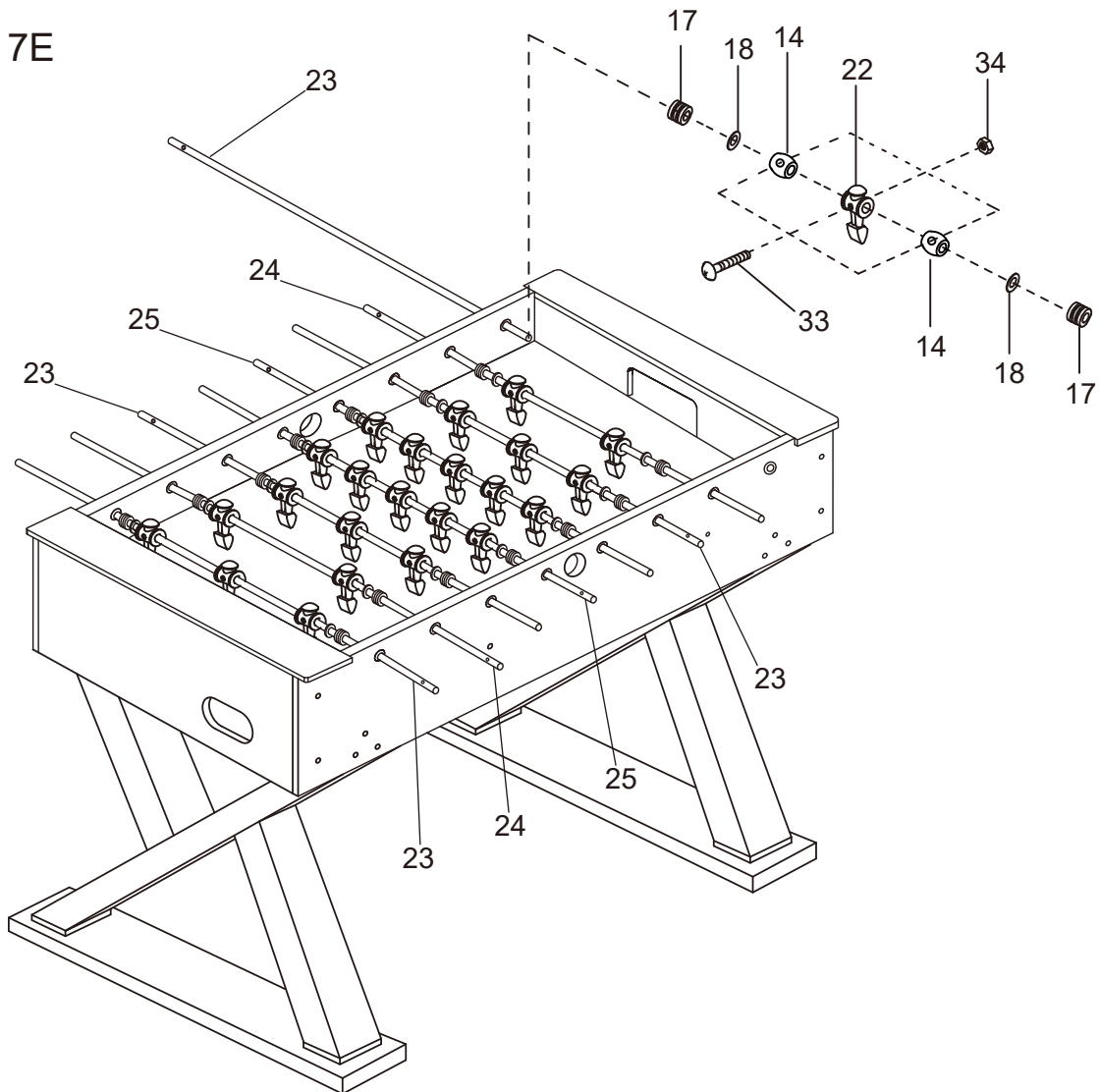
STEP 7D



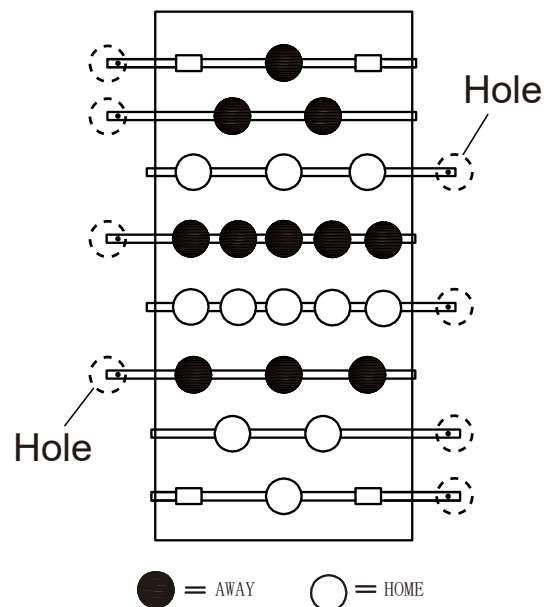
Assembly Instructions

WARNING: TWO ADULTS ARE NEEDED TO ASSEMBLE THE SOCCER TABLE

STEP 7E



Insert the rod end part way through one side panel, and then place the rest of the parts needed on each rod, in the order shown, before inserting through the other side panel.



Assembly Instructions

WARNING: TWO ADULTS ARE NEEDED TO ASSEMBLE THE SOCCER TABLE

STEP 8

