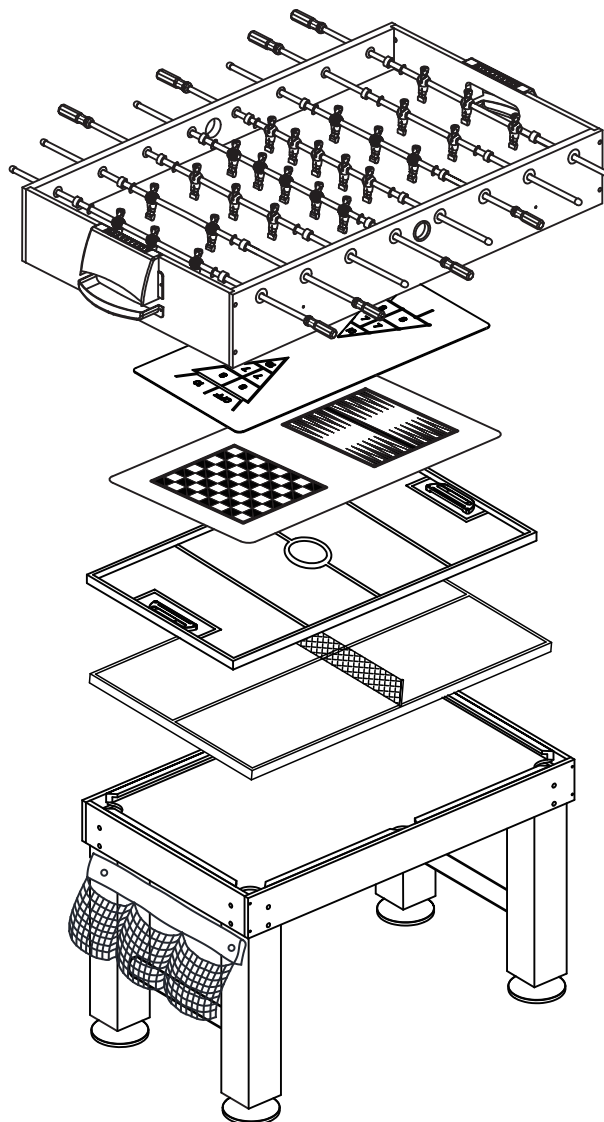




KICK Defender 48"

(Brown/Black)

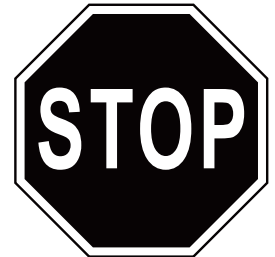
10 IN 1 MULTI-GAME FOOSBALL TABLE
ASSEMBLY INSTRUCTIONS



FY410

Assembly Instructions

WARNING: TWO ADULTS ARE NEEDED TO ASSEMBLE THE SOCCER TABLE



Official Website of KICK Foosball Tables



IF YOUR TABLE HAS DAMAGES, MISSING PARTS, OR YOU ARE NOT **100%** SATISFIED PLEASE CONTACT **KICK, NOT THE RESELLER.**

← SCAN THIS QR CODE TO CONTACT US IF YOU FACE ANY ISSUES.

FOR THE LATEST INSTRUCTION MANUALS, VIDEOS, TABLE ASSEMBLY INFO, DIFFERENT GOALIE SETUPS, PLAYER TYPES, AND OTHER HELPFUL TIPS - PLEASE VISIT THE LINK BELOW OR SCAN THIS QR CODE →

www.KICKFoosballTables.com/Instructions/



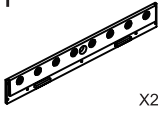
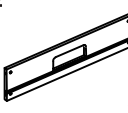
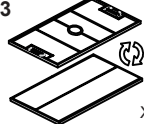
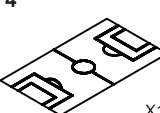
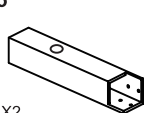
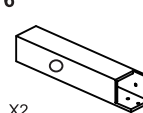
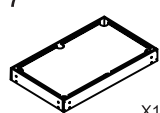
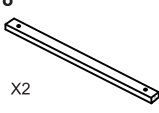
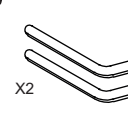
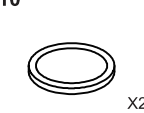
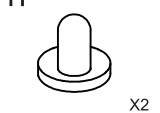

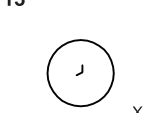



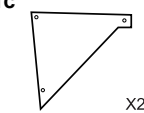
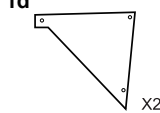
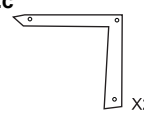
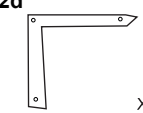
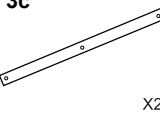
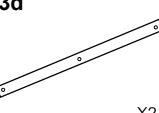
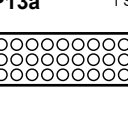
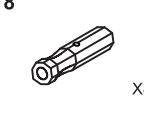





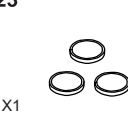

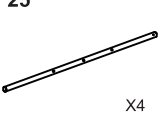
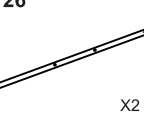
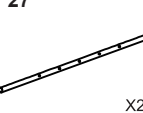
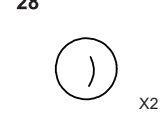
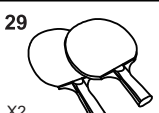

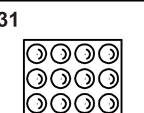

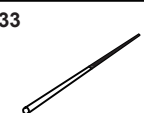

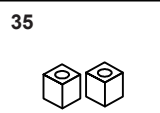

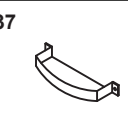

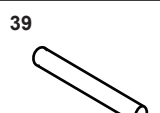

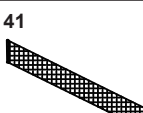

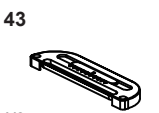
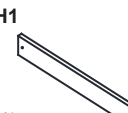

CONTACT INFORMATION:

Email: Support@KICKFoosballTables.com
Website: www.KICKFoosballTables.com
Phone: 1 (866) 844-KICK (5425) or (210) 664-8934

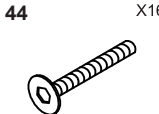
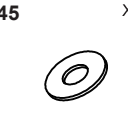
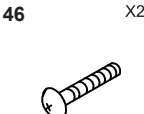
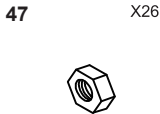
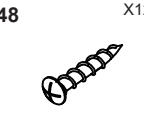

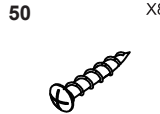
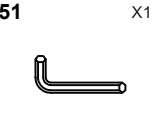

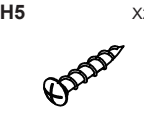
MAILING ADDRESS:

KICK Sports
PO Box 790311
San Antonio, Texas 78279

PARTS LIST

1  X2 SIDE PANEL	2  X2 END PANEL	3  X1 TABLE TENNIS HOCKEY	4  X1 PLAYFIELD	5  X2 RIGHT LEG	6  X2 LEFT LEG	7  X1 BILLIARD TABLE
8  X2 SUPPORT BRACE	9  X2 PUSH HOCKEY STICK	10  X2 PUCK	11  X2 STRIKER	12  X10 BOWLING PIN SET	13  X1 BOWLING BALL	14  X6 PUCKS
15  X1 DICE SET	16  X4 STOP RING	1c  X2 TRIANGLE a	1d  X2 TRIANGLE b	2c  X2 L STYLE PLASTIC a	2d  X2 L STYLE PLASTIC b	3c  X2 LONG PLASTIC a
3d  X2 LONG PLASTIC b	P13a  1 SET SCREW HOLE CAP (to cover the hole of the screws S1)	18  X8 ROD HANDLE	19  X8 ROD END CAP	20  X16 ROD BUMPER	21  X16 ROD WASHER	22a  X13 PLAYER
22b  X13 PLAYER	23  X1 BACKGAMMON SET	24  X1 CHESS SET	25  X4 3 PLAYER ROD	26  X2 2 PLAYER ROD	27  X2 5 PLAYER ROD	28  X2 TABLE TENNIS BALL
29  X2 TABLE TENNIS PADDLE	30  X2 SOCCER BALL	31  X1 BILLIARD BALLS SET	32  X1 TRIANGLE	33  X2 CUC STICK	34  X1 BRUSH	35  X2 CHALKS
36  X2 GOAL BOX TOP	37  X2 GOAL BOX BOTTOM	38  X4 LEG LEVELER	39  X2 LEG CROSS ROD	40  X1 SHUFFLEBOARD /BOWLING TOP	41  X1 TABLE TENNIS NET	42  X2 TABLE TENNIS POSTS
43  X2 (Pre-installed) HOCKEY GOAL	H1  X1 ACCESSORY PANEL	H3  X1 ACCESSORY HOLDER				

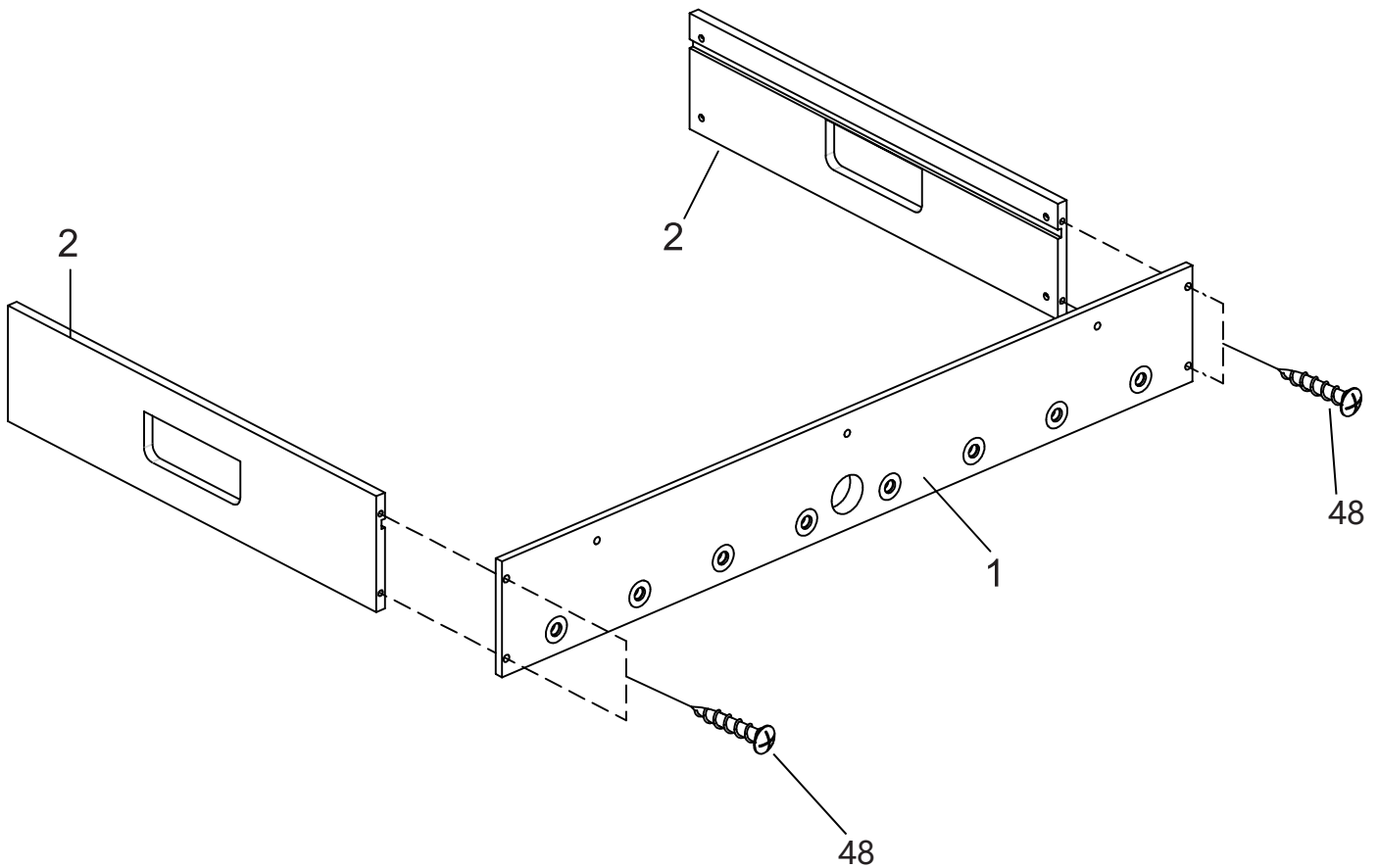
HARDWARE

44  X16 5/16" x 1" BOLT	45  X16 5/16" WASHER	46  X26 1/8" x 3/4" BOLT	47  X26 1/8" NUT	48  X12 1/8" x 1-3/4" SCREWS	49  X8 1/8" x 5/8" SCREWS	50  X8 1/8" x 1/2" SCREWS
51  X1 ALLEN WRENCH	S2  X36 3/8" FLAT HEAD SCREWS	H5  X2 1/8" x 1" SCREWS				

Assembly Instructions

WARNING: TWO ADULTS ARE NEEDED TO ASSEMBLE THE SOCCER TABLE

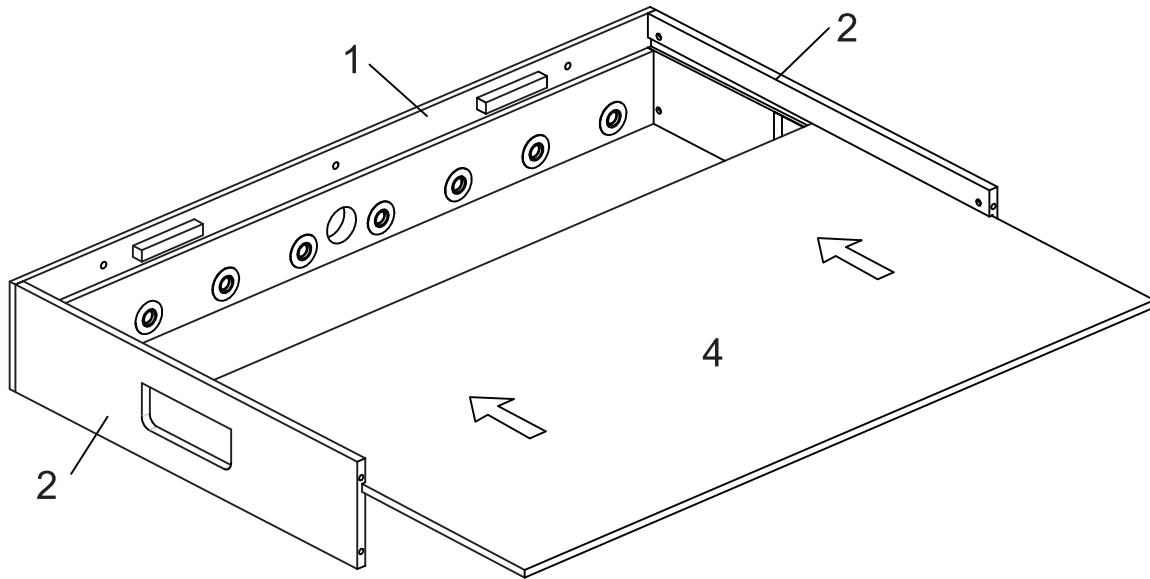
STEP 1



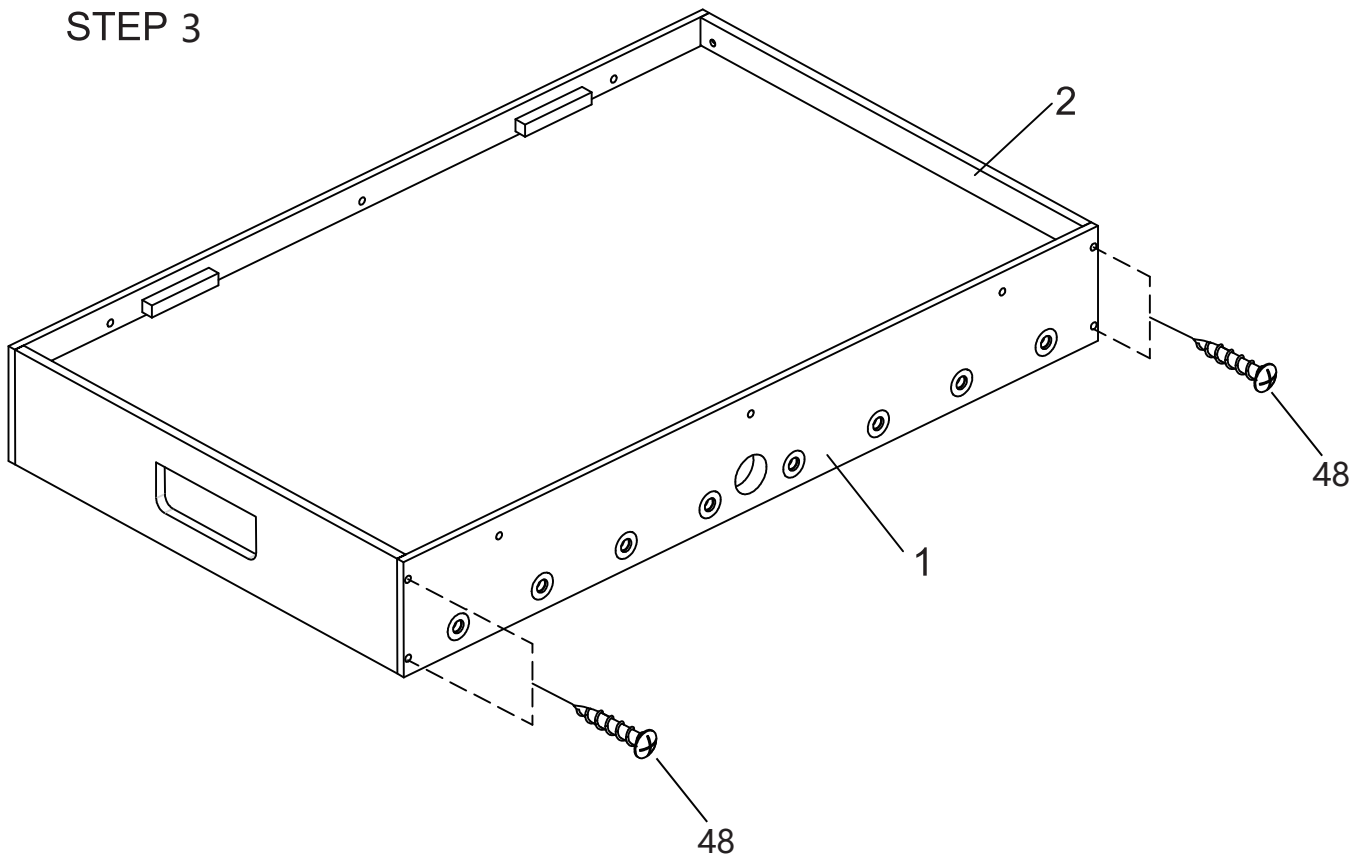
Assembly Instructions

WARNING: TWO ADULTS ARE NEEDED TO ASSEMBLE THE SOCCER TABLE

STEP 2



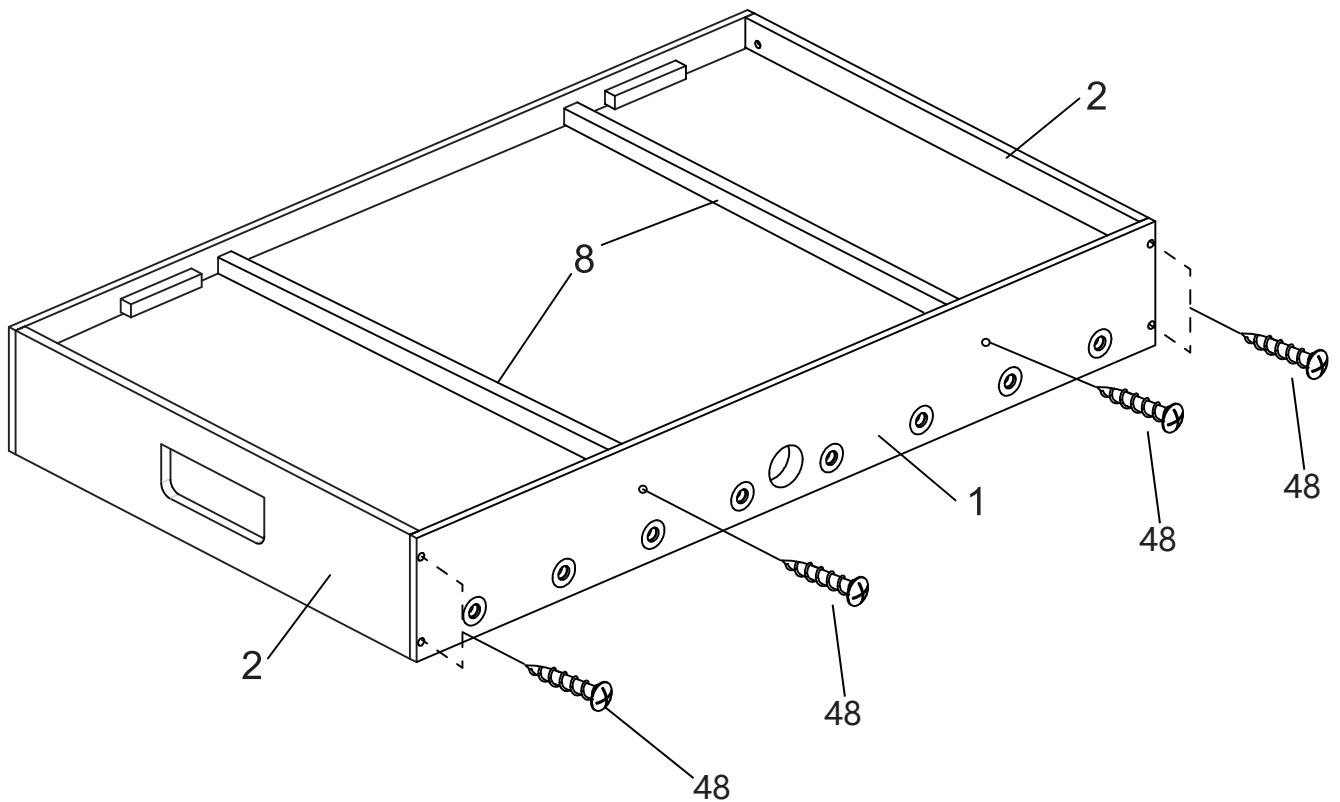
STEP 3



Assembly Instructions

WARNING: TWO ADULTS ARE NEEDED TO ASSEMBLE THE SOCCER TABLE

STEP 4

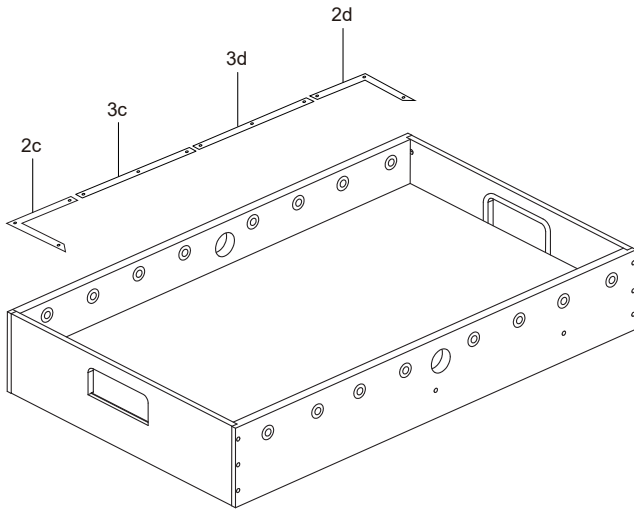


Assembly Instructions

WARNING: TWO ADULTS ARE NEEDED TO ASSEMBLE THE SOCCER TABLE

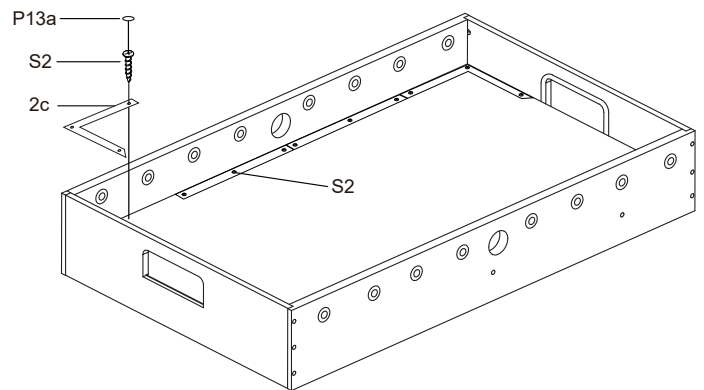
STEP 5A

Steps 5A to 5E are optional if you want.



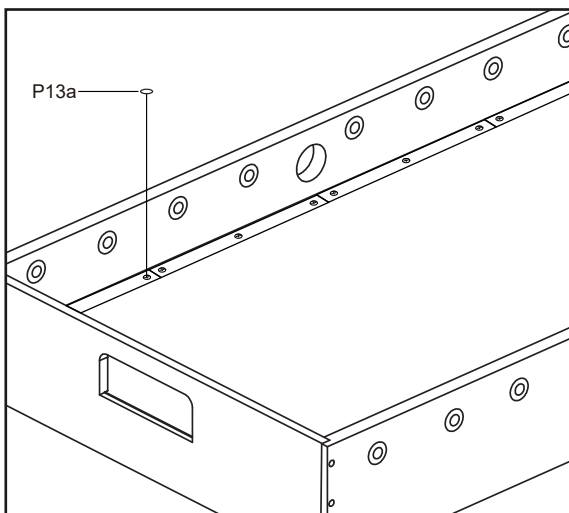
STEP 5B

Attach the plastic 2c, 2d, 3c, 3d to the playing field with S2.

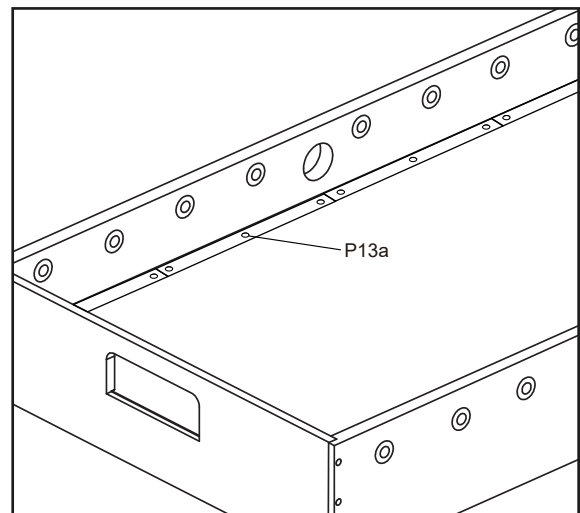


STEP 5C

Cover the Screw Hole Cap P13a to the screw hole.



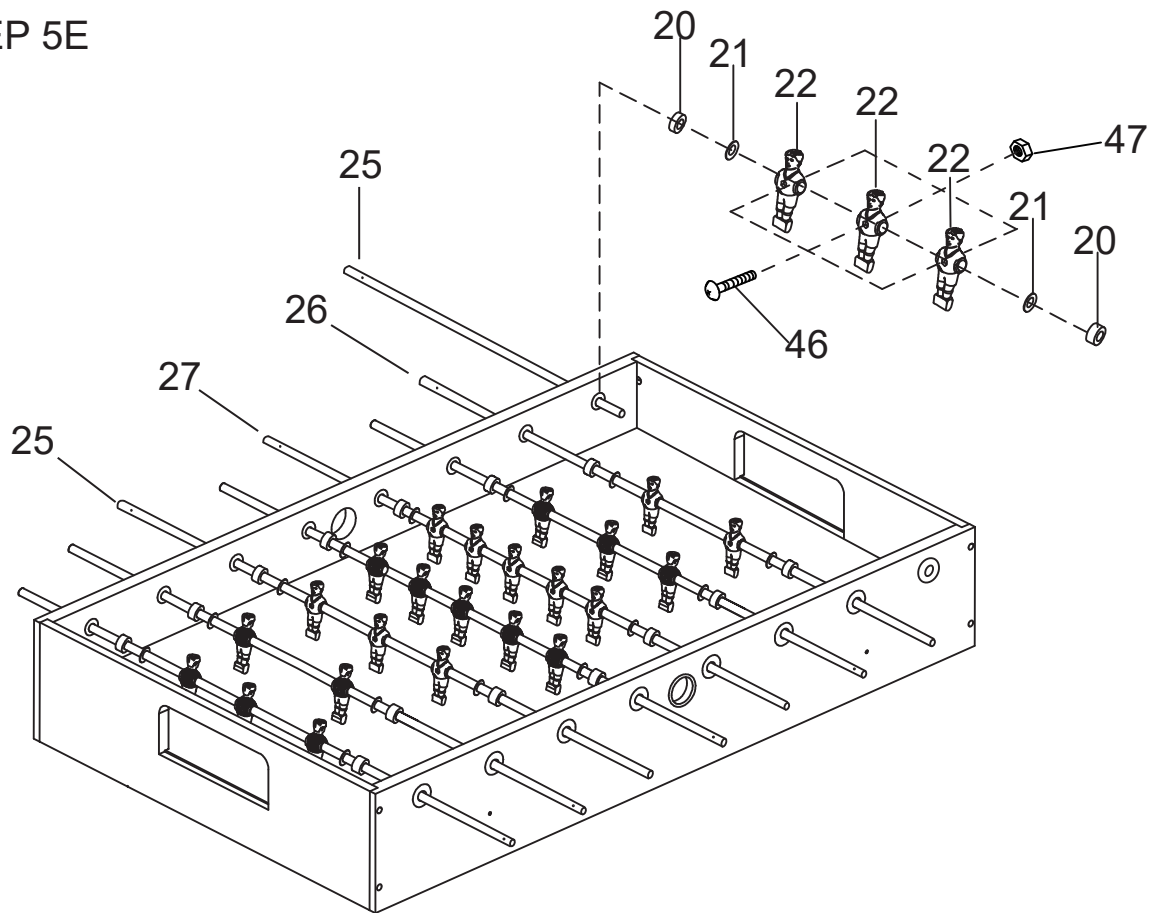
STEP 5D



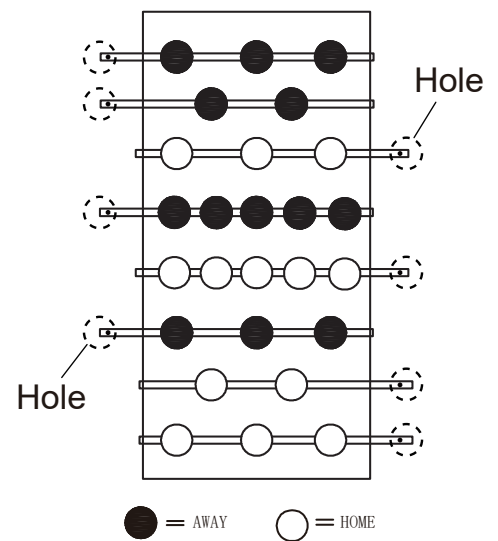
Assembly Instructions

WARNING: TWO ADULTS ARE NEEDED TO ASSEMBLE THE SOCCER TABLE

STEP 5E



Insert the rod end part way through one side panel, and then place the rest of the parts needed on each rod, in the order shown, before inserting through the other side panel.

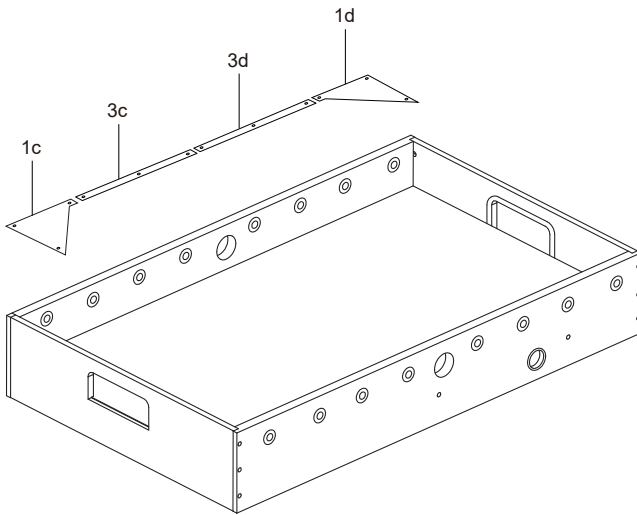


Assembly Instructions

WARNING: TWO ADULTS ARE NEEDED TO ASSEMBLE THE SOCCER TABLE

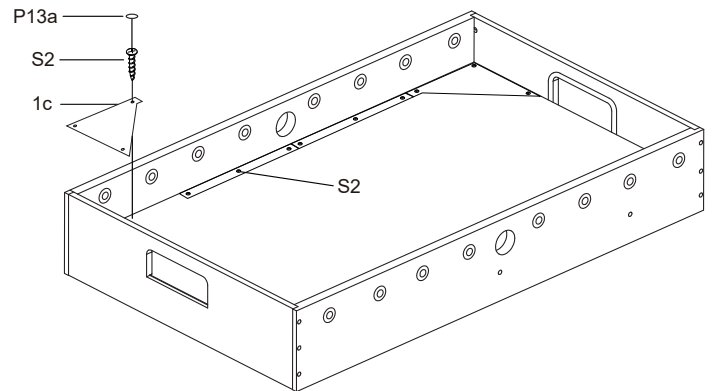
STEP 6A

Steps 6A to 6E are optional if you want.



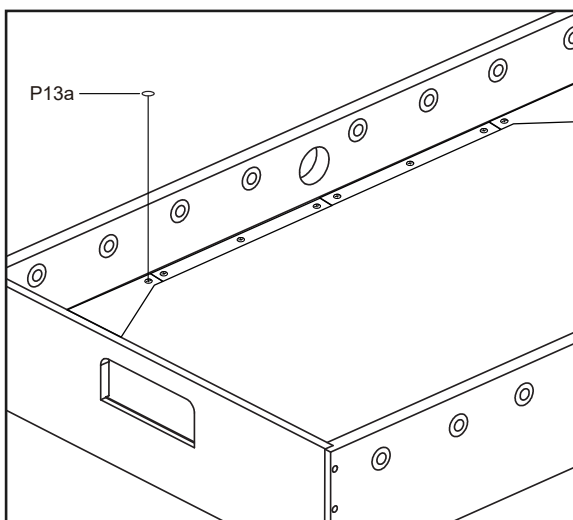
STEP 6B

Attach the plastic 1c, 1d, 3c, 3d to the playing field with S2.

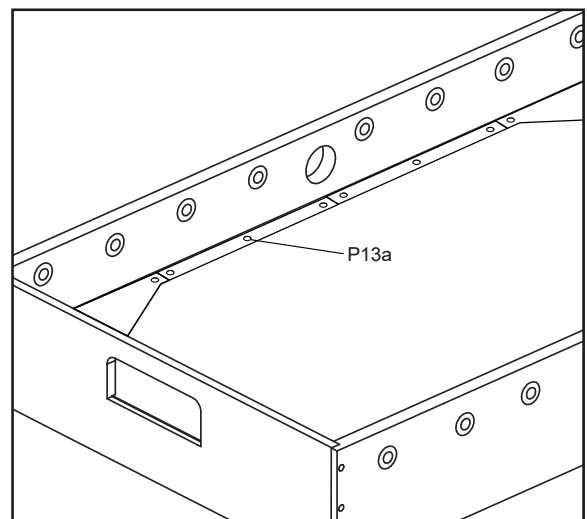


STEP 6C

Cover the Screw Hole Cap P13a to the screw hole.



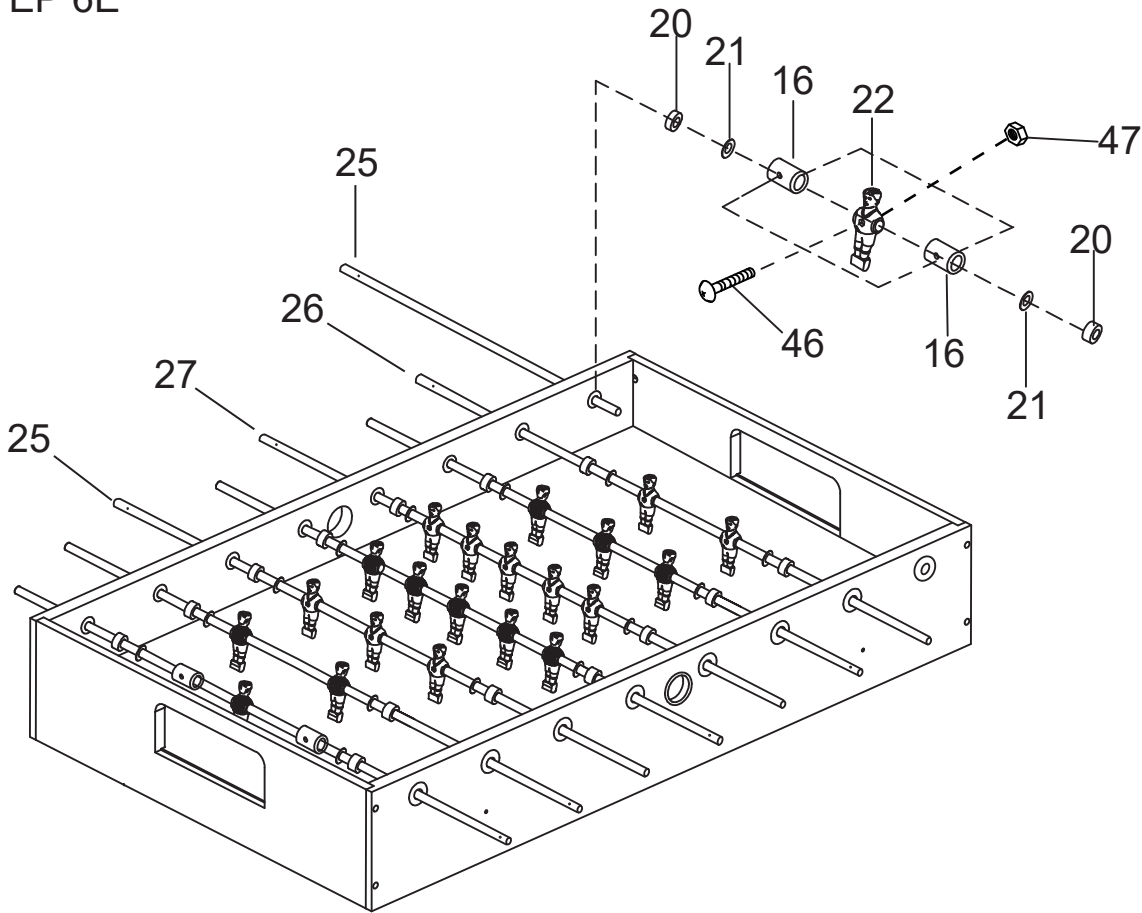
STEP 6D



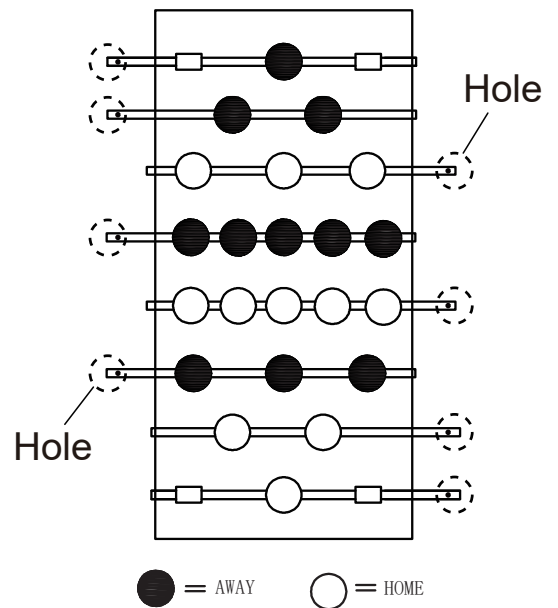
Assembly Instructions

WARNING: TWO ADULTS ARE NEEDED TO ASSEMBLE THE SOCCER TABLE

STEP 6E



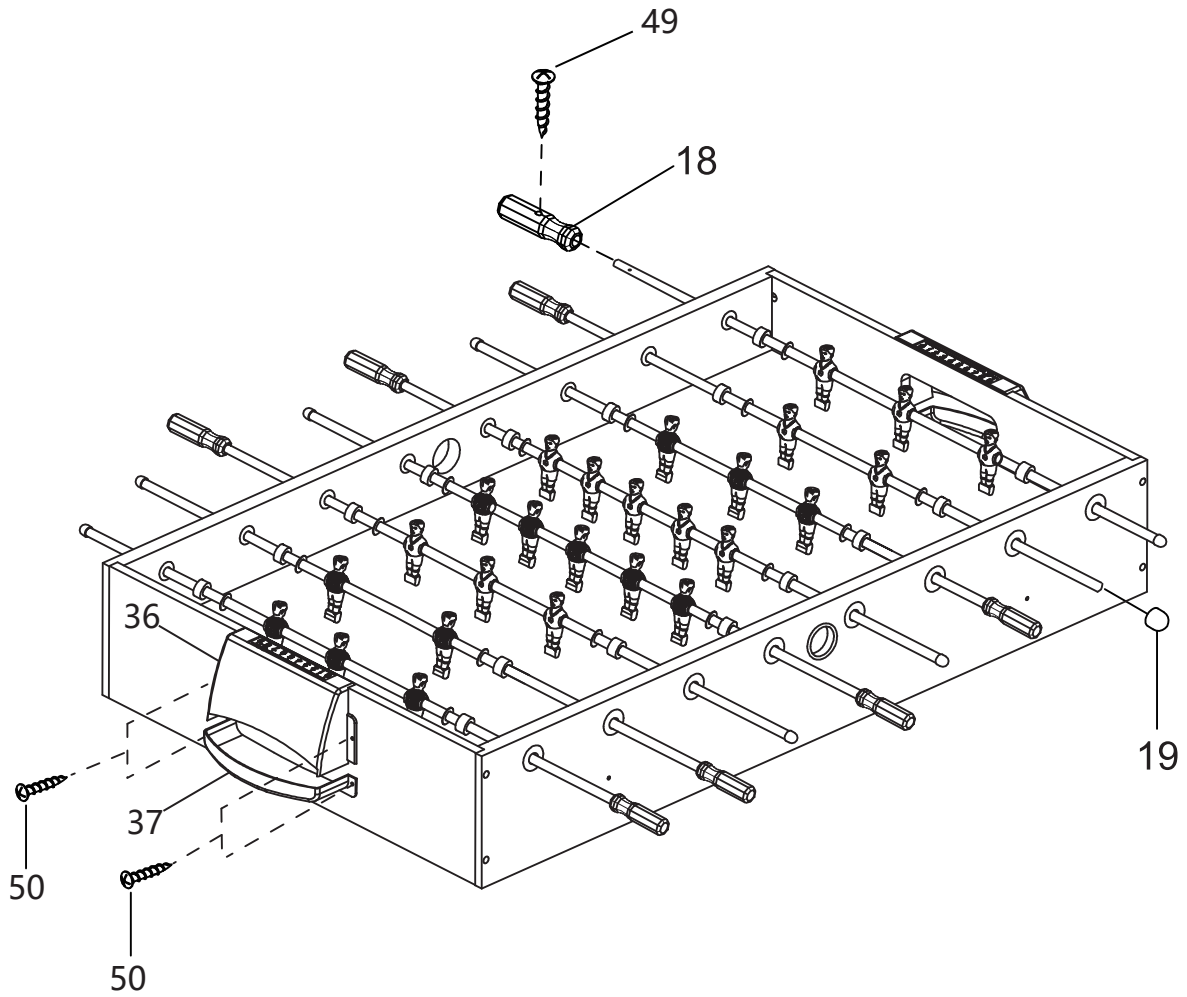
Insert the rod end part way through one side panel, and then place the rest of the parts needed on each rod, in the order shown, before inserting through the other side panel.



Assembly Instructions

WARNING: TWO ADULTS ARE NEEDED TO ASSEMBLE THE SOCCER TABLE

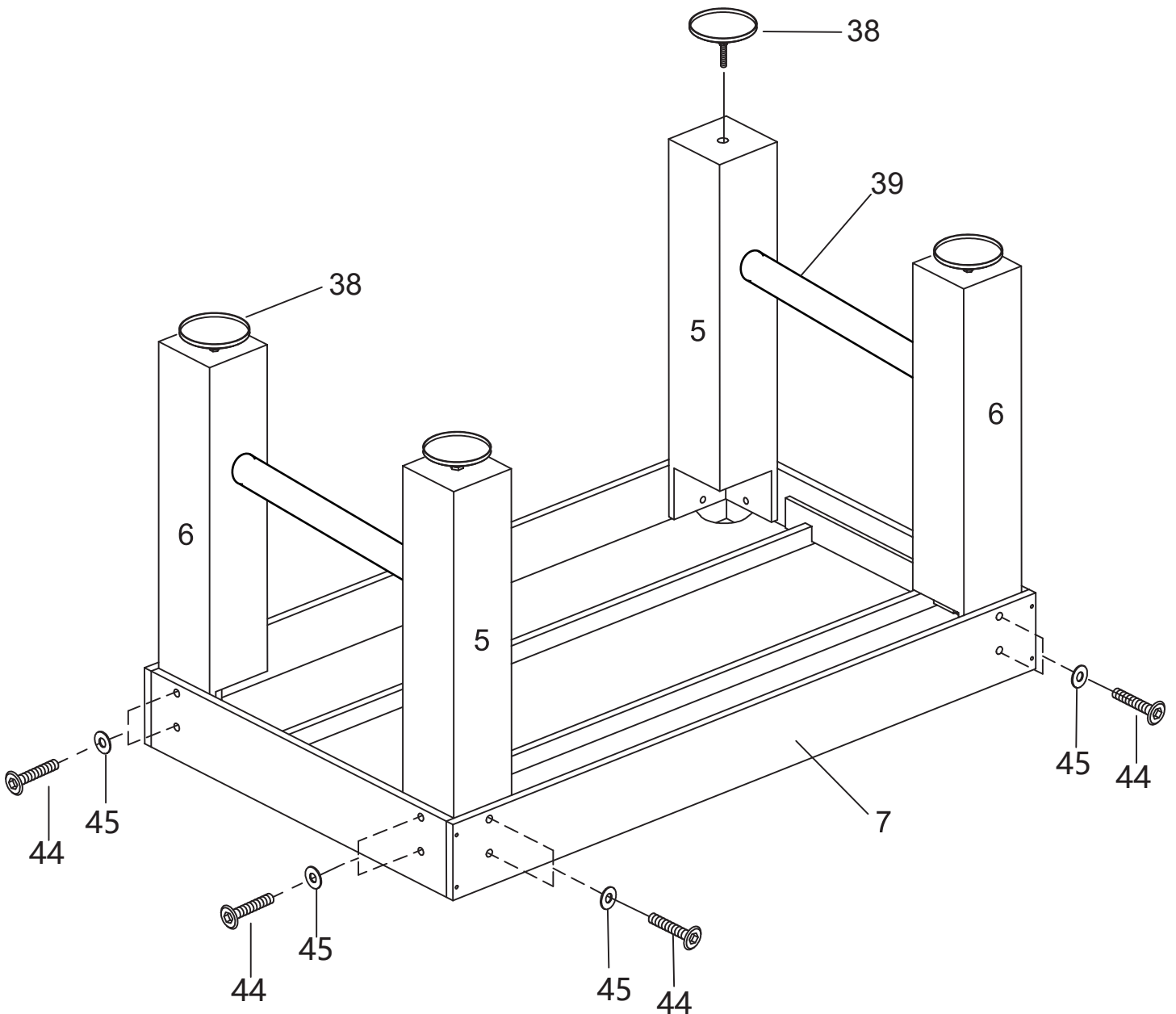
STEP 7



Assembly Instructions

WARNING: TWO ADULTS ARE NEEDED TO ASSEMBLE THE SOCCER TABLE

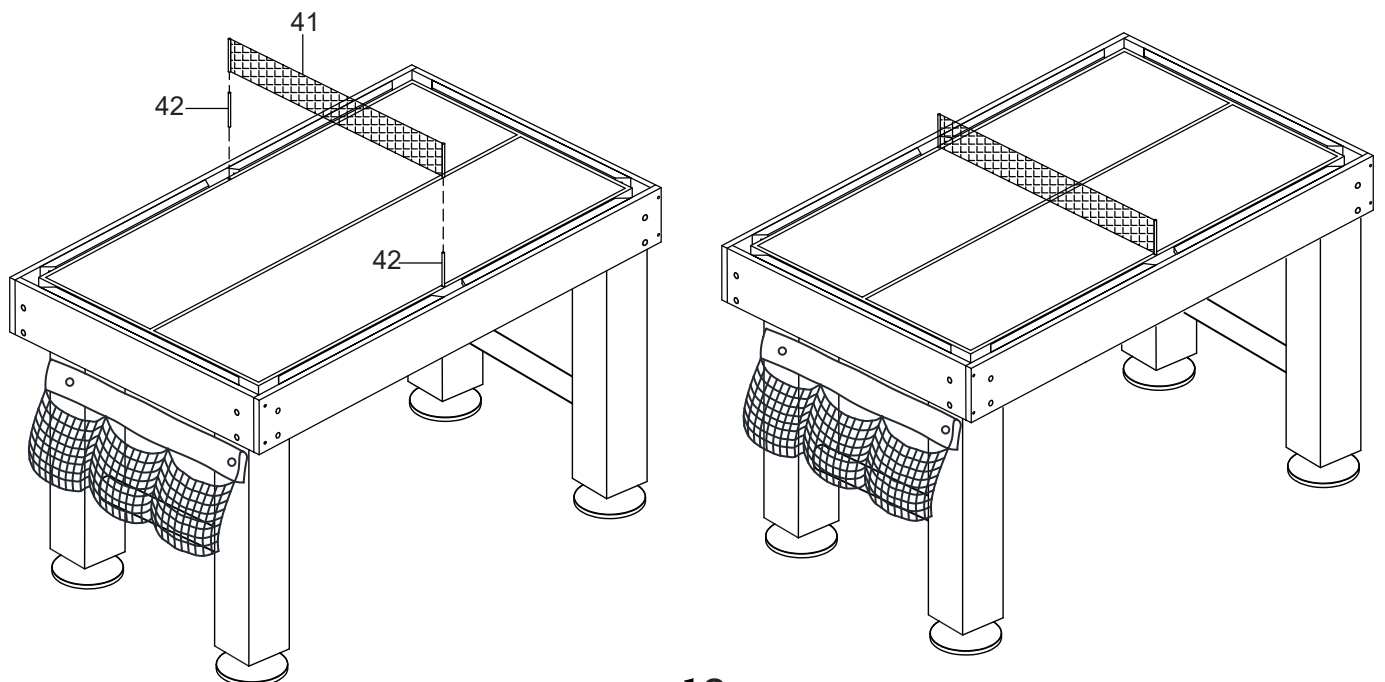
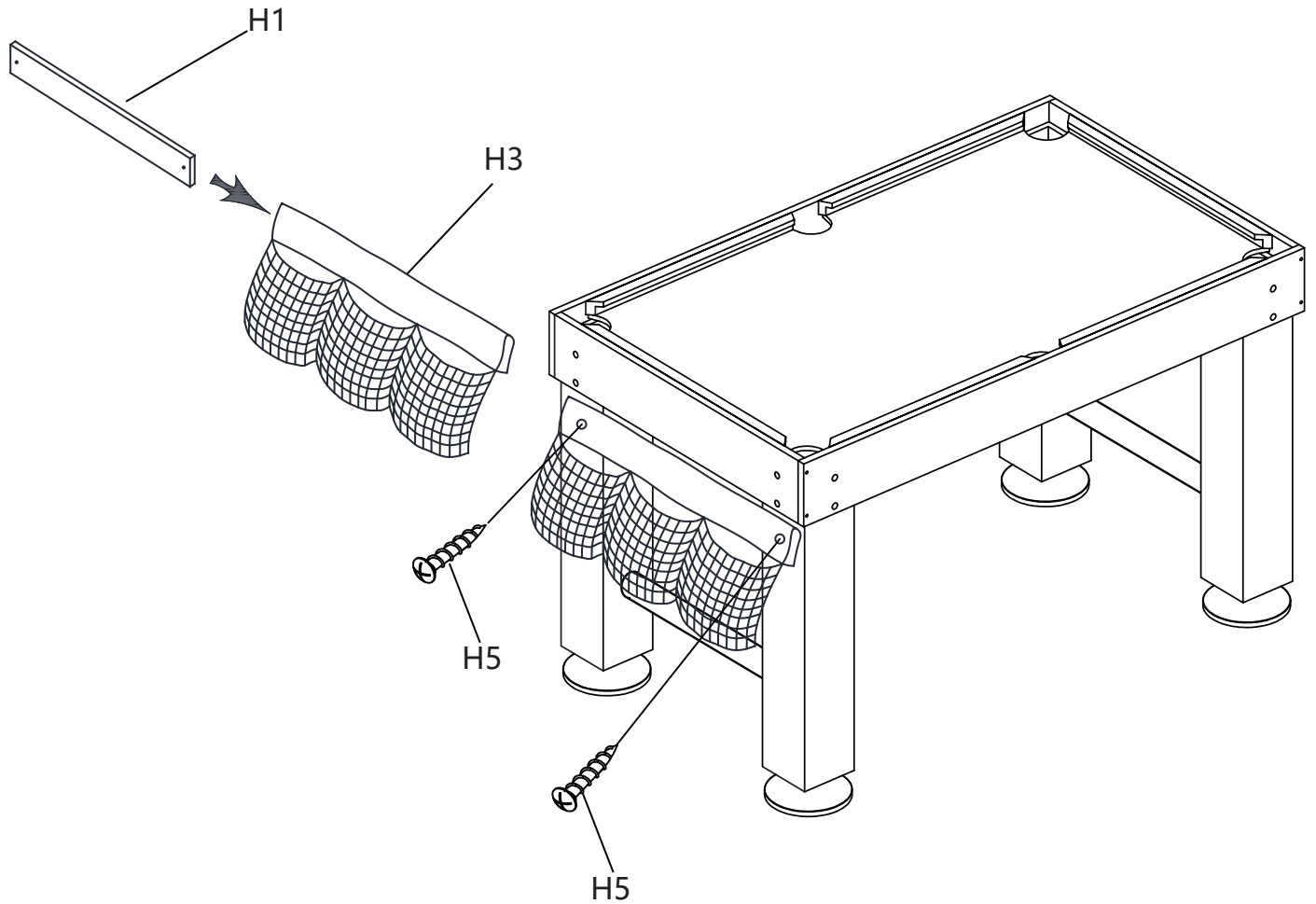
STEP 8



Assembly Instructions

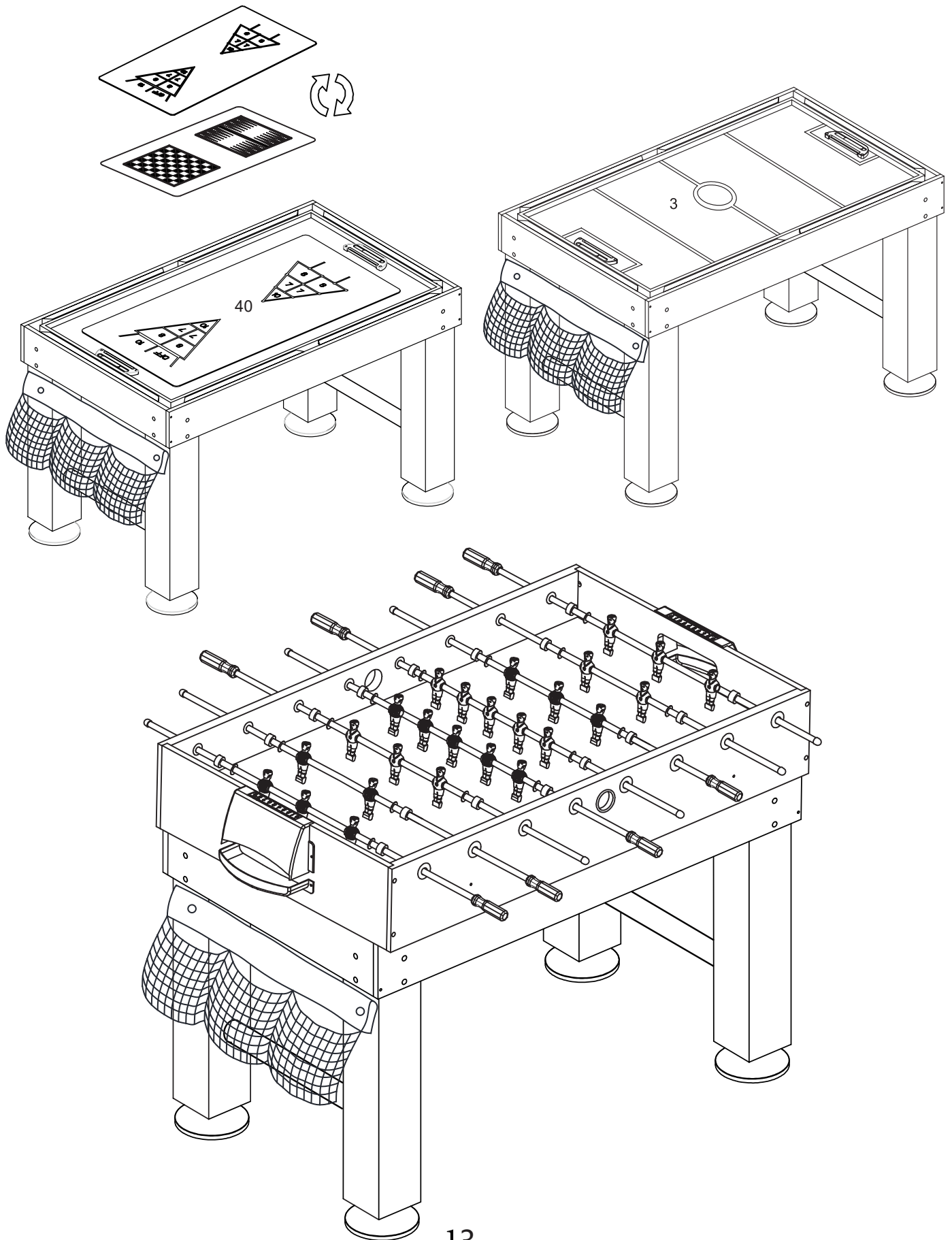
WARNING: TWO ADULTS ARE NEEDED TO ASSEMBLE THE SOCCER TABLE

STEP 9



Assembly Instructions

WARNING: TWO ADULTS ARE NEEDED TO ASSEMBLE THE SOCCER TABLE



Assembly Instructions

WARNING: TWO ADULTS ARE NEEDED TO ASSEMBLE THE SOCCER TABLE

