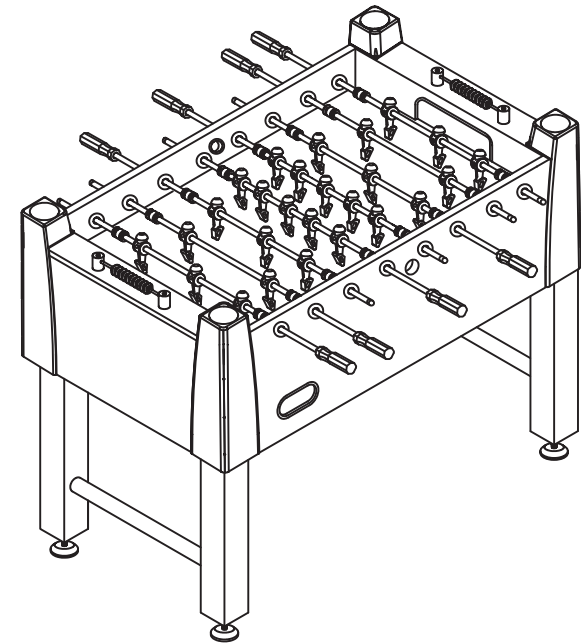




# TABLE SOCCER

## ASSEMBLY INSTRUCTIONS



# ASSEMBLY INSTRUCTIONS

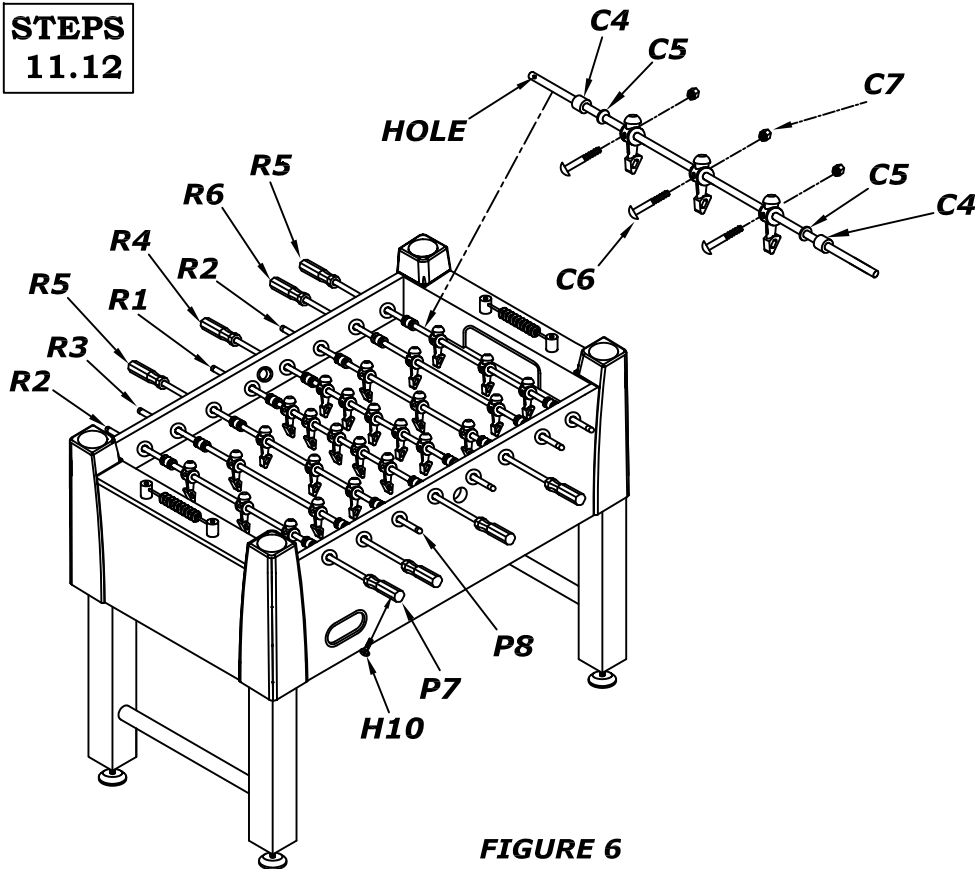
## SOCCKER TABLE ASSEMBLY

**WARNING: TWO ADULTS NEEDED TO ASSEMBLE SOCCER TABLE**

11. INSERT THE PLAYER RODS **C1&C2&C3** THROUGH ONR SIDE PANEL, THEN INSERT PLAYERS **C8&C9** AND RUBBER BUSHINGS **C4**, PLASTIC WASHERS **C5** THROUGH THE ROD, REFER TO **R1~R6**. THEN INSERT THE PLAYER ROD THROUGH OTHER SIDE PANEL, ATTACH THE PLAYERS **C8&C9** WITH BOLTS **C6** AND NUTS **C7**. SEE **Figure 6**.
12. ATTACH THE HANDLES **P7** WITH BOLT **H10**.  
SLIDE THE RUBBER CAPS **P8** ON THE OTHER END OF THE ROD .

**Tighten all the hardware before playing games !**

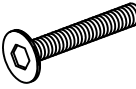
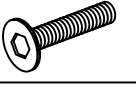

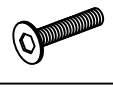

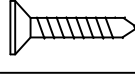
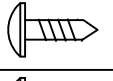
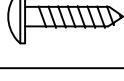

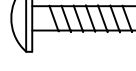
**STEPS**  
**11.12**



**FIGURE 6**

# PARTS IDENTIFIER

## HARDWARE

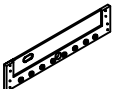


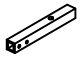
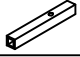
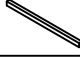

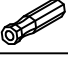
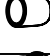







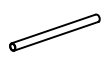
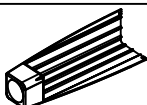
	DESCRIPTION	QTY. REQUIRED <small>(EXTRA PIECES MAY BE INCLUDED)</small>
	<b>H1</b> 5/16"x1-5/8" BOLT	8
	<b>H2</b> 5/16"x1-1/8" BOLT	8
	<b>H3</b> 5/16" WASHER,	16
	<b>H4</b> 1/4"x1-3/4" BOLT	8
	<b>H5</b> 1/4" WASHER,	8
	<b>H6</b> 1-1/8"FLAT HEAD PHILLIPS SCREW	16
	<b>H7</b> 1/2"ROUND HEAD PHILLIPS SCREW	52
	<b>H8</b> 5/8"ROUND HEAD PHILLIPS SCREW	10
	<b>H9</b> 1-3/4"FLAT HEAD PHILLIPS SCREW	4
	<b>H10</b> BOLT	8

## ACCESSORIES

		QTY
	<b>A1</b> SOCCER BALL	4
	<b>A2</b> TOOL	1

# PARTS IDENTIFIER

## ASSEMBLY PARTS

	DESCRIPTION	QTY
	<b>P1</b> SIDE PANEL	2
	<b>P2</b> END PANEL	2
	<b>P3</b> PLAYING FIELD	1
	<b>P4A</b> LEG A	2
	<b>P4B</b> LEG B	2
	<b>P5</b> PLAYFIELD SUPPORT BRACE	3
	<b>P6</b> SUPPORT BRACKET	6
	<b>P7</b> HANDLE	8
	<b>P8</b> ROD END CAP	8
	<b>P9A</b> BALL ENTRY CUP	2
	<b>P9B</b> BALL ENTRY SOCKET	2
	<b>P10</b> SLIDE SCORER	2
	<b>P11</b> LEG LEVELER	4
	<b>P12</b> BALL CATCHER	2
	<b>P13</b> GOAL	2
	<b>P14</b> BALL RUNNER	2
	<b>P15</b> CROSS BAR	2
	<b>P16</b> CORNER	4

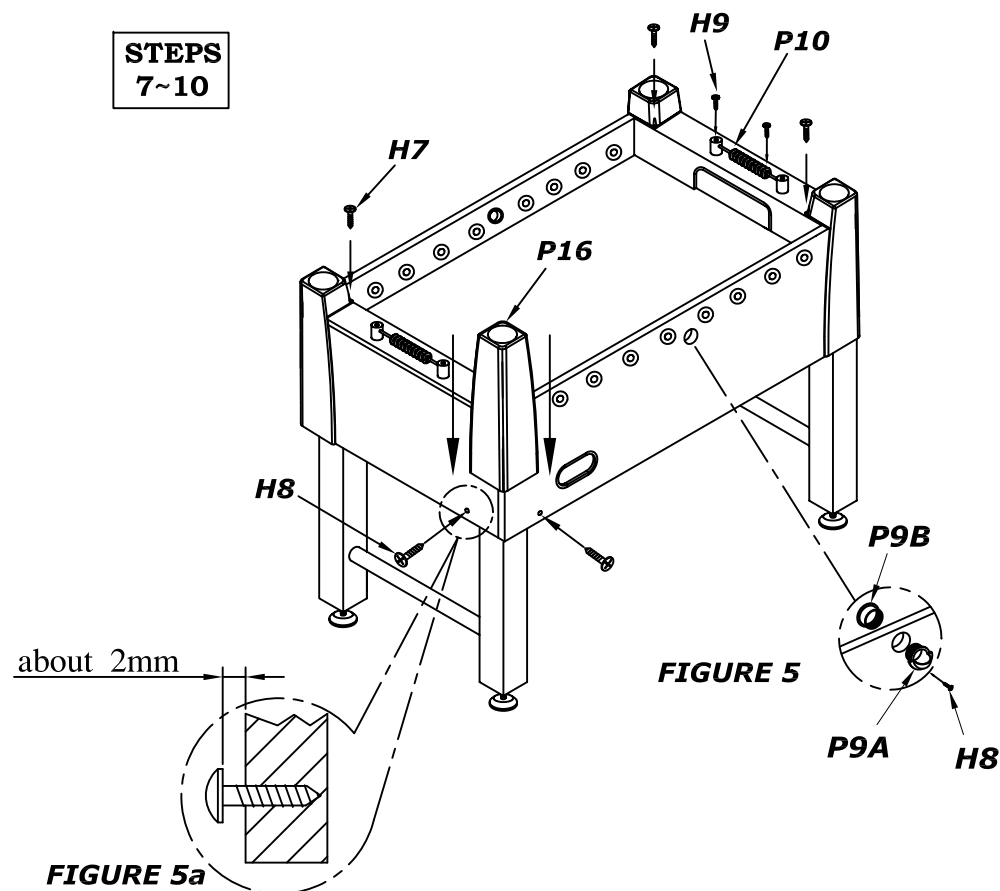
# ASSEMBLY INSTRUCTIONS

## SOCGER TABLE ASSEMBLY

**WARNING: TWO ADULTS NEEDED TO ASSEMBLE SOCCER TABLE**

- ATTACH BALL ENTRY CUPS **P9A** AND **P9B** TO THE SIDE PANELS WITH SCREWS **H8** AS SHOWN IN **figure 5**. ATTACH THE TWO SETS OF SLIDE SCORER **P10** TO THE END OF TABLE WITH PHILLIS HEAD SCREWS **H9**.
- KEEP 2mm DIFFERENCE BETWEEN **H8** AND SINDE PANELS AS SHOWN IN **figure 5**.
- ATTACH PLASTIC CORNER **P16** TO SIDE AND END PANELS FROM UP TO DOWN, STUCK IT ON SCREW **H8**.(PLEASE ADJUST THE DISTANCE BETWEEN **H8** AND SIDE PANELS PROPERLY TO EASIER ASSEMBLE).
- ATTACH PLASTIC CORNER WITH **H7**.

**STEPS**  
**7~10**



# ASSEMBLY INSTRUCTIONS

## SOCGER TABLE ASSEMBLY

**WARNING: TWO ADULTS NEEDED TO ASSEMBLE SOCCER TABLE**

5. PLACE THE GOAL **P13** OVER THE HOLE IN THE END PANEL AND ATTACH USING SCREWS **H7**. PLACE THE BALL CATCHER **P12** OVER THE HOLE IN THE SIDE PANEL AND ATTACH USING SCREWS **H7**. SECURE THE BALL RUNNER **P14** BETWEEN EACH GOAL AND BALL CATCHER. SEE **figure 4**.  
(REPEAT ABOVE STEP FOR OTHER END OF TABLE)
6. INSERT CROSS BAR **P15** INTO LEGS AS SHOWN IN **FIGURE 4**. ATTACH THE LEGS **P4a&p4b** AS SHOWN IN **figure 4**. THE LEGS ARE ATTACHED WITH BOLTS **H1,H2**, AND WASHERS **H3**. TIGHTEN HARDWARE AT THIS TIME. ATTACH THE LEG LEVELERS **P11** AS SHOWN IN **figure 4**.

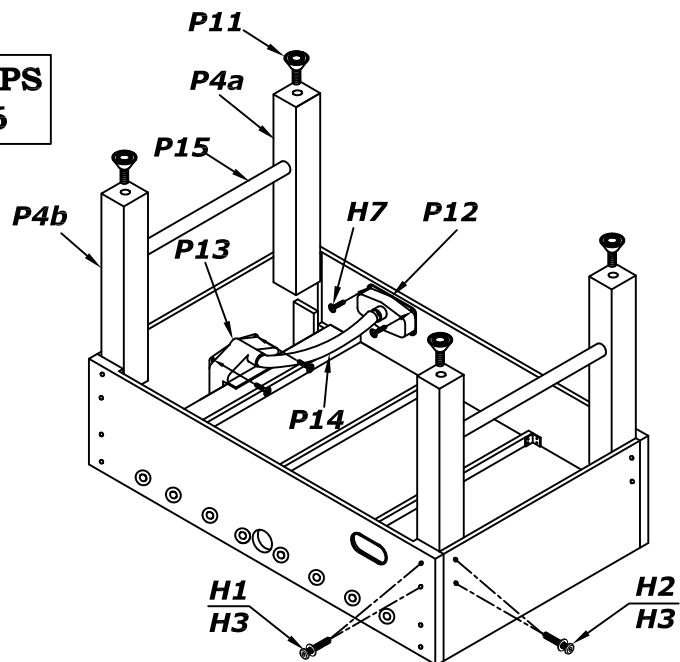
### WARNING

This step requires two adults!

Very carefully turn the table over.

Be careful! The table is very heavy

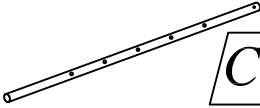
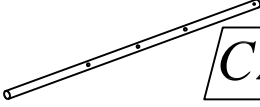
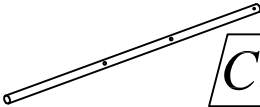

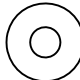
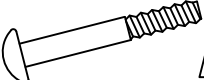

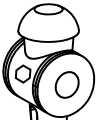

**STEPS**  
**5.6**



**FIGURE 4**

# PARTS IDENTIFIER

## REPLACEMENT PARTS

	DESCRIPTION	QTY
 <b>C1</b>	5 PLAYER ROD	2
 <b>C2</b>	3 PLAYER ROD	4
 <b>C3</b>	2 PLAYER ROD	2
 <b>C4</b>	RUBBER BUSHING	16
 <b>C5</b>	PLASTIC ROD WASHERS	16
 <b>C6</b>	1-1/8" BOLT (used to install men)	26
 <b>C7</b>	LOCKING NUT (used to install men)	26
 <b>C8</b>	HOME MEN	13
 <b>C9</b>	AWAY MEN	13

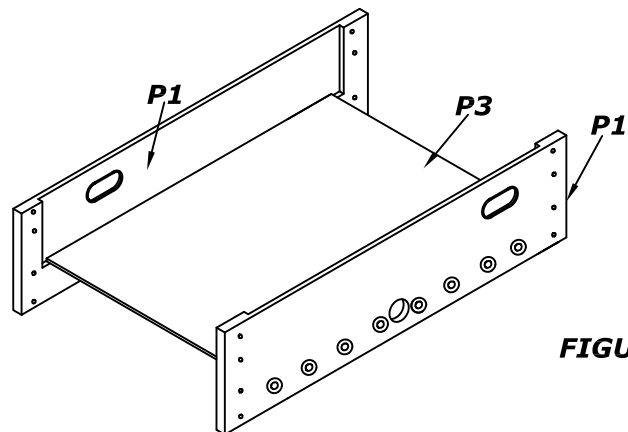
# ASSEMBLY INSTRUCTIONS

## SOCCKER TABLE ASSEMBLY

WARNING: TWO ADULTS NEEDED TO ASSEMBLE SOCCER TABLE

1. INSERT PLAY FIELD **P3** INTO THE GROOVE ON THE SIDE PANELS **P1** WITH GRAPHICS FACING DOWN. SEE **figure 1**

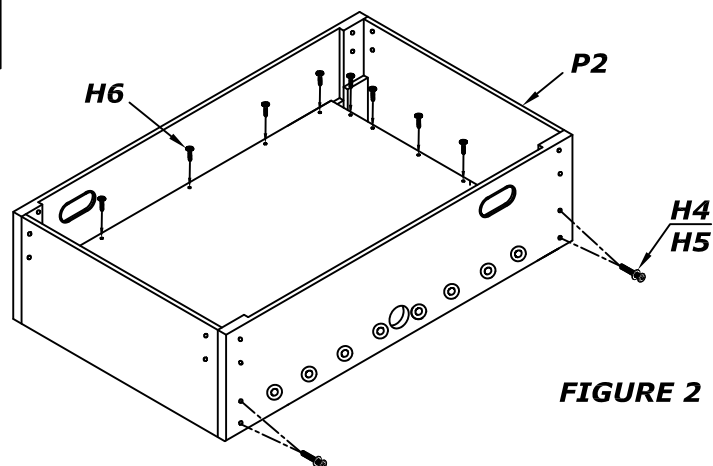
**STEP**  
**1**



**FIGURE 1**

2. ATTACH THE TWO END PANELS **P2** TO THE SIDE PANELS **P1** AS SHOWN IN **figure 2**. REMEMBER: THE GROOVE MUST FACE INWARD TOWARD THE PLAY FIELD. ATTACH THE END PANELS WITH BOLTS **H4** AND WASHERS **H5**.
3. ATTACH PLAY FIELD WITH SCREWS **H6** IN THE END AND SIDE PANELS AS SHOWN IN **figure 2**.

**STEPS**  
**2.3**



**FIGURE 2**

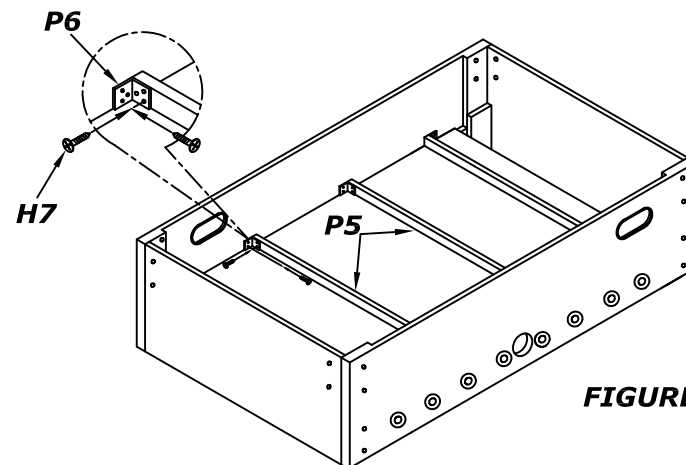
# ASSEMBLY INSTRUCTIONS

## SOCCKER TABLE ASSEMBLY

WARNING: TWO ADULTS NEEDED TO ASSEMBLE SOCCER TABLE

4. PLACE THE PLAYFIELD SUPPORT BRACES **P5** ON THE BOTTOM OF THE PLAYFIELD. ATTACH THE BRACES USING BRACKETS **P6** AND SCREWS **H7**. AS SHOWN IN **figure 3**.

**STEP**  
**4**

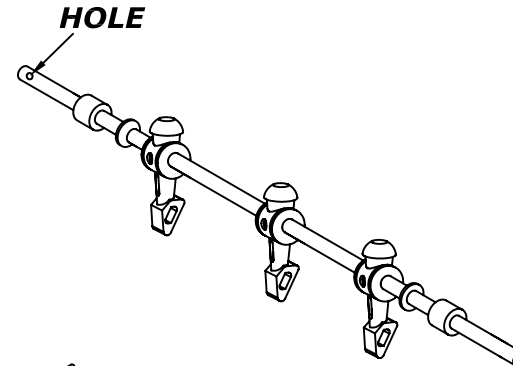


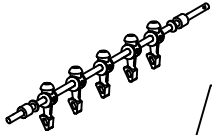
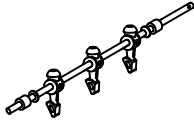
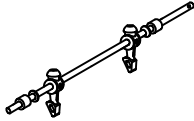
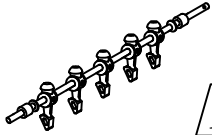
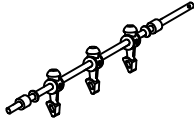
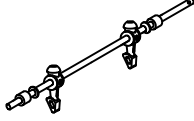
**FIGURE 3**

# ASSEMBLY INSTRUCTIONS

## SOCCER TABLE ASSEMBLY

WARNING: TWO ADULTS NEEDED TO ASSEMBLE SOCCER TABLE



			QTY
	<b>R1</b>	5 HOME PLAYERS ROD	1
	<b>R2</b>	3 HOME PLAYERS ROD	2
	<b>R3</b>	2 HOME PLAYERS ROD	1
	<b>R4</b>	5 AWAY PLAYERS ROD	1
	<b>R5</b>	3 AWAY PLAYERS ROD	2
	<b>R6</b>	2 AWAY PLAYERS ROD	1