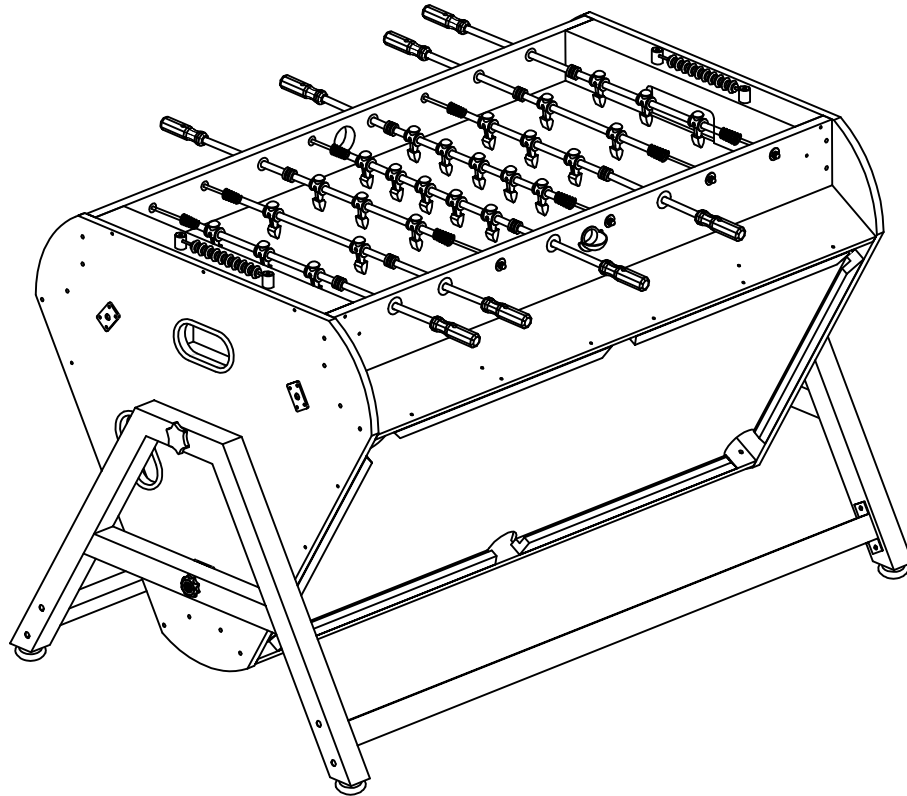




Official Website of KICK Foosball Tables

5FT SWIVEL 3 IN 1 FOOSBALL TABLE ASSEMBLY INSTRUCTIONS



Official Website of KICK Foosball Tables



IF YOUR TABLE HAS DAMAGES, MISSING PARTS, OR YOU ARE NOT **100%** SATISFIED PLEASE CONTACT **KICK, NOT THE RESELLER.**

FOR THE MOST CURRENT INSTRUCTION MANUALS AND ASSEMBLY VIDEOS, PLEASE VISIT OUR WEBSITE OR CONTACT **KICK.**

CONTACT INFORMATION:

Email: support@kickfoosballtables.com
Website: www.kickfoosballtables.com
Phone: 1-866-844-5425

MAILING ADDRESS:

KICK Sports
PO Box 790311
San Antonio, Texas 78279

THANK YOU!

Thank you for purchasing this product. We work around the clock and around the globe to ensure that our products maintain the highest possible quality. However, in the rare case of issues during assembly or use of this product. Please contact our consumer hotline at **1-866-844-5425** for immediate assistance. Please read the warranty information at the back of these assembly Instructions for further details.

ASSEMBLY TIPS

IMPORTANT! PLEASE READ THESE ASSEMBLY INSTRUCTIONS IN ENTIRETY BEFORE ASSEMBLING YOUR PRODUCT.

1. Find a clean, level surface to begin the assembly of your game table. We recommend that two adults work together to assemble this game. You may want to carefully cut or tear the four corners of the box so that the bottom of the box can be used as your work surface.
2. Remove all of the contents from box and verify that you have all of the parts shown on the Parts List before you begin assembly. **Note: Some parts may be pre-installed or pre-assembled.**
3. Some figures or drawings may not look exactly like product.
4. ***When installing parts that have more than one screw or bolt, hand tighten all screws or bolts in place before final tightening with screwdriver or wrench.***
5. Electric screwdrivers may be helpful during assembly; however, please set a **low torque** and use extreme caution because screws may be stripped or overtightened, resulting in damaged parts, if the electric screwdriver's torque is set too high.

WARNINGS!

READ AND FOLLOW ALL ASSEMBLY, OPERATION AND SAFETY INSTRUCTIONS CAREFULLY.

**CHOKER HAZARD - THIS ITEM MAY CONTAIN SMALL BALLS AND PARTS
NOT SUITABLE FOR CHILDREN UNDER 3 YEARS OF AGE.**

CARE AND USE

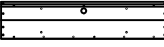
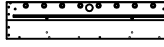

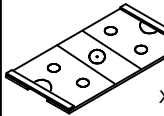
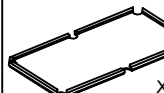
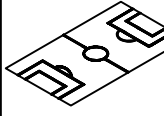
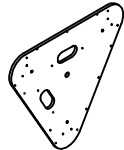
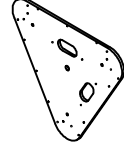
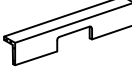
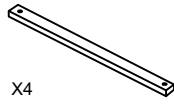

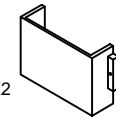
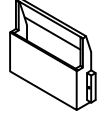
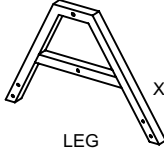
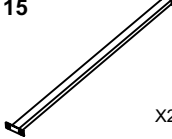

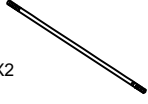
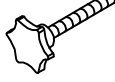


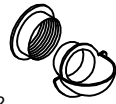







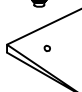
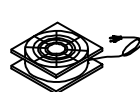




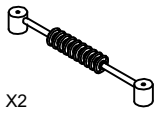
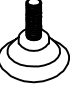
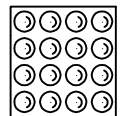




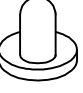
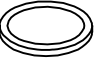



1. This product is intended for **INDOOR** use only.
2. Do **NOT** drag the table when moving it, as this will damage it.

5FT SWIVEL 3 IN 1 FOOSBALL TABLE

Parts List

Illustrations Not to Scale

PARTS

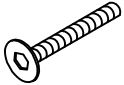





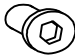





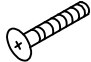






<p>1</p>  <p>X1</p> <p>POOL TABLE / HOCKEY SIDE APRON</p>	<p>2</p>  <p>X1</p> <p>POOL TABLE / SOCCER SIDE APRON</p>	<p>3</p>  <p>X1</p> <p>HOCKEY/SOCCER SIDE APRON</p>	<p>4</p>  <p>X1</p> <p>HOCKEY</p>	<p>5</p>  <p>X1</p> <p>BILLIARD TABLE</p>	<p>6</p>  <p>X1</p> <p>SOCCER</p>	<p>7</p>  <p>X1</p> <p>END APRON A</p>
<p>8</p>  <p>X1</p> <p>END APRON B</p>	<p>9</p>  <p>X2</p> <p>SOCCER END RAOIL</p>	<p>10</p>  <p>X4</p> <p>SUPPORT BRACE</p>	<p>11</p>  <p>X2</p> <p>SUPPORT BRACE</p>	<p>12</p>  <p>X2</p> <p>HOCKEY GOAL BOX</p>	<p>13</p>  <p>X2</p> <p>SOCCER GOAL BOX</p>	<p>14</p>  <p>X2</p> <p>LEG</p>
<p>15</p>  <p>X2</p> <p>LEG SUPORT BRACE</p>	<p>16</p>  <p>X2</p> <p>POSITION LOCK SYSTEM</p>	<p>17</p>  <p>X2</p> <p>SUPPORT ROD</p>	<p>18</p>  <p>X2</p> <p>POSITION LOCK SYSTEM</p>	<p>19</p>  <p>X2</p> <p>LOCKED NUT</p>	<p>20</p>  <p>X6</p> <p>FIXED</p>	<p>21</p>  <p>X2</p> <p>BALL ENTRY CUP</p>
<p>22</p>  <p>X13</p> <p>PLAYER</p>	<p>23</p>  <p>X13</p> <p>PLAYER</p>	<p>24</p>  <p>X8</p> <p>ROD END CAP</p>	<p>25</p>  <p>X8</p> <p>ROD HANDLE</p>	<p>26</p>  <p>X8</p> <p>PLAYER ROD STOPPER</p>	<p>27</p>  <p>X8</p> <p>ROD END CAP</p>	<p>28</p>  <p>X4</p> <p>STIP RING</p>
<p>29</p>  <p>X4</p> <p>TRANGLE BOARDS</p>	<p>30</p>  <p>X1</p> <p>MOTOR</p>	<p>31</p>  <p>X4</p> <p>3 PLAYER ROD</p>	<p>32</p>  <p>X2</p> <p>2 PLAYER ROD</p>	<p>33</p>  <p>X2</p> <p>5 PLAYER ROD</p>	<p>34</p>  <p>X8</p> <p>SOLID PLAYER ROD</p>	<p>35</p>  <p>X2</p> <p>SLIDE SCORER</p>
<p>36</p>  <p>X4</p> <p>LEG LEVELER</p>	<p>37</p>  <p>X1</p> <p>BILLIARD BALLS SET</p>	<p>38</p>  <p>X1</p> <p>TRIANGLE</p>	<p>39</p>  <p>X2</p> <p>CUC STICK</p>	<p>40</p>  <p>X1</p> <p>BRUSH</p>	<p>41</p>  <p>X2</p> <p>CHALKS</p>	<p>42</p>  <p>X2</p> <p>STRIKER</p>
<p>43</p>  <p>X2</p> <p>PUCK</p>	<p>44</p>  <p>X2</p> <p>SOCCER BALL</p>	<p>45</p>  <p>X4</p> <p>PLASTIC CORNER POCKET</p>	<p>46</p>  <p>X2</p> <p>PLASTIC SIDE POCKET</p>			

For replacement parts please call 1-866-844-5425

5FT SWIVEL 3 IN 1 FOOSBALL TABLE

Parts List

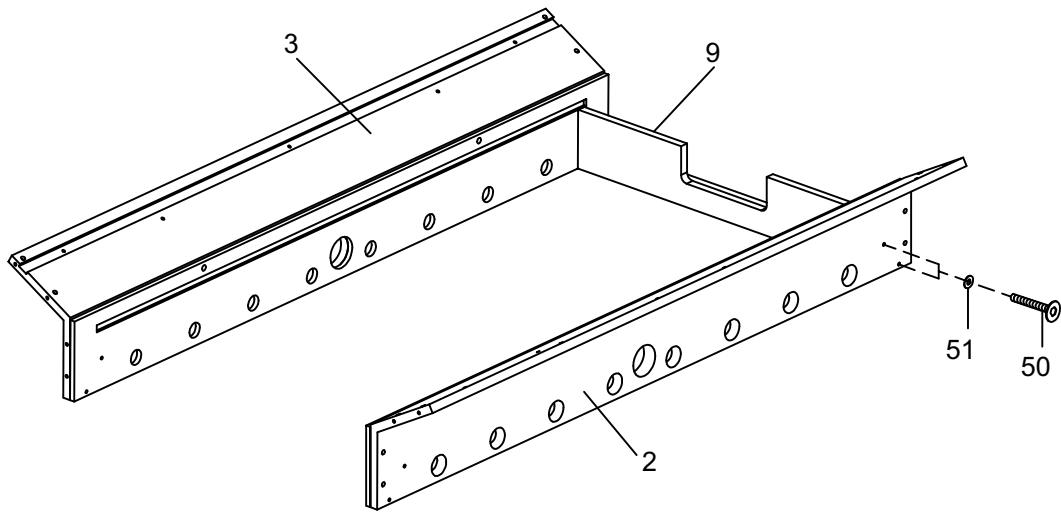
HARDWARE

47 X8  1/4" x 2-1/4" BOLT	48 X8  1/4" WASHER	49 X6  5/16" WASHER	50 X32  3/16" x 1-3/4" BOLT	51 X8  3/16" WASHER	52 X8  INNER NUT	53 X4  NUT
54 X4  1/8" x 2-1/4" SCREWS	55 X18  1/8" x 1-3/4" SCREWS	56 X28  1/8" x 1-1/4" SCREWS	57 X16  1/8" x 1" SCREWS	58 X38  1/8" x 1/2" SCREWS	59 X8  3/16" x 3/4" BOLT	60 X52  3/16" x 1/4" BOLT
61 X4  1/8" x 3/8" BOLT	62 X8  CAP NUT	63 X8  FENDER WASHER	64 X1  ALLEN KEY	65 X1  ALLEN WRENCH		

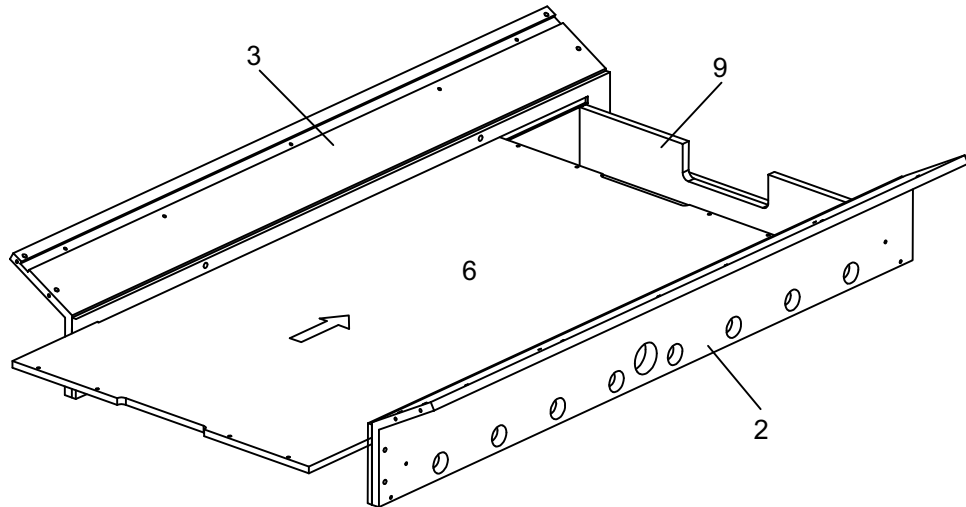
For replacement parts please call 1-866-844-5425

ASSEMBLY INSTRUCTIONS

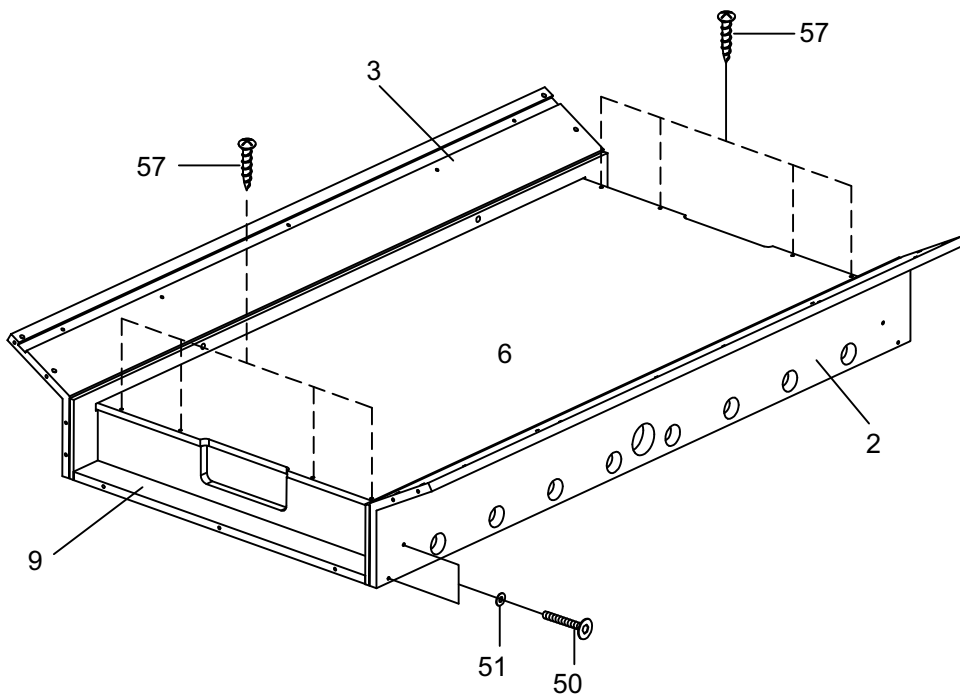
STEP 1



STEP 2

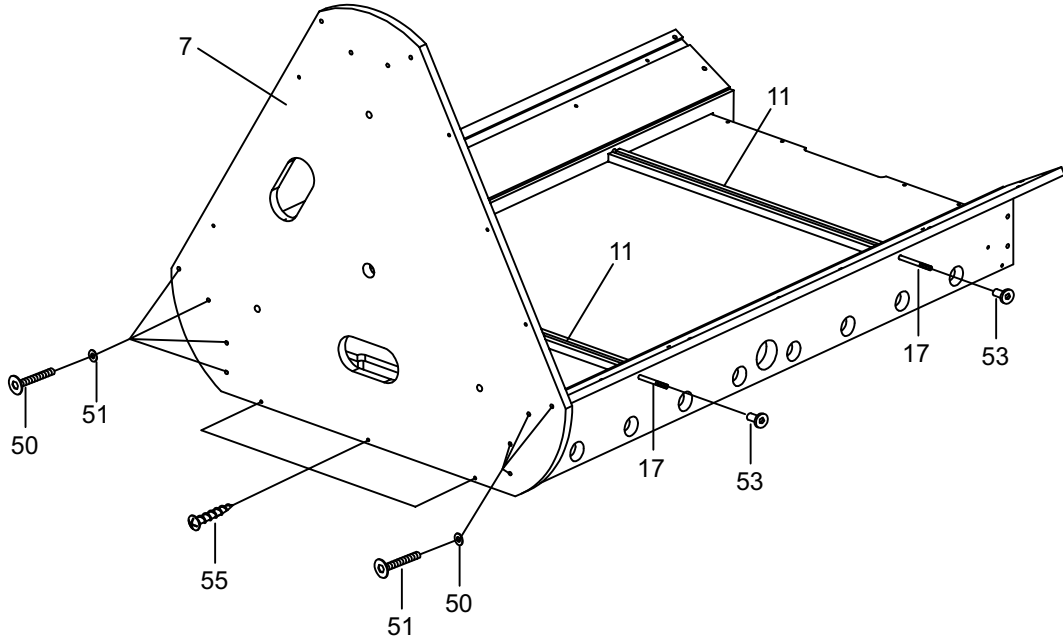


STEP 3

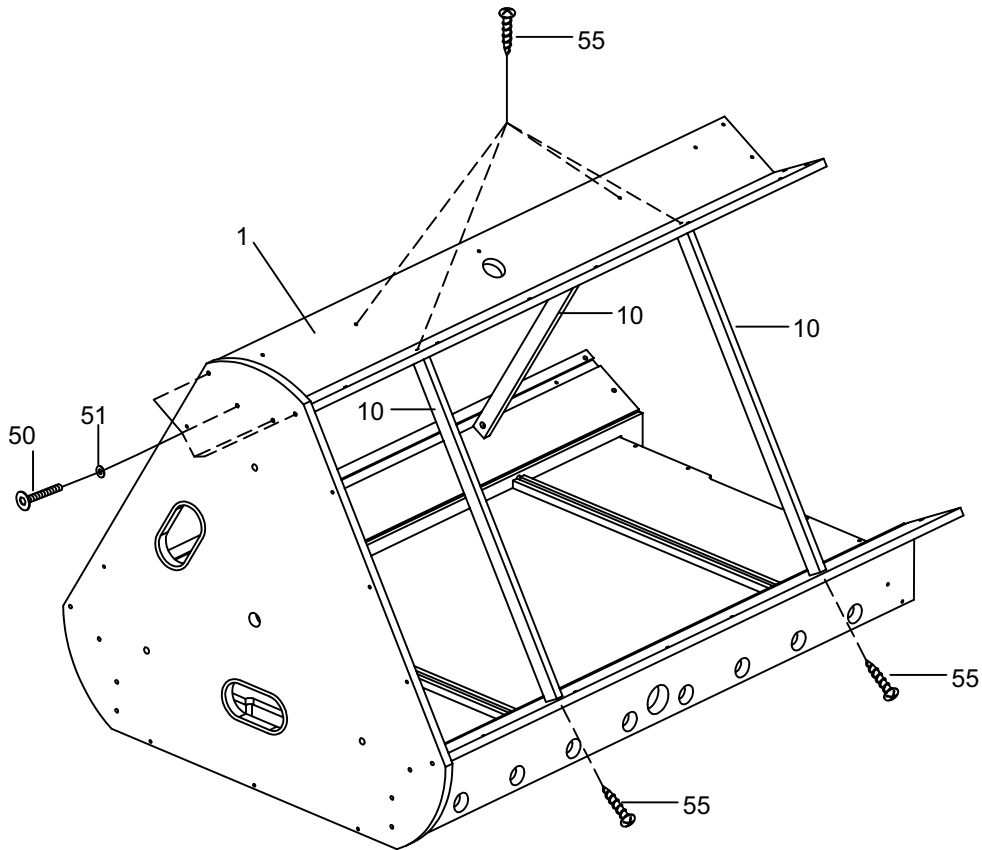


ASSEMBLY INSTRUCTIONS

STEP 4

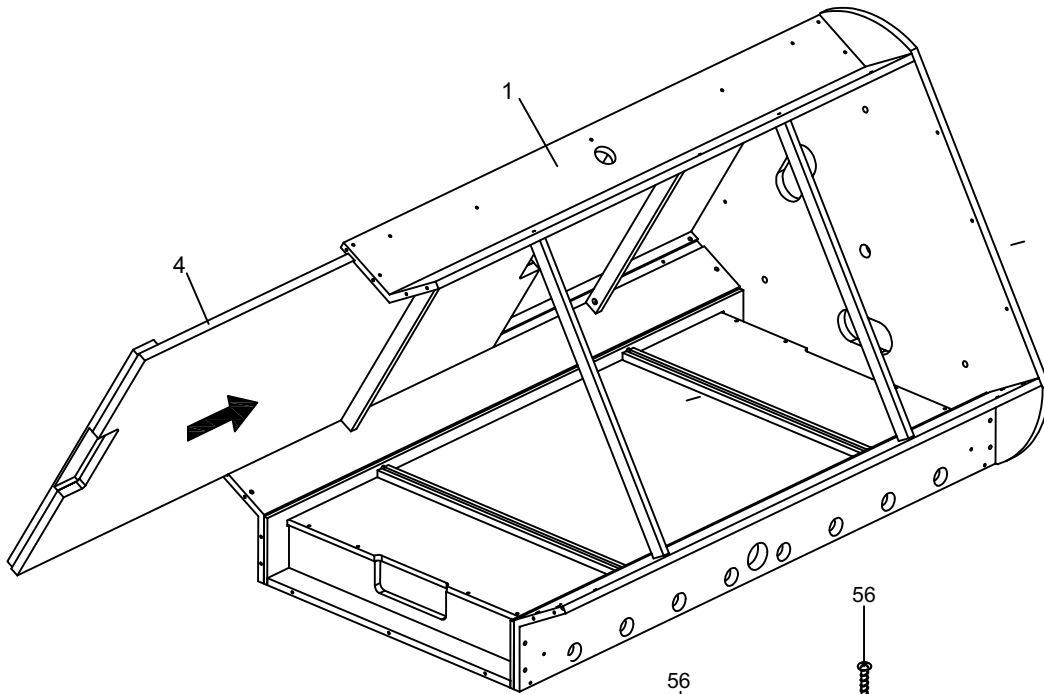


STEP 5

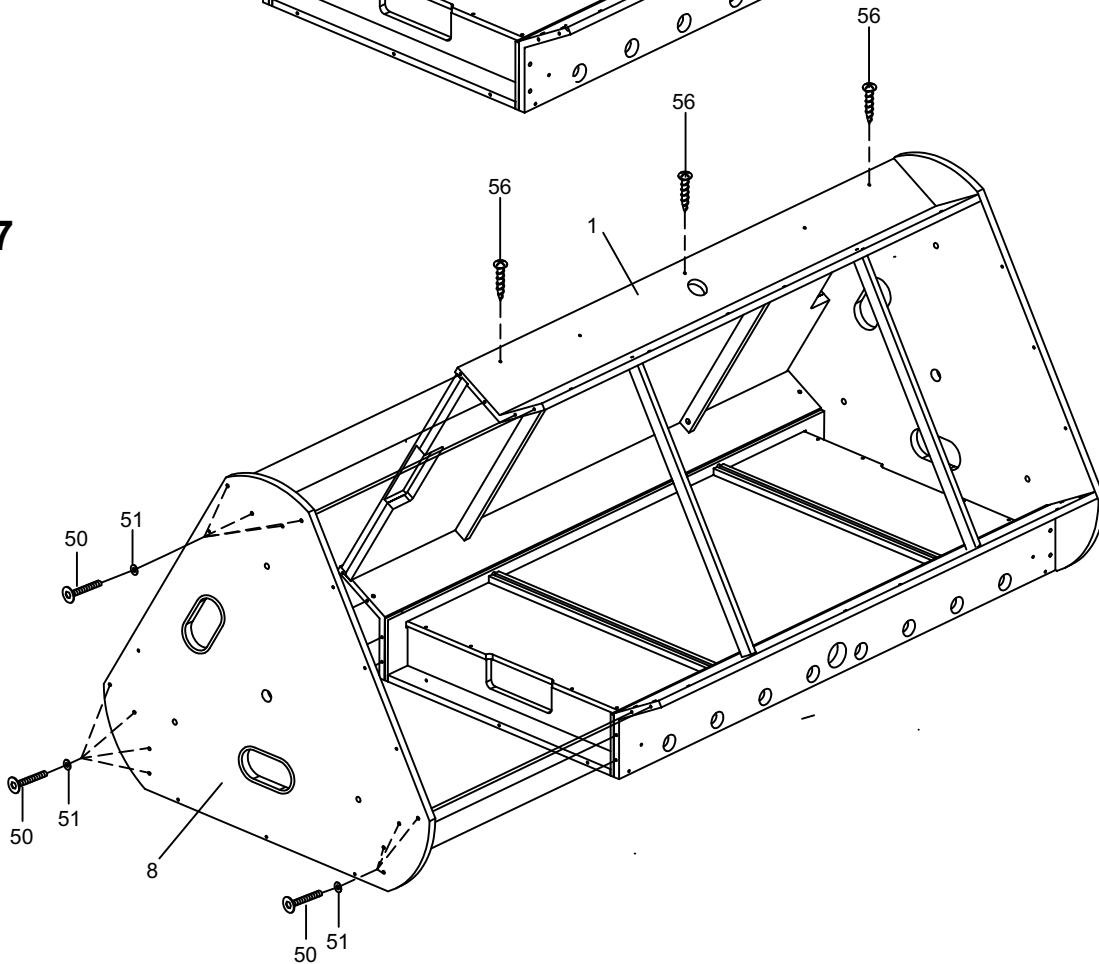


ASSEMBLY INSTRUCTIONS

STEP 6

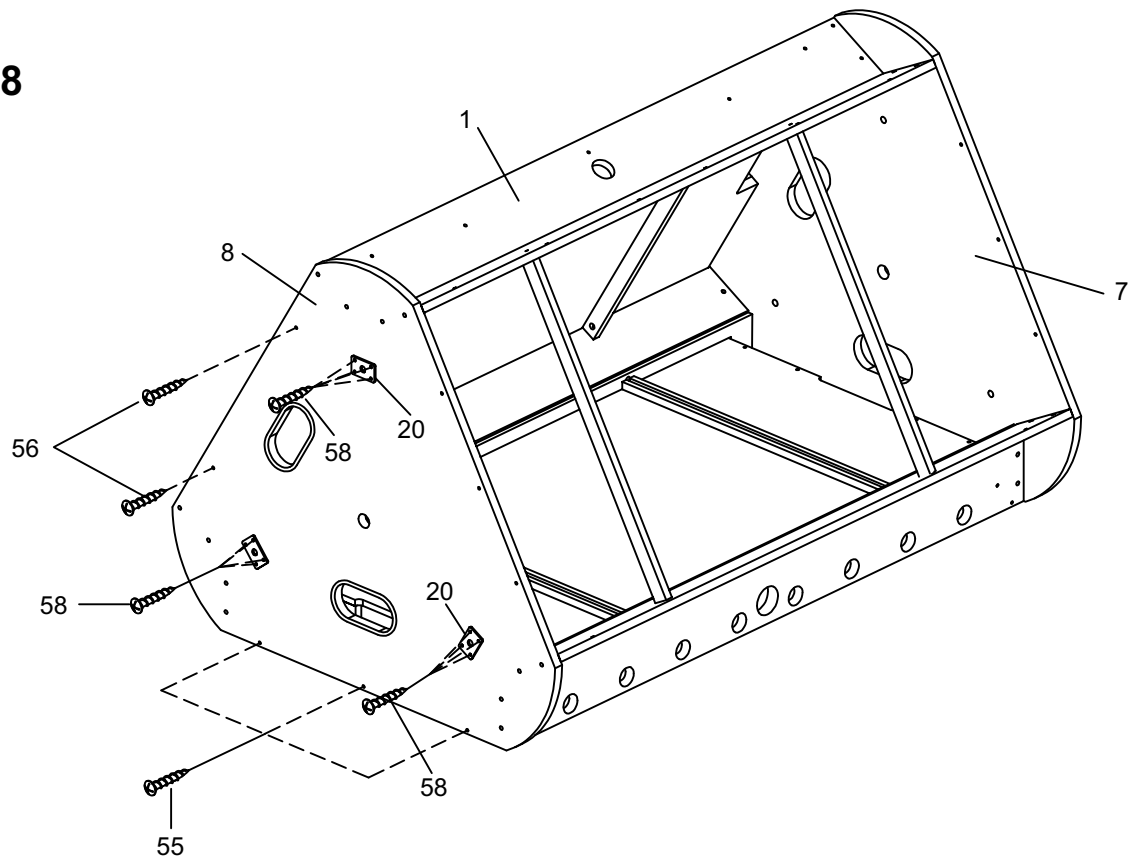


STEP 7

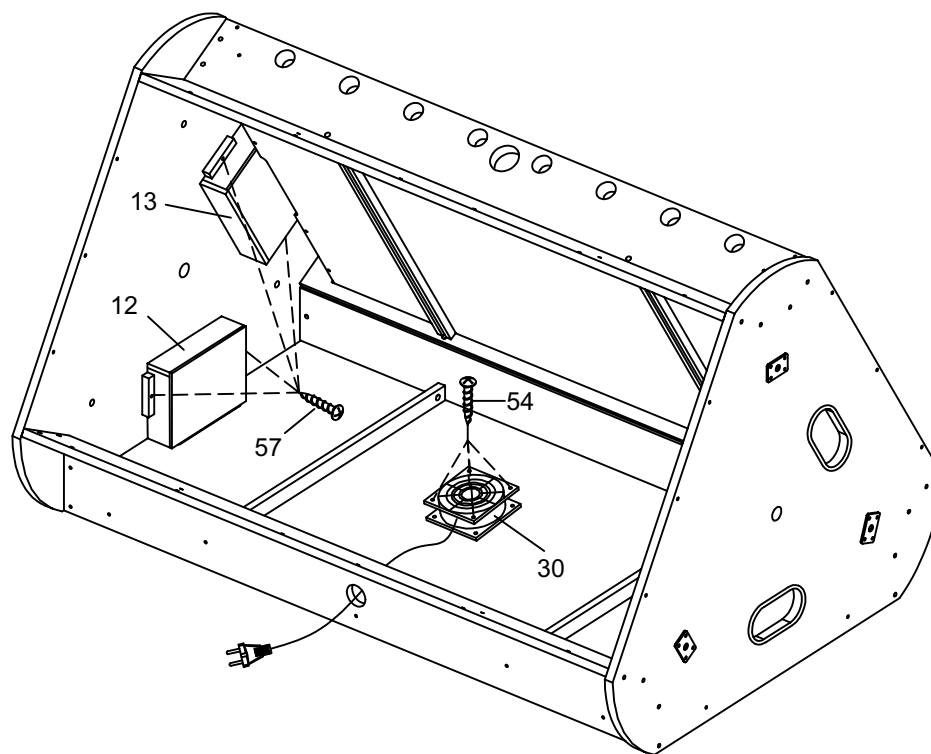


ASSEMBLY INSTRUCTIONS

STEP 8

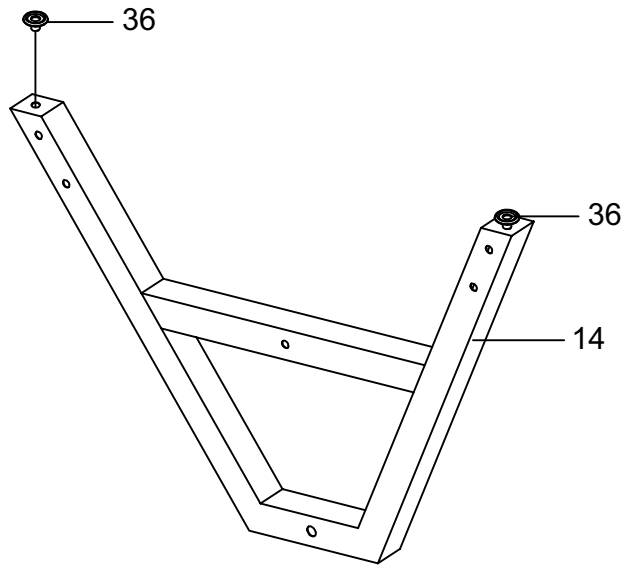


STEP 9

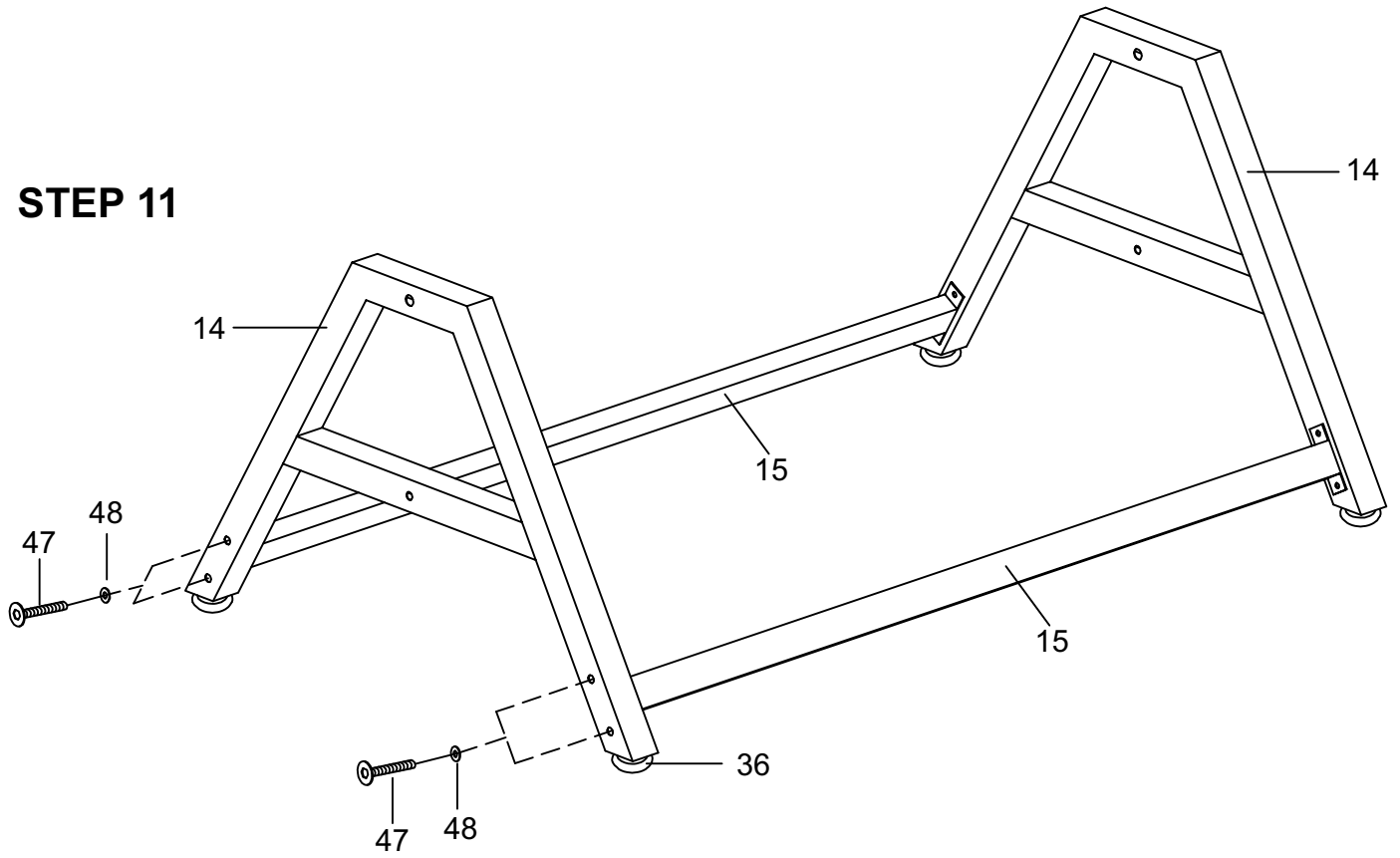


ASSEMBLY INSTRUCTIONS

STEP 10

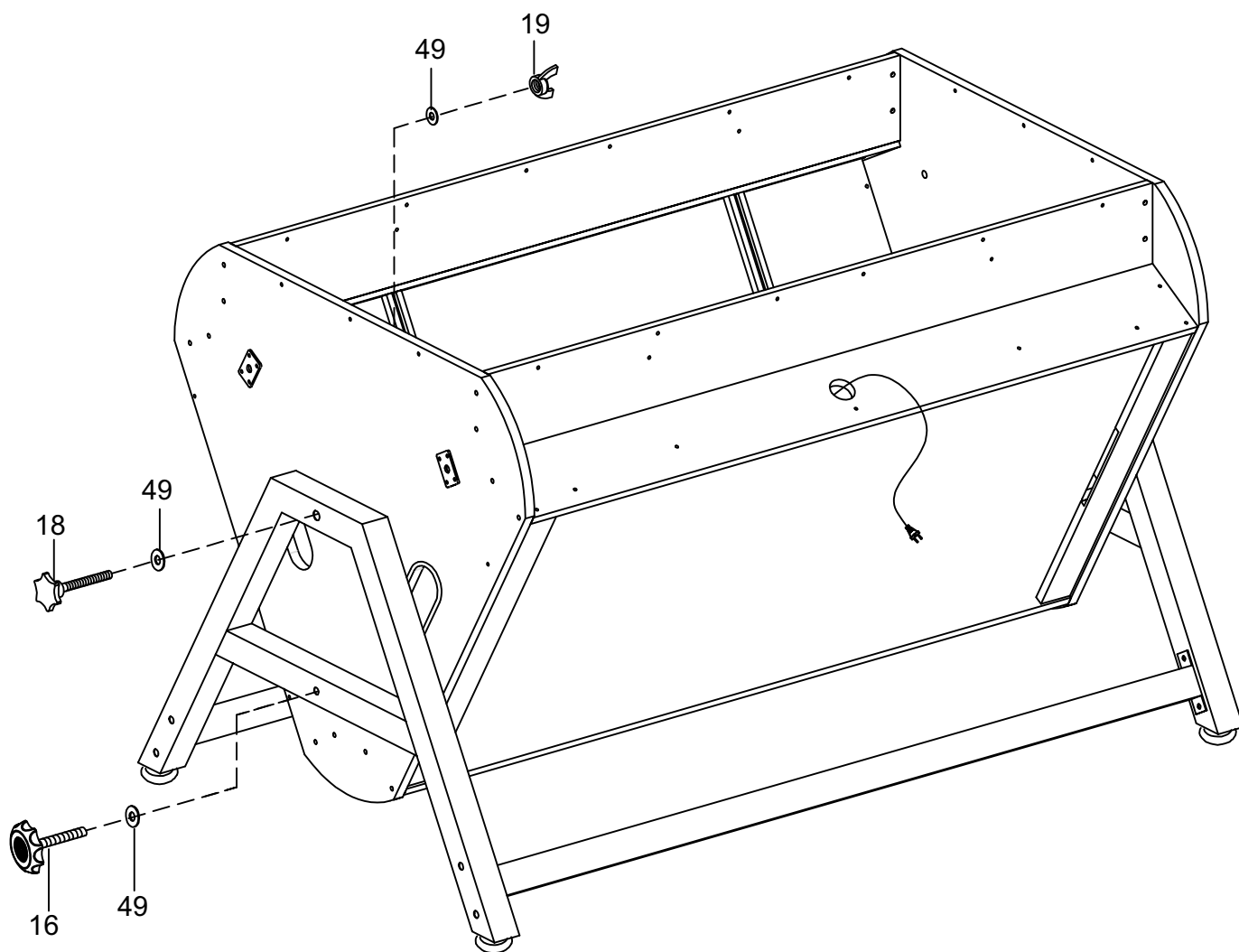


STEP 11



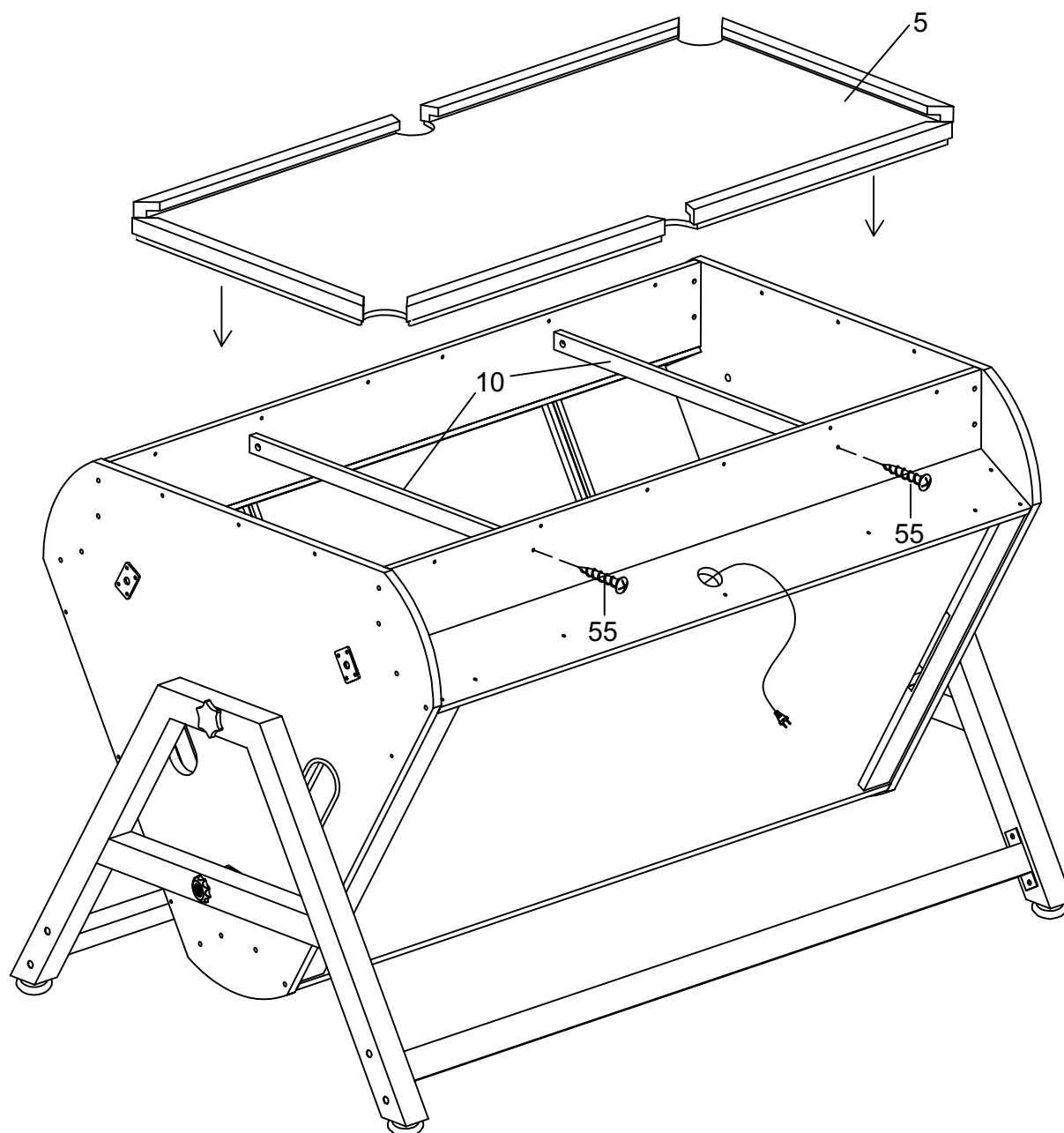
ASSEMBLY INSTRUCTIONS

STEP 12



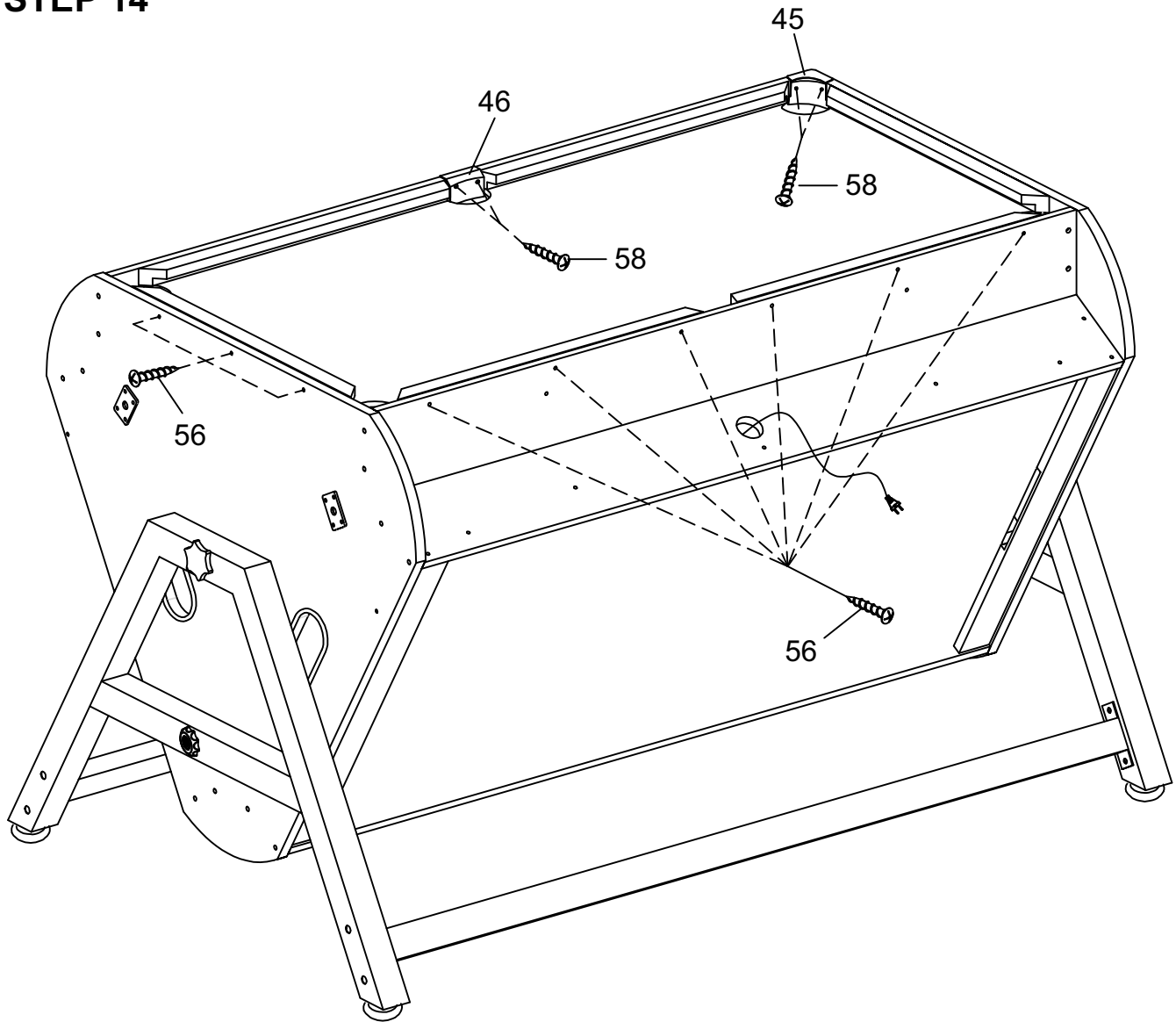
ASSEMBLY INSTRUCTIONS

STEP 13



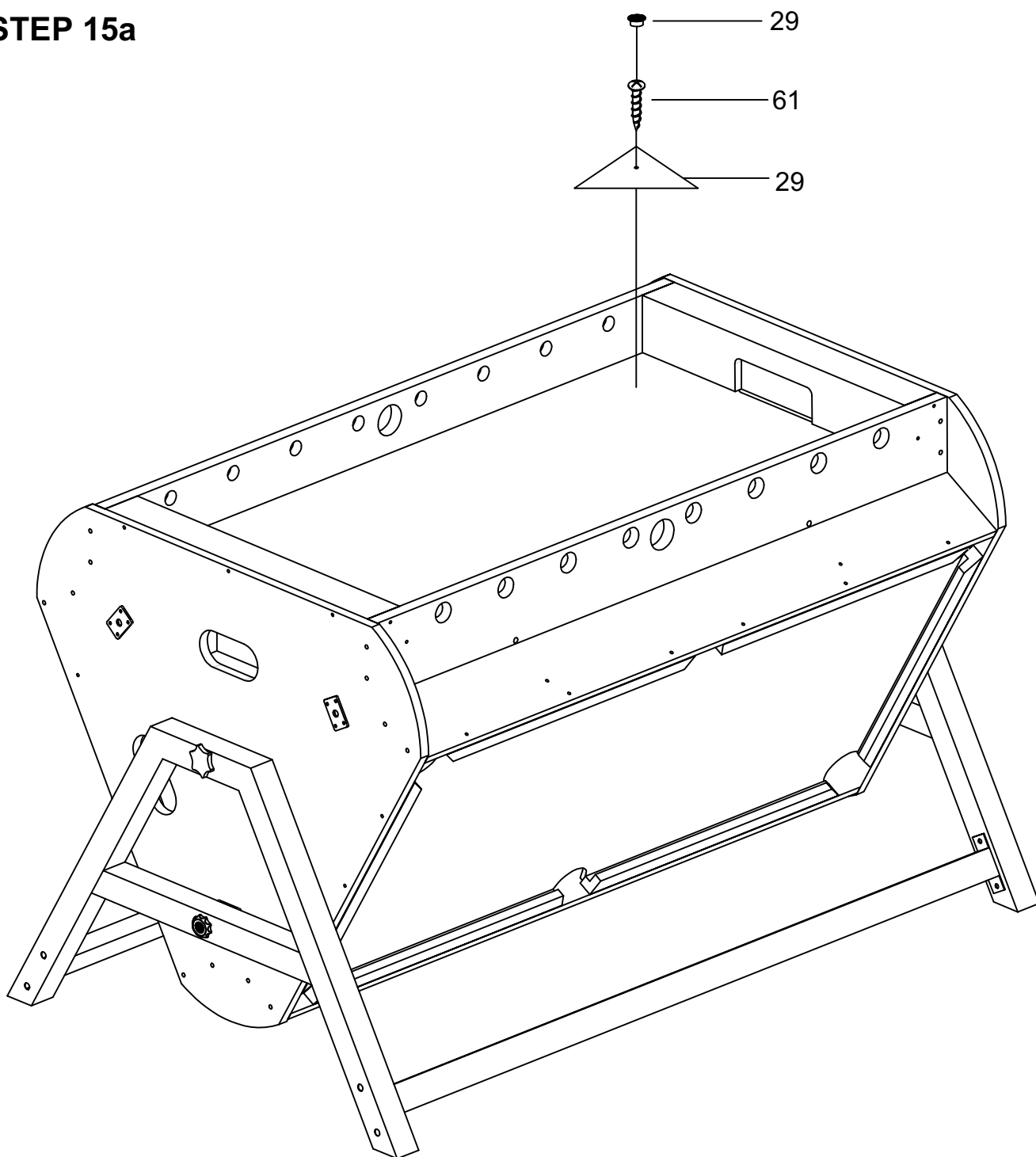
ASSEMBLY INSTRUCTIONS

STEP 14



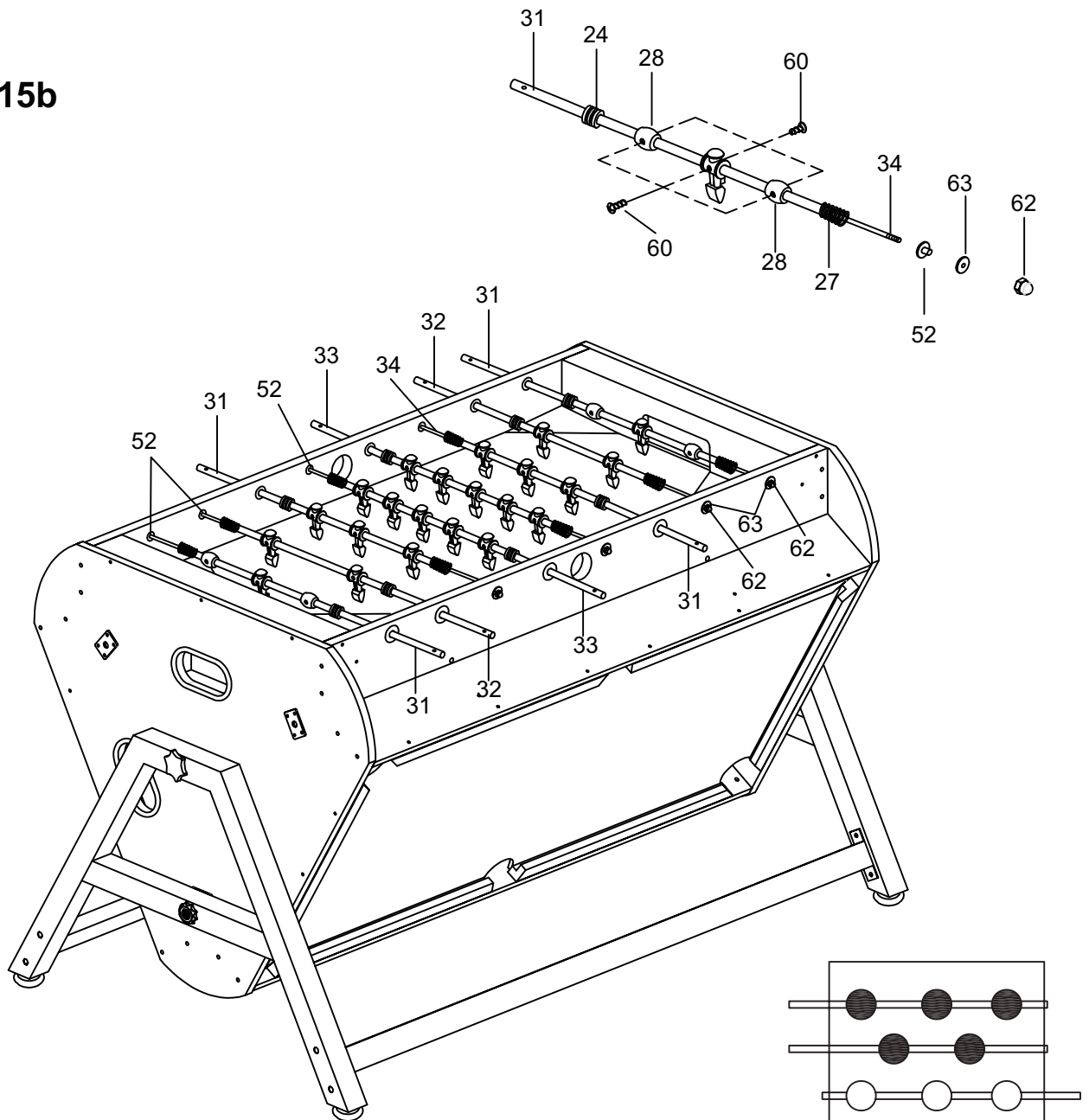
ASSEMBLY INSTRUCTIONS

STEP 15a

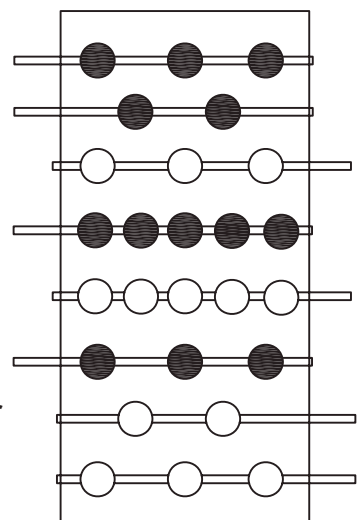


ASSEMBLY INSTRUCTIONS

STEP 15b

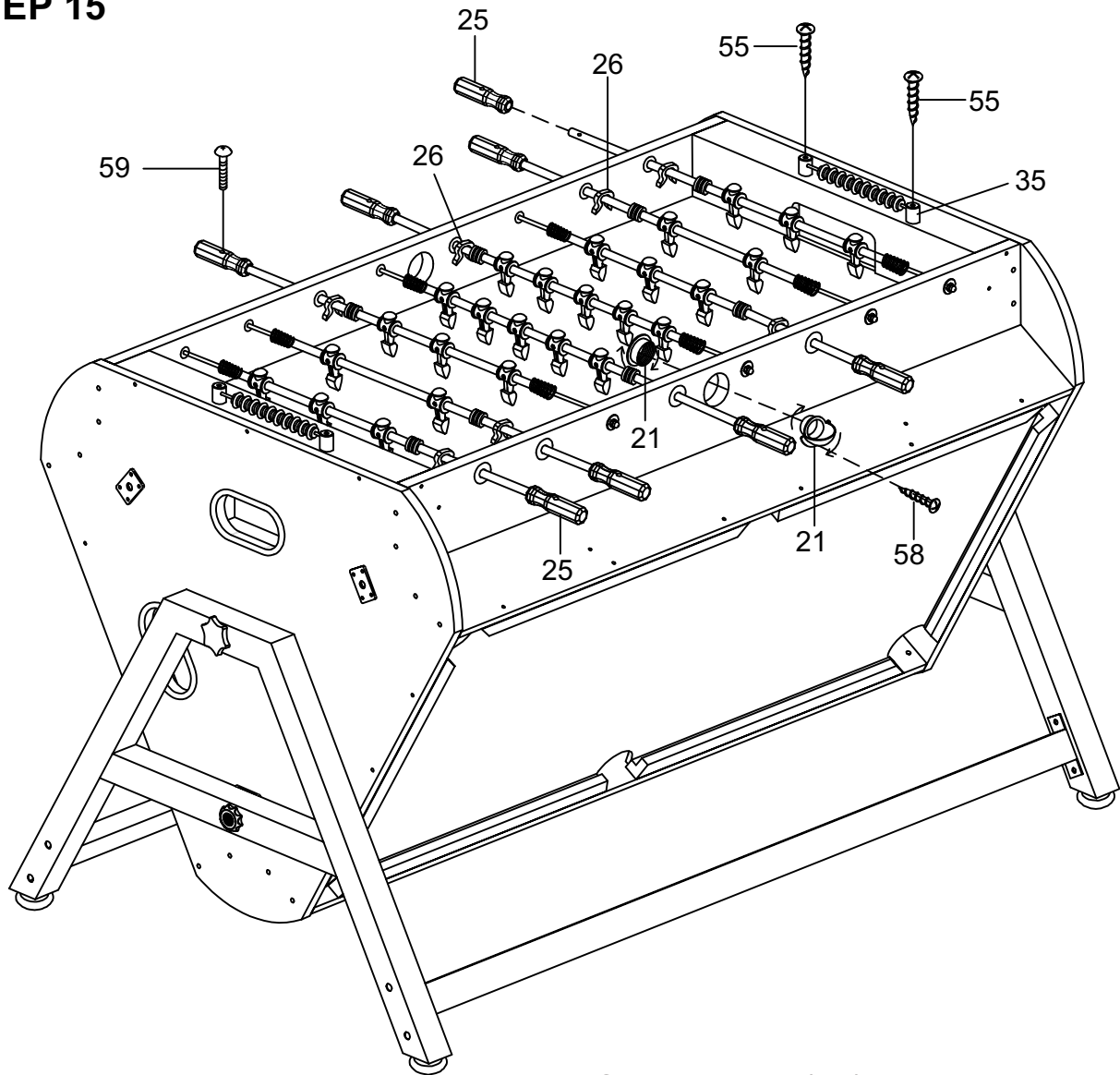


Insert rod end part way through one side panel, then place rest of parts needed on each rod, in order shown, before inserting through other side panel.



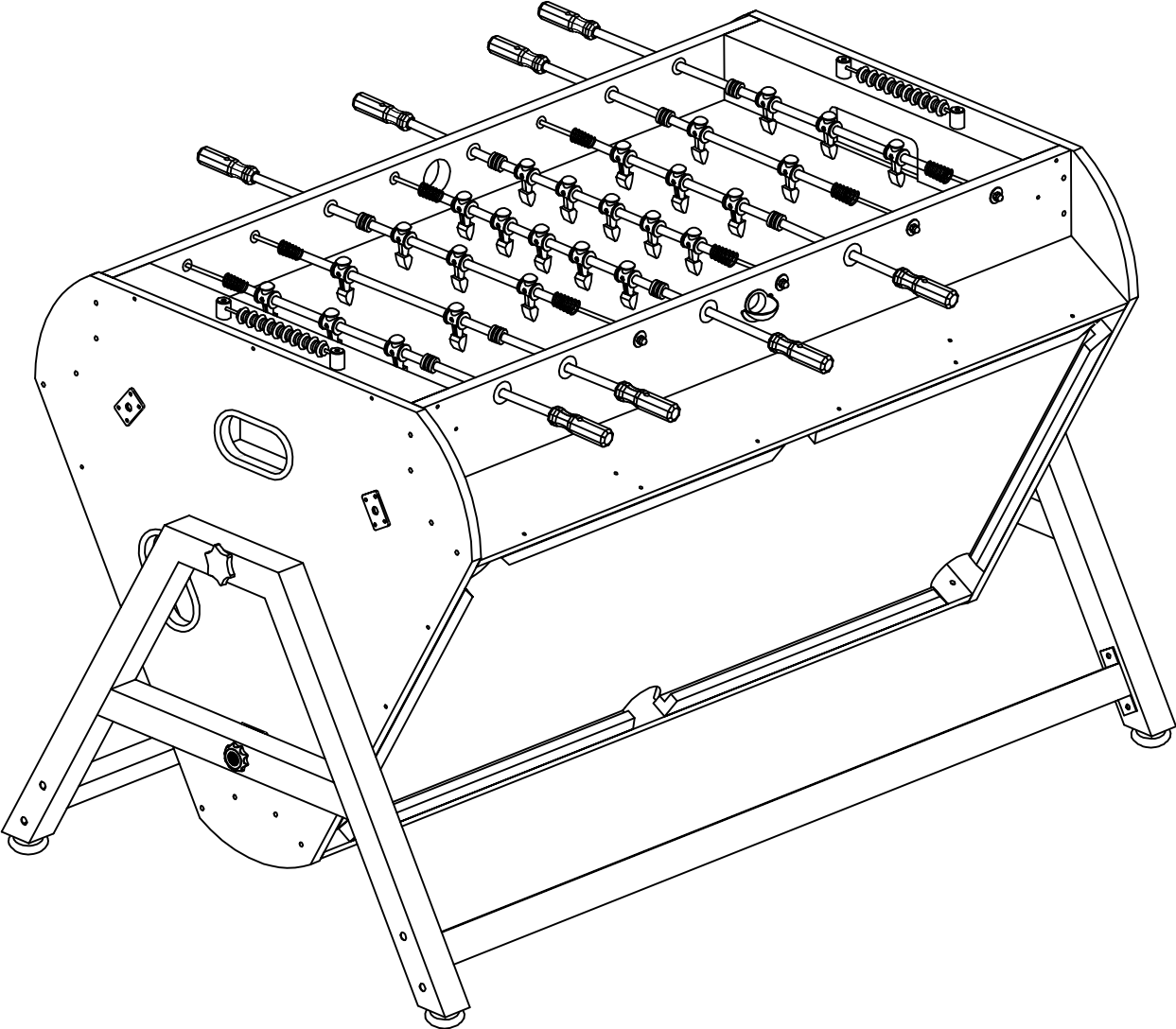
● = AWAY ○ = HOME

STEP 15



NOTE: Handle (25) attaches on opposite end. Each team should **face the opposite goal** and all be the **same color**. See diagram above for rod and player positions

STEP 16



NOTE: Once table is completely assembled and placed in desired location, use level (not included) to adjust leg levelers so table is level in both directions.

LIFETIME WARRANTY

This product is warranted to the original purchaser to be free from defects in material or workmanship for a period of lifetime from the date of the original retail purchase.

This warranty does not cover defects or damage due to improper installation, alteration, accident or any other event beyond the control of the manufacturer. Defects or damage resulting from misuse, abuse or negligence will void this warranty. This warranty does not cover scratching or damage that may result from normal usage.

This product is not intended for institutional or commercial use; the manufacturer does not assume any liability for such use. Institutional or commercial use will void this warranty.

This warranty is nontransferable and is expressly limited to the repair or replacement of the defective product. During the warranty period, the manufacturer shall repair or replace defective parts at no cost to the purchaser. Shipping charges and insurance are not covered and are the responsibility of the purchaser. Labor charges and related expenses for removal, installation or replacement of the product or components are not covered under this warranty.

The manufacturer reserves the right to make substitutions to warranty claims if parts are unavailable or obsolete.

The manufacturer shall not be liable for loss of use of the product or other consequential or incidental costs, expenses or damages incurred by the consumer of any other use. The user assumes all risk of injury resulting from the use of this product.

This warranty is expressly in lieu of all other warranties, expressed or implied, including warranties of merchantability or fitness for use to the extent permitted by Federal or state law. Neither the manufacturer nor any of its representatives assumes any other liability in connection with this product.

All warranty claims must be made through the retailer where the product was originally purchased. A purchase receipt or other proof of date of purchase will be required to process all warranty claims. The model number and part numbers found within the assembly instructions will be required when submitting any parts requests or warranty claims.

For further warranty information or inquiries, please call 1-866-844-5425