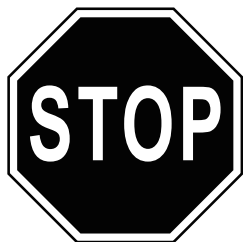
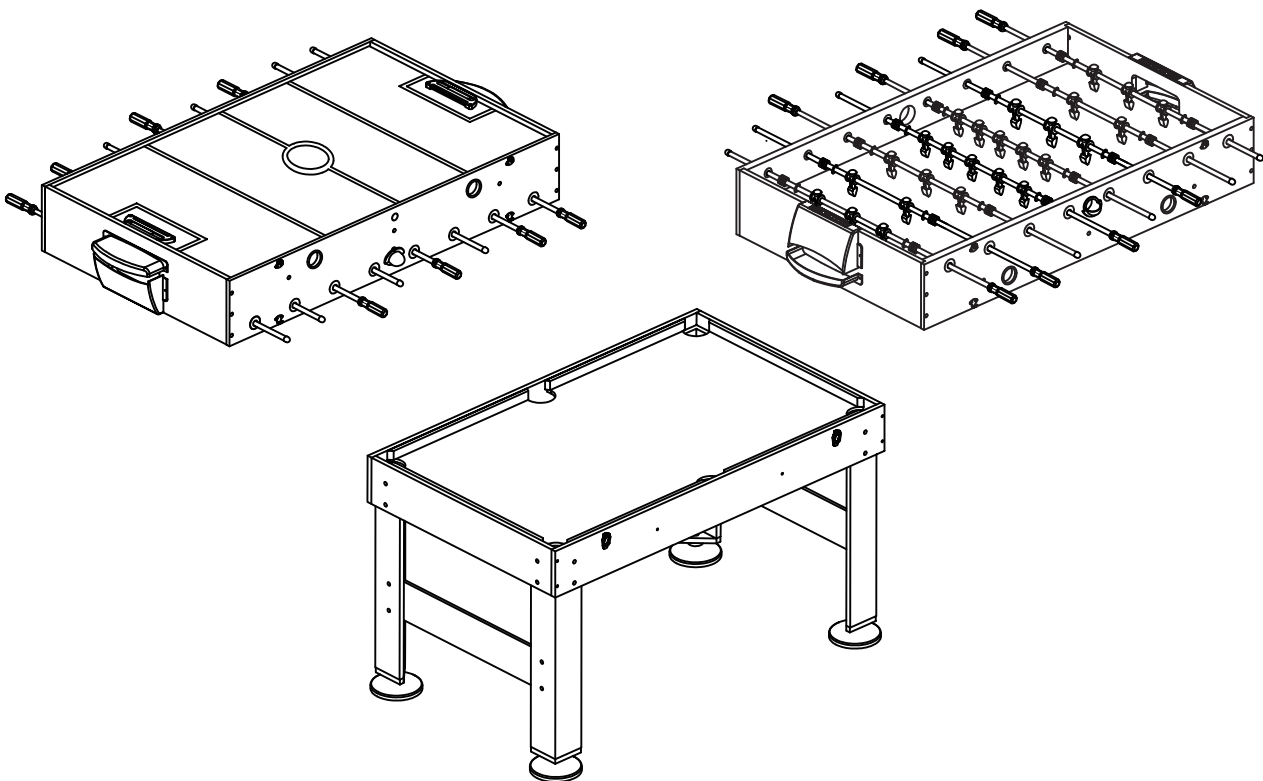




Official Website of KICK Foosball Tables

KICK Triology Black 5FT 3 IN 1 MULTI GAME TABLE MANUAL INSTRUCTIONS ASSEMBLY INSTRUCTIONS



Official Website of KICK Foosball Tables



IF YOUR TABLE HAS DAMAGES, MISSING PARTS, OR YOU ARE NOT **100%** SATISFIED PLEASE CONTACT **KICK, NOT THE RES ELLER.**

FOR THE MOST CUR RENT INSTRUC TION MANUALS AND ASS EMBLY VIDEOS, PLEASE VISIT OUR WEBSITE OR CONTACT **KICK.**

CONTACT INFORMATION:

Email: support@kickfoosballtables.com
Website: www.kickfoosballtables.com
Phone: 1-866-844-5425

MAILING ADDRESS:

KICK Sports
PO Box 790311
San Antonio, Texas 78279

THANK YOU!

Thank you for purchasing this product. We work around the clock and around the globe to ensure that our products maintain the highest possible quality. However, in the rare case of issues during assembly or use of this product. Please contact our consumer hotline at **1-866-844-5425** for immediate assistance. Please read the warranty information at the back of these assembly Instructions for further details.

ASSEMBLY TIPS

IMPORTANT! PLEASE READ THESE ASSEMBLY INSTRUCTIONS IN ENTIRETY BEFORE ASSEMBLING YOUR PRODUCT.

1. Find a clean, level surface to begin the assembly of your game table. We recommend that two adults work together to assemble this game. You may want to carefully cut or tear the four corners of the box so that the bottom of the box can be used as your work surface.
2. Remove all of the contents from box and verify that you have all of the parts shown on the Parts List before you begin assembly. **Note: Some parts may be pre-installed or pre-assembled.**
3. Some figures or drawings may not look exactly like product.
4. ***When installing parts that have more than one screw or bolt, hand tighten all screws or bolts in place before final tightening with screwdriver or wrench.***
5. Electric screwdrivers may be helpful during assembly; however, please set a **low torque** and use extreme caution because screws may be stripped or overtightened, resulting in damaged parts, if the electric screwdriver's torque is set too high.

WARNINGS!

READ AND FOLLOW ALL ASSEMBLY, OPERATION AND SAFETY INSTRUCTIONS CAREFULLY.

**CHOKER HAZARD - THIS ITEM MAY CONTAIN SMALL BALLS AND PARTS
NOT SUITABLE FOR CHILDREN UNDER 3 YEARS OF AGE.**

CARE AND USE

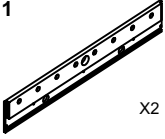
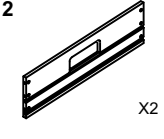
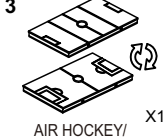
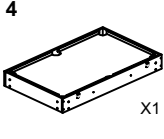
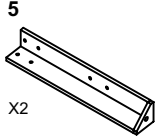
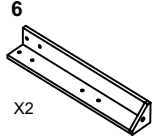
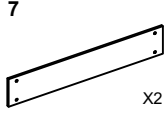
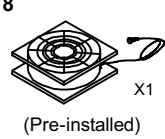
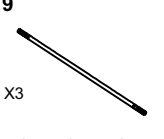
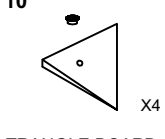
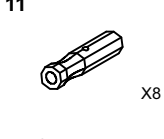
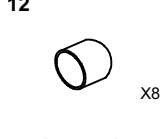

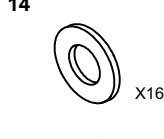
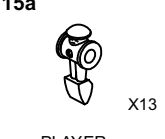



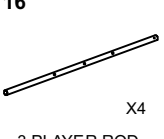

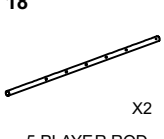


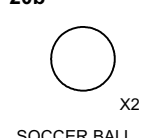
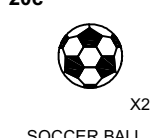




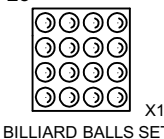
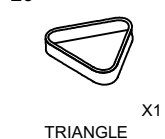
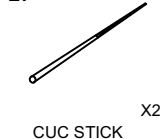
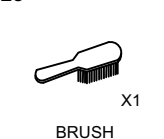
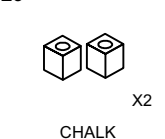

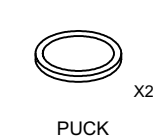


1. This product is intended for **INDOOR** use only.
2. Do **NOT** drag the table when moving it, as this will damage it.

5FT 3 IN 1 MULTI GAME TABLE MANUAL INSTRUCTIONS

Parts List

Illustrations Not to Scale








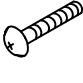
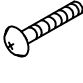




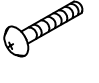

PARTS

<p>1</p>  <p>X2</p> <p>SIDE PANEL</p>	<p>2</p>  <p>X2</p> <p>END PANEL</p>	<p>3</p>  <p>X1</p> <p>AIR HOCKEY/ SOCCER PLAY SURFACE</p>	<p>4</p>  <p>X1</p> <p>BILLIARD TABLE</p>	<p>5</p>  <p>X2</p> <p>RIGHT LEG</p>	<p>6</p>  <p>X2</p> <p>LEFT LEG</p>	<p>7</p>  <p>X2</p> <p>CROSS BAR</p>
<p>8</p>  <p>X1</p> <p>(Pre-installed) BLOWER MOTOR</p>	<p>9</p>  <p>X3</p> <p>SUPPORT ROD</p>	<p>10</p>  <p>X4</p> <p>TRIANGLE BOARD</p>	<p>11</p>  <p>X8</p> <p>ROD HANDLE</p>	<p>12</p>  <p>X8</p> <p>ROD END CAP</p>	<p>13</p>  <p>X16</p> <p>ROD BUMPER</p>	<p>14</p>  <p>X16</p> <p>ROD WASHER</p>
<p>15a</p>  <p>X13</p> <p>PLAYER</p>	<p>15b</p>  <p>X13</p> <p>PLAYER</p>	<p>15c</p>  <p>X13</p> <p>PLAYER</p>	<p>15d</p>  <p>X13</p> <p>PLAYER</p>	<p>16</p>  <p>X4</p> <p>3 PLAYER ROD</p>	<p>17</p>  <p>X2</p> <p>2 PLAYER ROD</p>	<p>18</p>  <p>X2</p> <p>5 PLAYER ROD</p>
<p>19</p>  <p>X2</p> <p>BALL ENTRY CUP</p>	<p>20a</p>  <p>X2</p> <p>SOCCER BALL</p>	<p>20b</p>  <p>X2</p> <p>SOCCER BALL</p>	<p>20c</p>  <p>X2</p> <p>SOCCER BALL</p>	<p>21</p>  <p>X4</p> <p>LEG LEVELER</p>	<p>22</p>  <p>X2</p> <p>GOAL BOX TOP</p>	<p>23</p>  <p>X2</p> <p>GOAL BOX BOTTOM</p>
<p>24</p>  <p>X2</p> <p>(Pre-installed) HOCKEY GOAL</p>	<p>25</p>  <p>X1</p> <p>BILLIARD BALLS SET</p>	<p>26</p>  <p>X1</p> <p>TRIANGLE</p>	<p>27</p>  <p>X2</p> <p>CUC STICK</p>	<p>28</p>  <p>X1</p> <p>BRUSH</p>	<p>29</p>  <p>X2</p> <p>CHALK</p>	<p>30</p>  <p>X2</p> <p>STRIKER</p>
<p>31</p>  <p>X2</p> <p>PUCK</p>	<p>32</p>  <p>X4</p> <p>STOP RING</p>	<p>46</p>  <p>X1</p> <p>ADAPTER</p>				

5FT 3 IN 1 MULTI GAME TABLE MANUAL INSTRUCTIONS

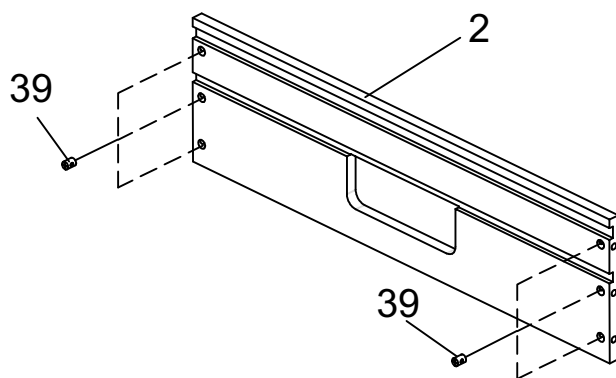
Parts List

HARDWARE

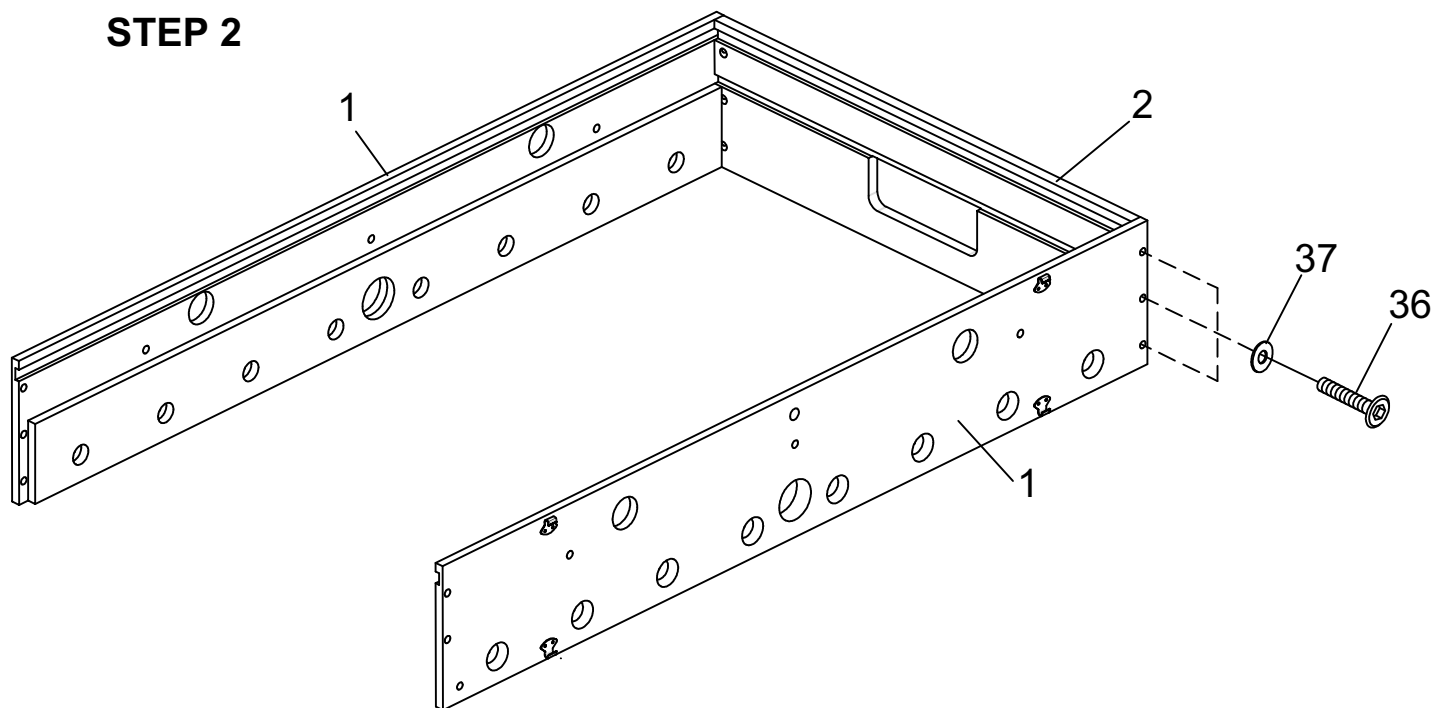
33 X16  5/16" x 1-1/2" BOLT	34 X8  1/4" x 1-1/4" BOLT	35 X16  5/16" WASHER	36 X12  1/4" x 1-3/4" BOLT	37 X20  1/4" WASHER	38 X6  1/4" NUT	39 X12  1/4" LOCK NUT
40a X26  5/32" x 1-1/8" BOLT	40b X26  5/32" x 1-1/8" BOLT	41a X26  5/32" NUT	41b X26  5/32" NUT	42 X10  1/8" x 1/2" SCREW	43 X4  1/8" x 3/8" BOLT	44 X8  3/16" x 3/4" BOLT
45 X1  ALLEN WRENCH						

ASSEMBLY INSTRUCTIONS

STEP 1

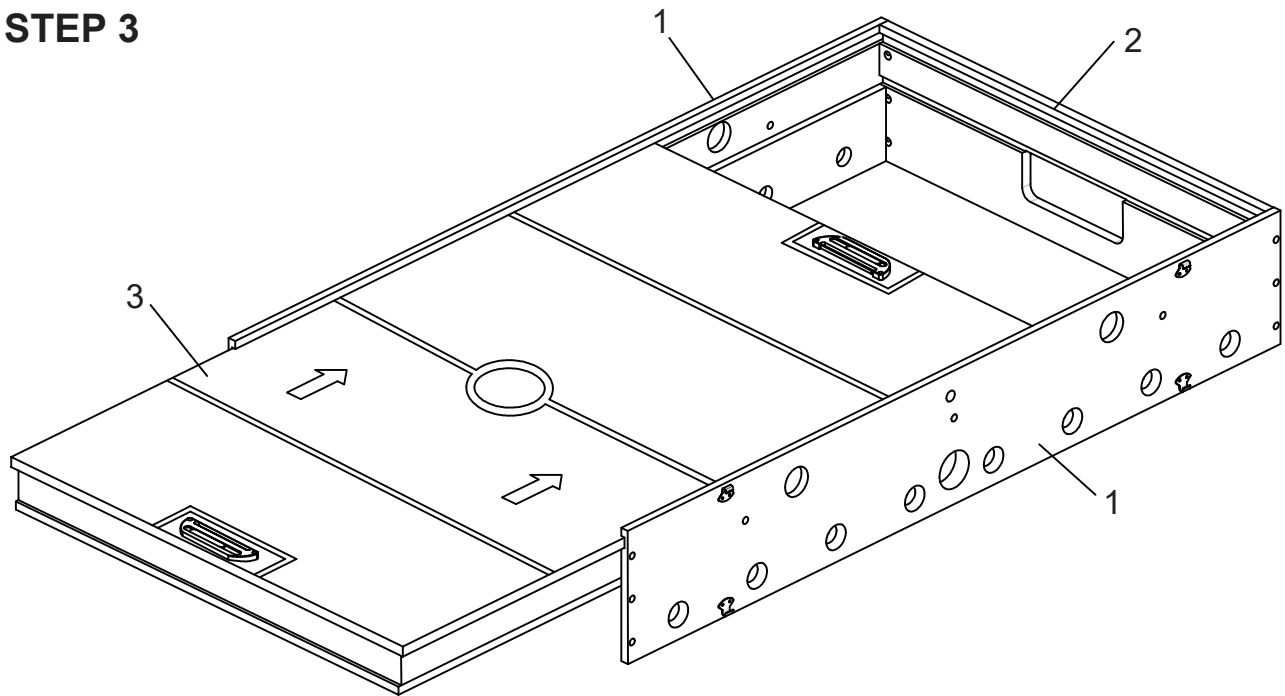


STEP 2

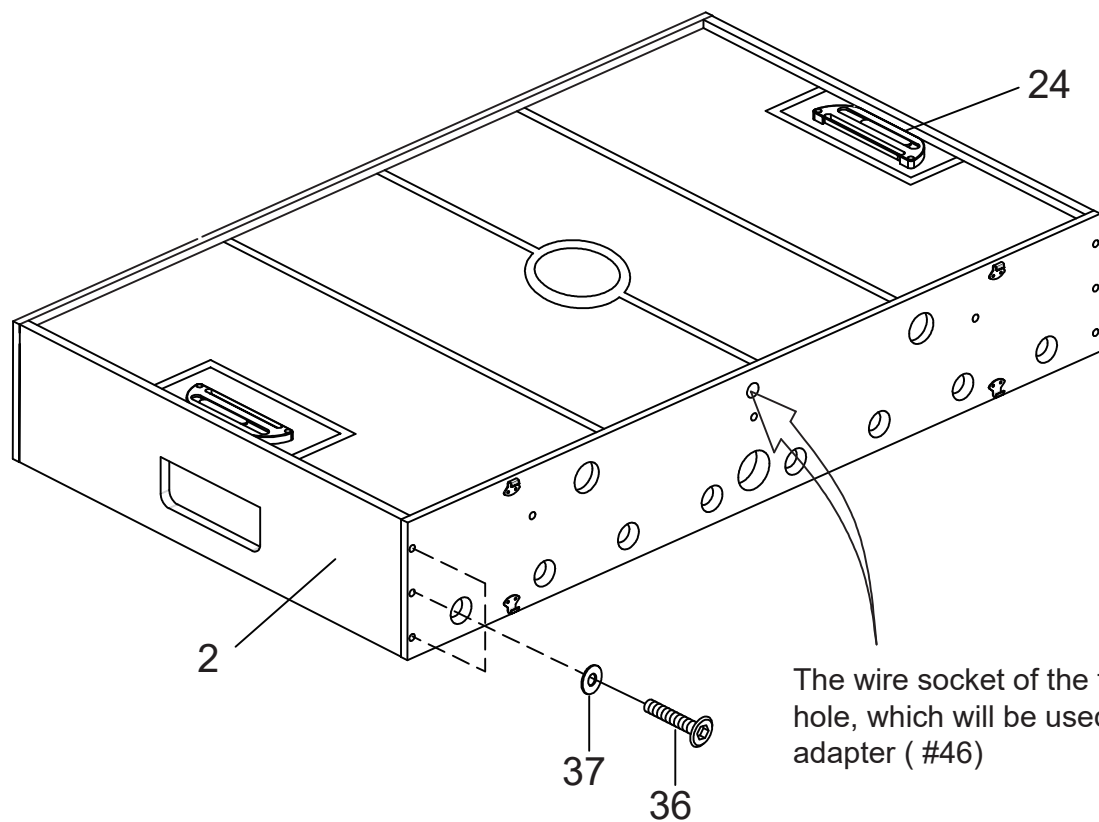


ASSEMBLY INSTRUCTIONS

STEP 3

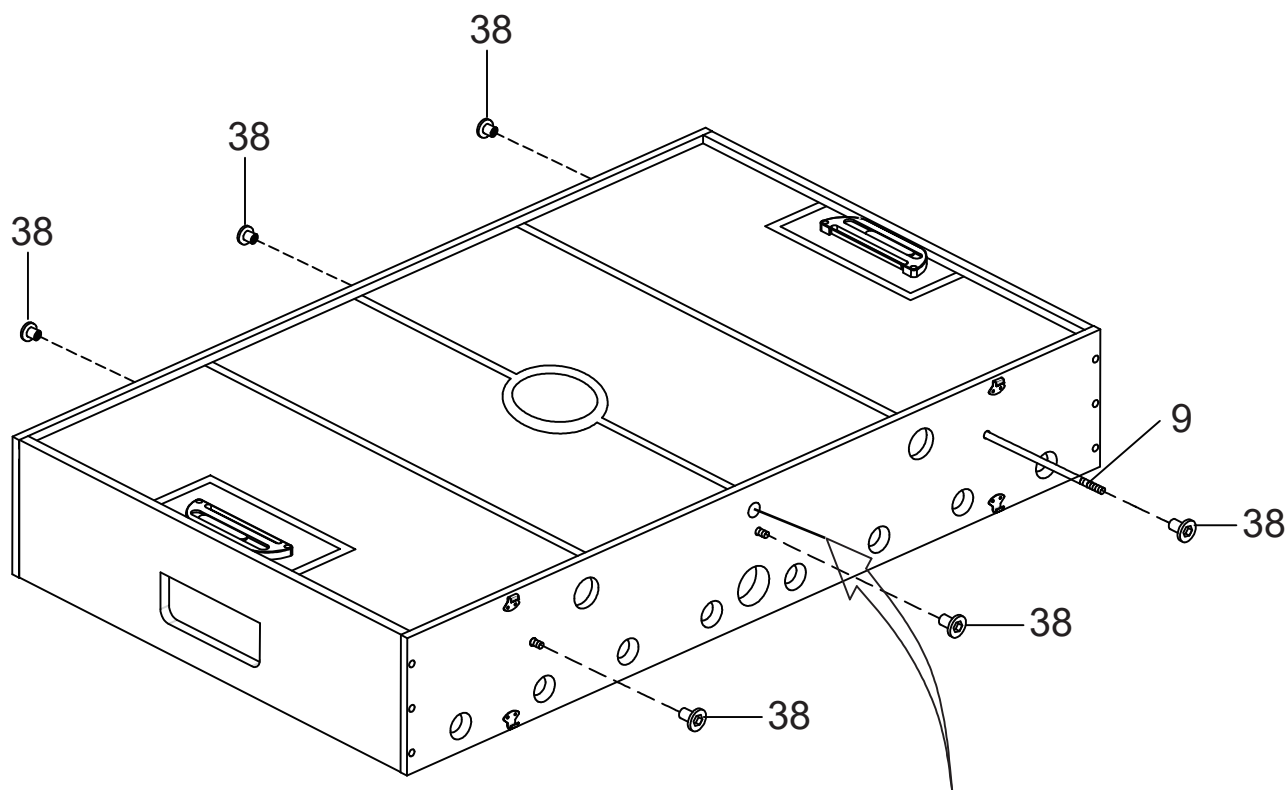


STEP 4



ASSEMBLY INSTRUCTIONS

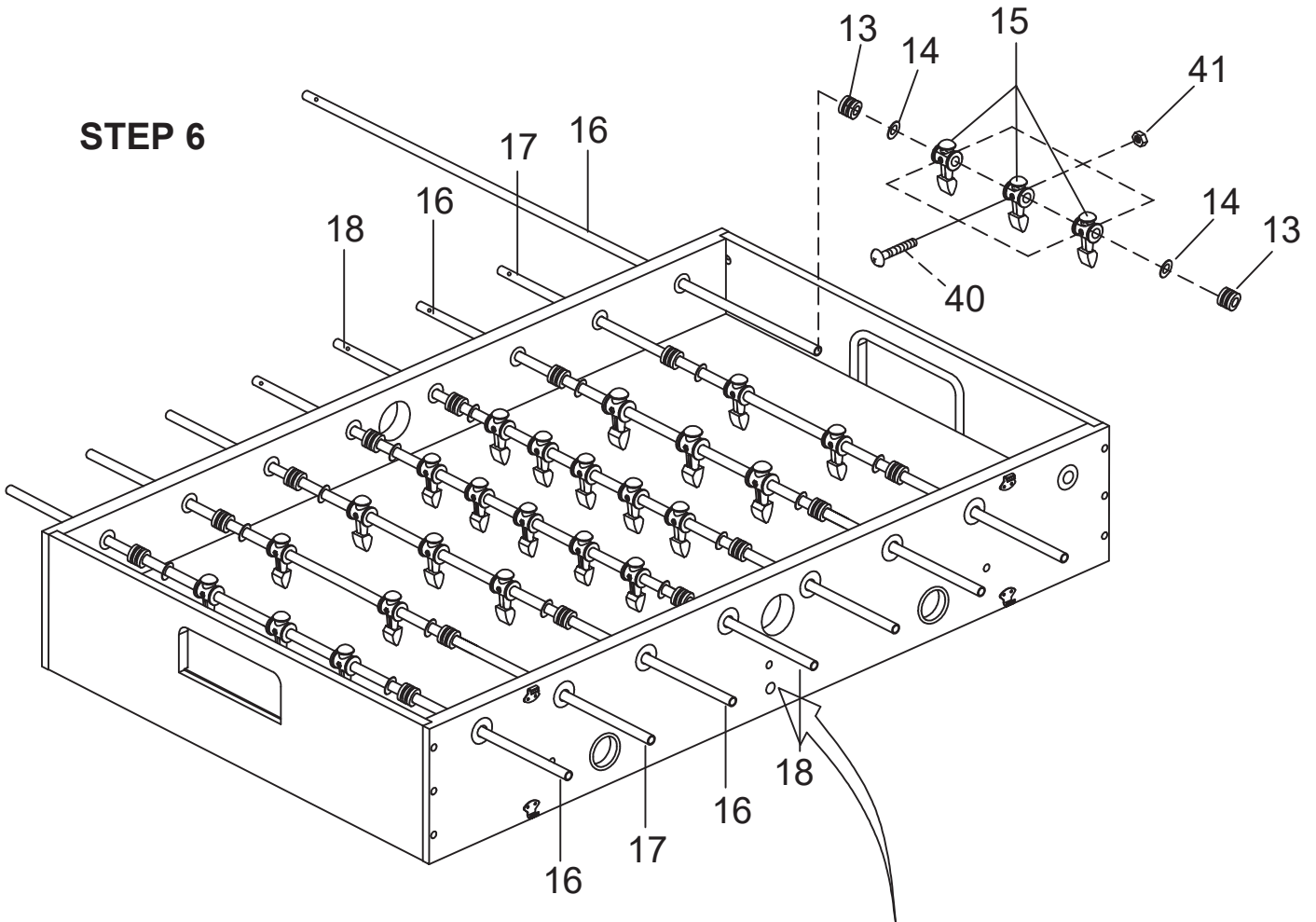
STEP 5



The wire socket of the fan (#8) is in this hole, which will be used to connect the adapter (#46)

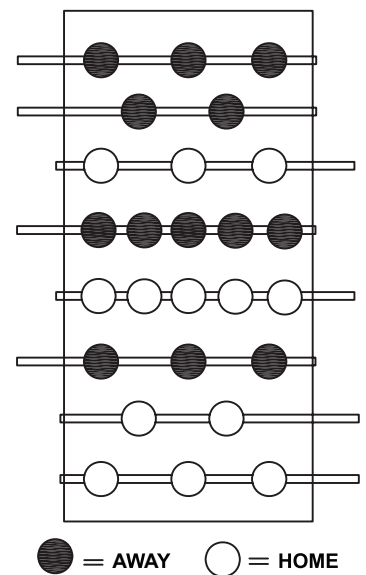
ASSEMBLY INSTRUCTIONS

STEP 6



The wire socket of the fan (#8) is in this hole, which will be used to connect the adapter (#46)

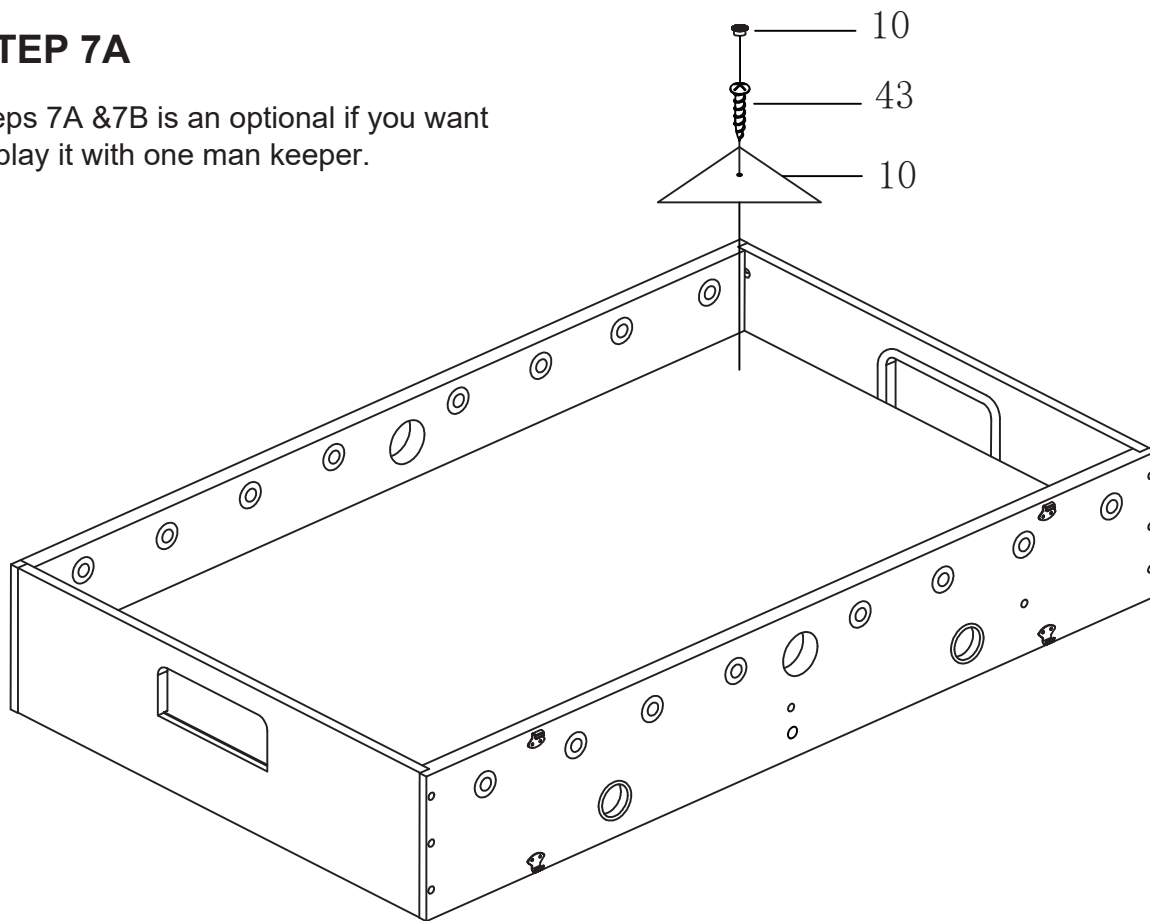
Insert rod end part way through one side panel, then place rest of parts needed on each rod, in order shown, before inserting through other side panel.



ASSEMBLY INSTRUCTIONS

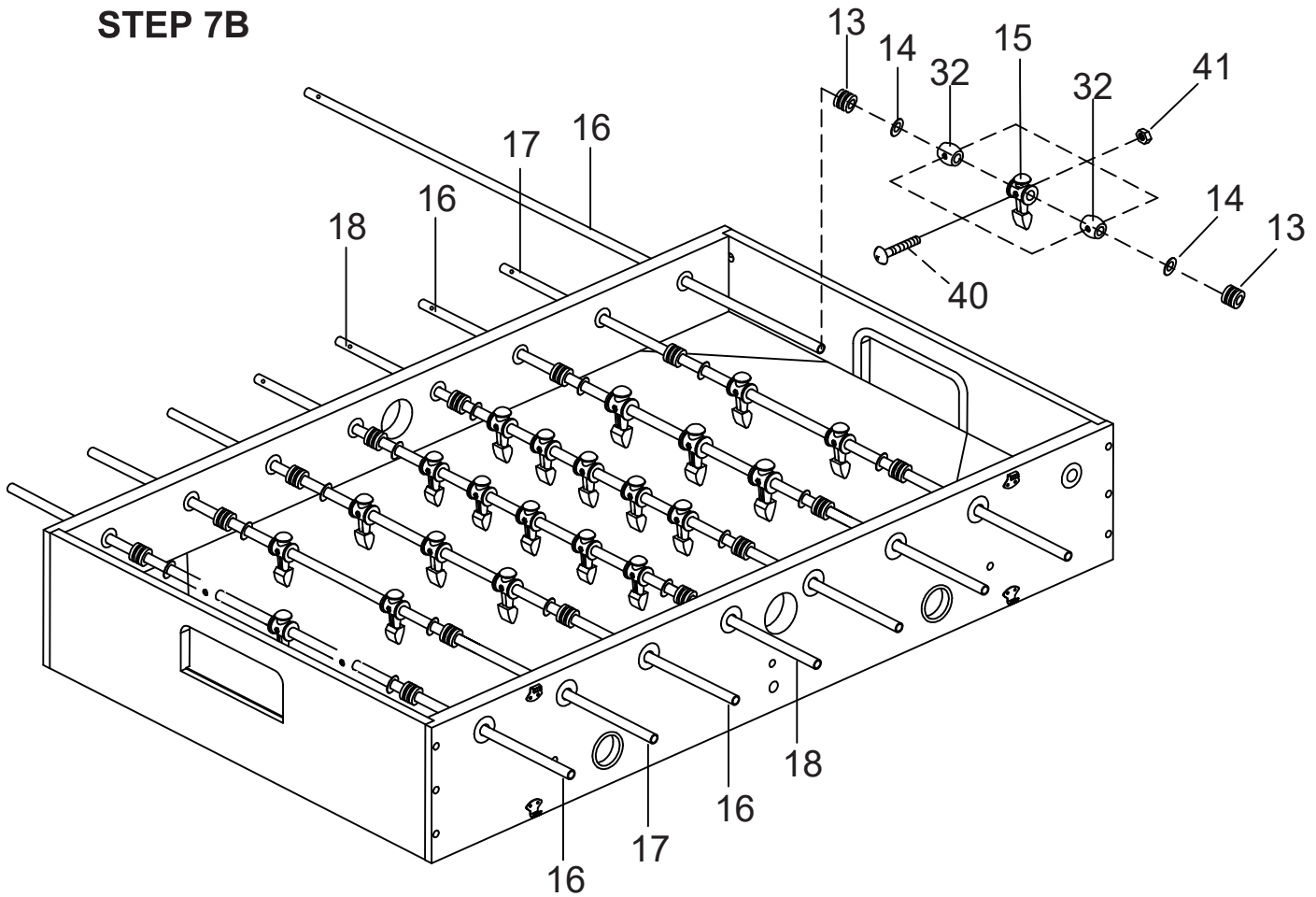
STEP 7A

Steps 7A & 7B is an optional if you want to play it with one man keeper.

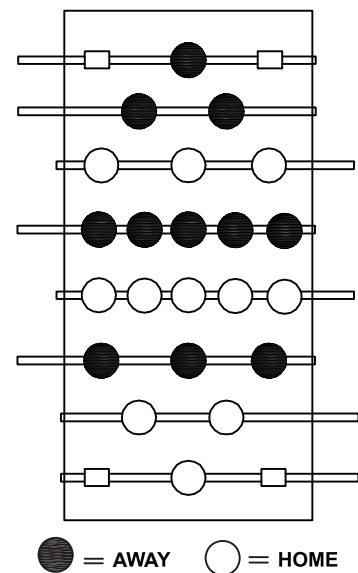


ASSEMBLY INSTRUCTIONS

STEP 7B

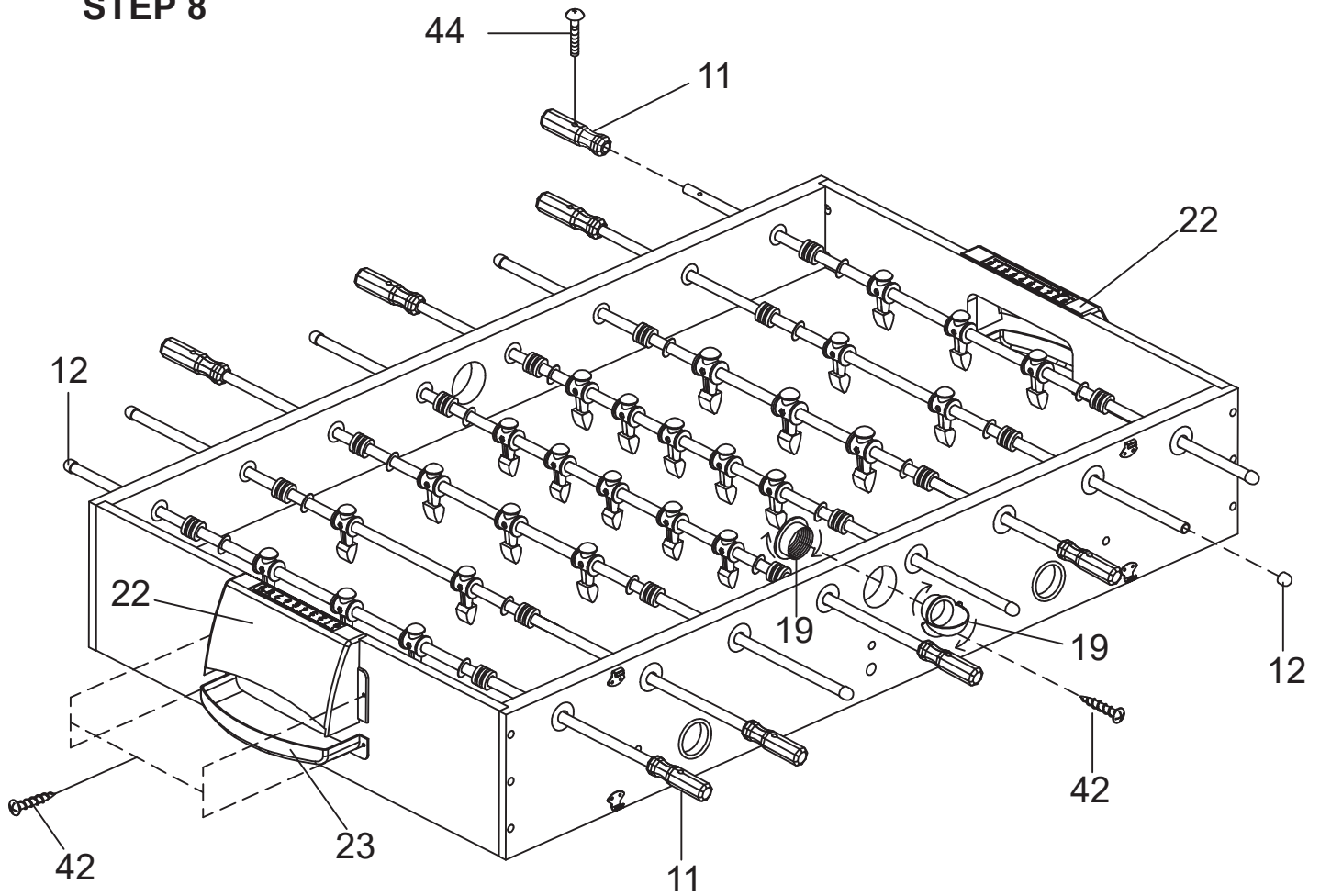


Insert rod end part way through one side panel, then place rest of parts needed on each rod, in order shown, before inserting through other side panel.



ASSEMBLY INSTRUCTIONS

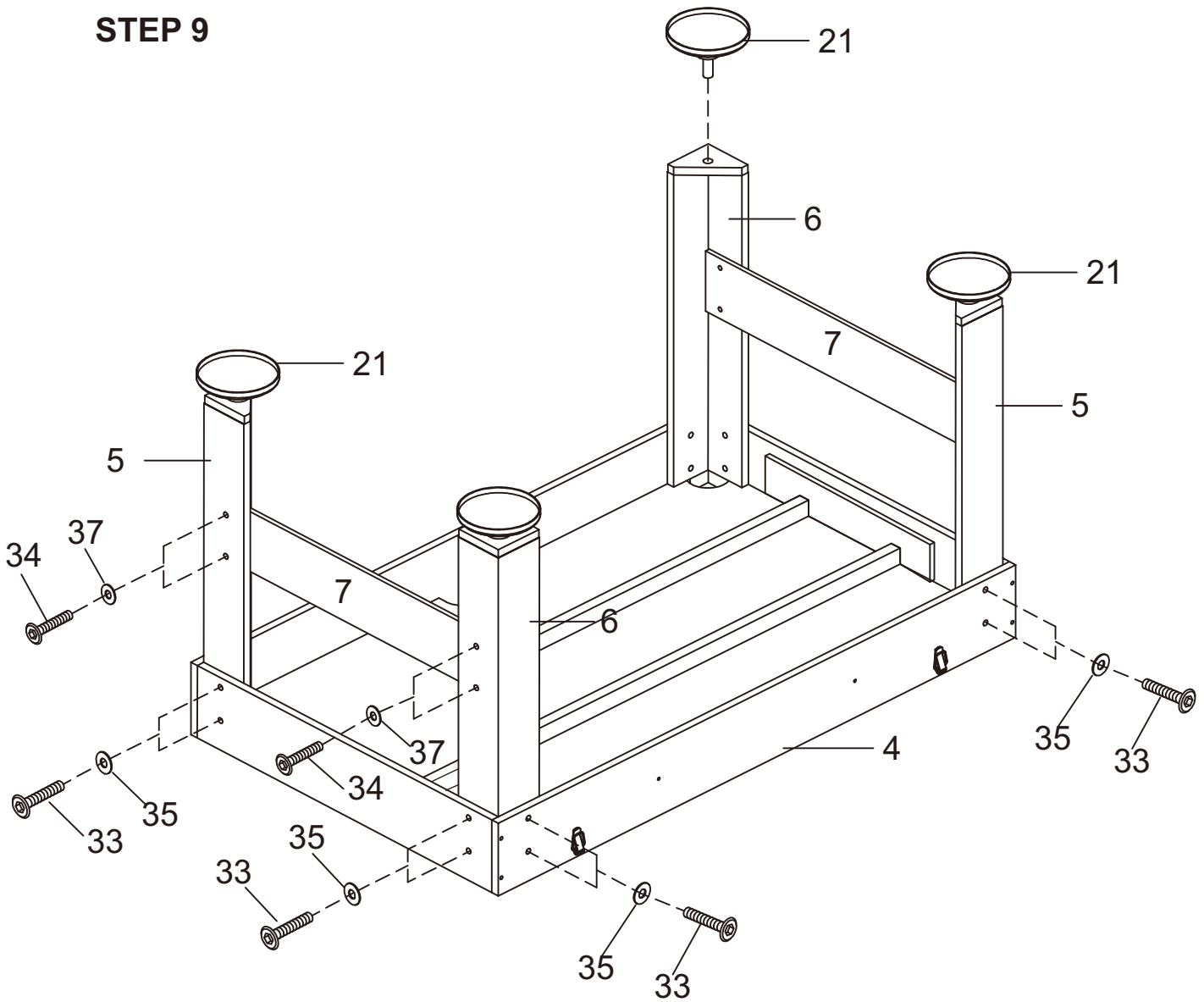
STEP 8



NOTE: Handle (11) attaches to rod end with hole and Rod End Cap (12) goes on opposite end. Each team should face the opposite goal and all be the same color. See diagram above for rod and player positions.

ASSEMBLY INSTRUCTIONS

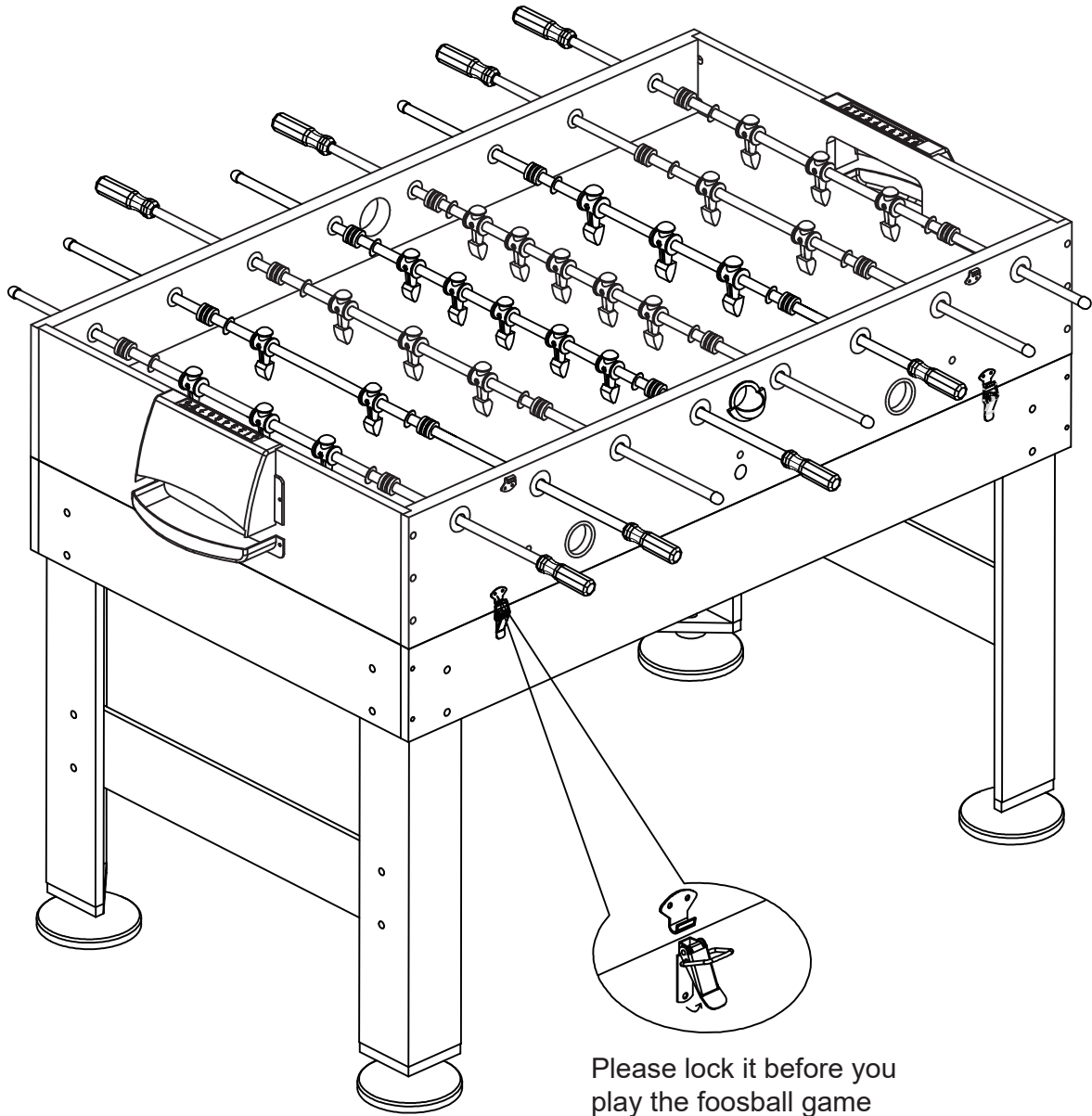
STEP 9



NOTE: Two adults are required to turn table upright. Turn over using main table body only, NOT legs, and place on all four feet on ground at same time.

ASSEMBLY INSTRUCTIONS

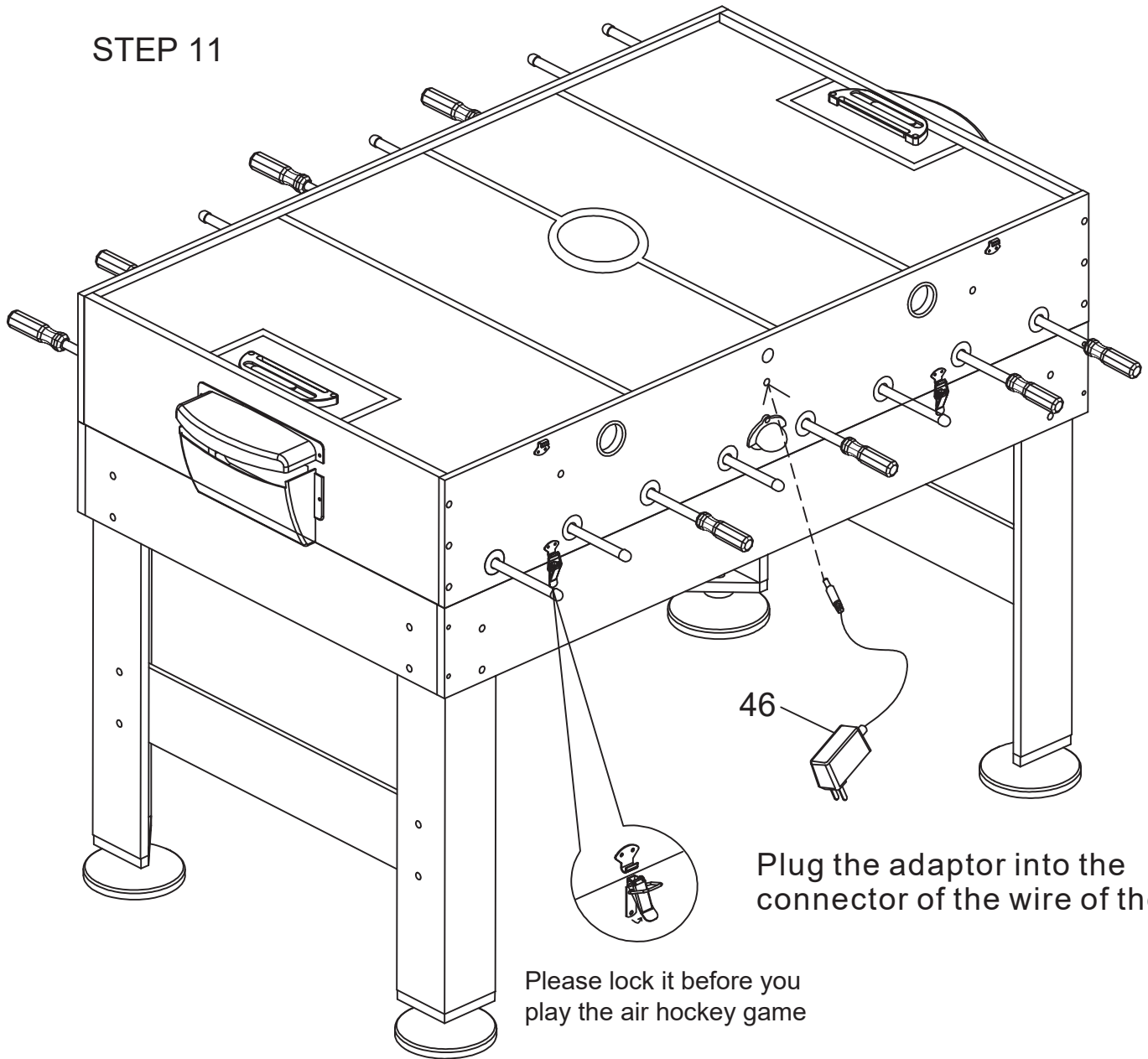
STEP 10



Please lock it before you play the foosball game

ASSEMBLY INSTRUCTIONS

STEP 11



Please lock it before you play the air hockey game

Plug the adaptor into the connector of the wire of the fan

LIFETIME WARRANTY

This product is warranted to the original purchaser to be free from defects in material or workmanship for a period of lifetime from the date of the original retail purchase.

This warranty does not cover defects or damage due to improper installation, alteration, accident or any other event beyond the control of the manufacturer. Defects or damage resulting from misuse, abuse or negligence will void this warranty. This warranty does not cover scratching or damage that may result from normal usage.

This product is not intended for institutional or commercial use; the manufacturer does not assume any liability for such use. Institutional or commercial use will void this warranty.

This warranty is nontransferable and is expressly limited to the repair or replacement of the defective product. During the warranty period, the manufacturer shall repair or replace defective parts at no cost to the purchaser. Shipping charges and insurance are not covered and are the responsibility of the purchaser. Labor charges and related expenses for removal, installation or replacement of the product or components are not covered under this warranty.

The manufacturer reserves the right to make substitutions to warranty claims if parts are unavailable or obsolete.

The manufacturer shall not be liable for loss of use of the product or other consequential or incidental costs, expenses or damages incurred by the consumer of any other use. The user assumes all risk of injury resulting from the use of this product.

This warranty is expressly in lieu of all other warranties, expressed or implied, including warranties of merchantability or fitness for use to the extent permitted by Federal or state law. Neither the manufacturer nor any of its representatives assumes any other liability in connection with this product.

All warranty claims must be made through the retailer where the product was originally purchased. A purchase receipt or other proof of date of purchase will be required to process all warranty claims. The model number and part numbers found within the assembly instructions will be required when submitting any parts requests or warranty claims.

For further warranty information or inquiries, please call 1-866-844-5425