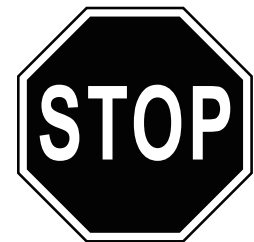
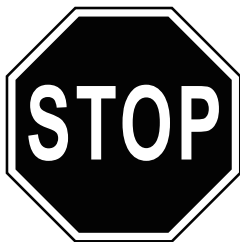
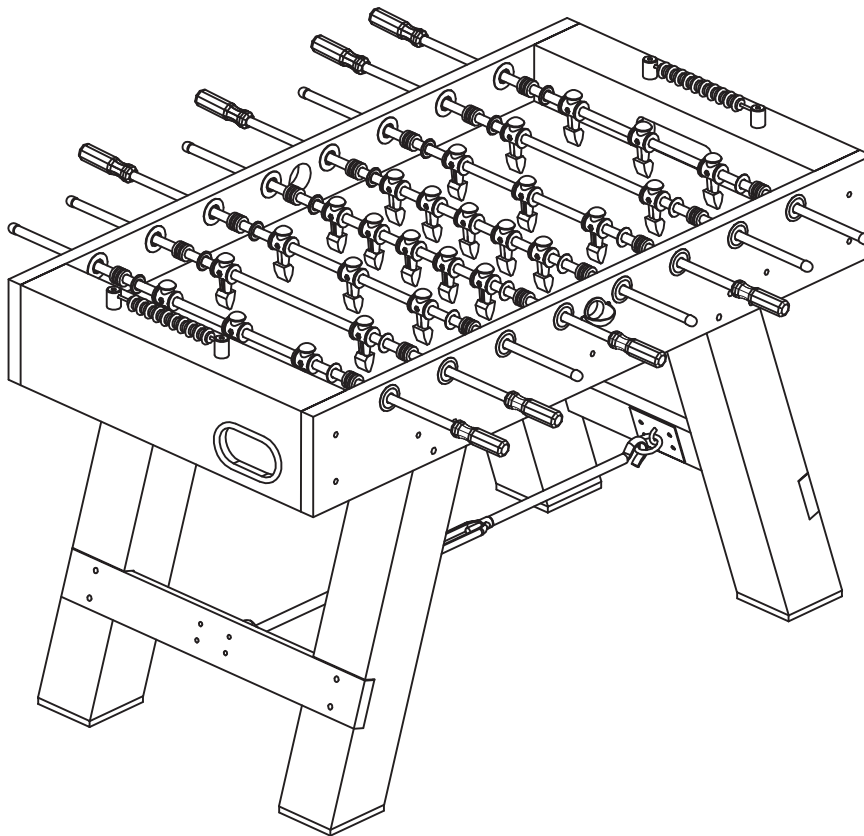




Official Website of KICK Foosball Tables

KICK Cavalier Black 5FT FOOSBALL TABLE ASSEMBLY INSTRUCTIONS



Official Website of KICK Foosball Tables

IF YOUR TABLE HAS DAMAGES, MISSING PARTS, OR YOU ARE NOT **100%** SATISFIED PLEASE CONTACT **KICK, NOT THE RESELLER.**

FOR THE MOST CURRENT INSTRUCTION MANUALS AND ASSEMBLY VIDEOS, PLEASE VISIT OUR WEBSITE OR CONTACT **KICK.**

CONTACT INFORMATION:

Email: support@kickfoosballtables.com
Website: www.kickfoosballtables.com
Phone: 1-866-844-5425

MAILING ADDRESS:

KICK Sports
PO Box 790311
San Antonio, Texas 78279

THANK YOU!

Thank you for purchasing this product. We work around the clock and around the globe to ensure that our products maintain the highest possible quality. However, in the rare case of issues during assembly or use of this product. Please contact our consumer hotline at **1-866-844-5425** for immediate assistance. Please read the warranty information at the back of these assembly Instructions for further details.

ASSEMBLY TIPS

IMPORTANT! PLEASE READ THESE ASSEMBLY INSTRUCTIONS IN ENTIRETY BEFORE ASSEMBLING YOUR PRODUCT.

1. Find a clean, level surface to begin the assembly of your game table. We recommend that two adults work together to assemble this game. You may want to carefully cut or tear the four corners of the box so that the bottom of the box can be used as your work surface.
2. Remove all of the contents from box and verify that you have all of the parts shown on the Parts List before you begin assembly. **Note: Some parts may be pre-installed or pre-assembled.**
3. Some figures or drawings may not look exactly like product.
4. ***When installing parts that have more than one screw or bolt, hand tighten all screws or bolts in place before final tightening with screwdriver or wrench.***
5. Electric screwdrivers may be helpful during assembly; however, please set a **low torque** and use extreme caution because screws may be stripped or overtightened, resulting in damaged parts, if the electric screwdriver's torque is set too high.

WARNINGS!

READ AND FOLLOW ALL ASSEMBLY, OPERATION AND SAFETY INSTRUCTIONS CAREFULLY.

**CHOKER HAZARD - THIS ITEM MAY CONTAIN SMALL BALLS AND PARTS
NOT SUITABLE FOR CHILDREN UNDER 3 YEARS OF AGE.**

CARE AND USE

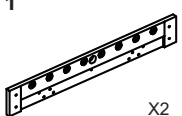
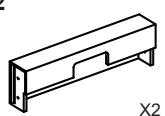
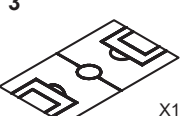

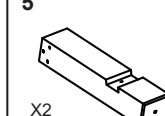
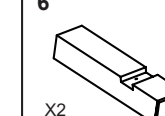
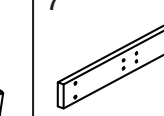

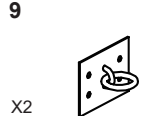
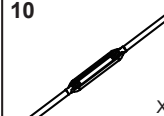
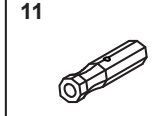
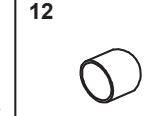

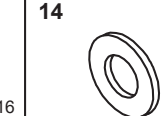


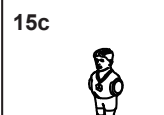

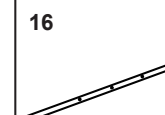
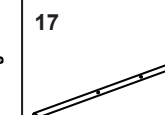
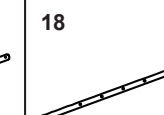
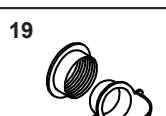
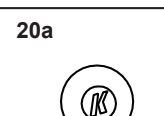
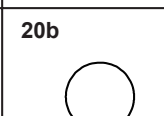

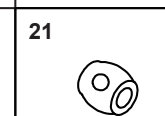
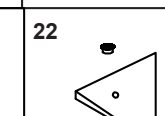
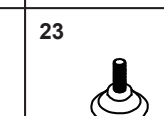
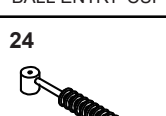
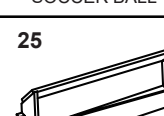
1. This product is intended for **INDOOR** use only.
2. Do **NOT** drag the table when moving it, as this will damage it.

5FT FOOSBALL TABLE





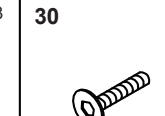
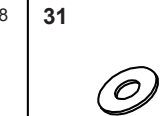
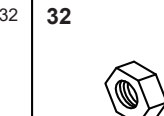
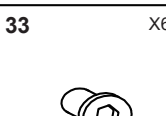
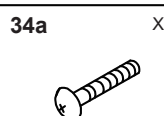
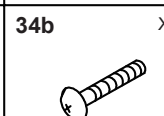
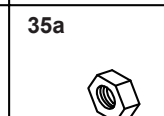
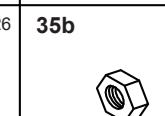
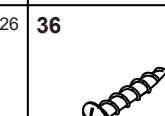

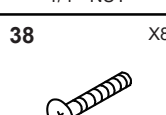
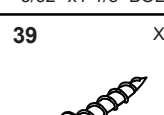
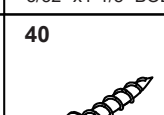
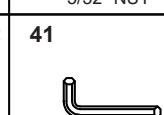

Parts List

Illustrations Not to Scale

PARTS

1  X2 SIDE PANEL	2  X2 ENDPANEL	3  X1 PLAYFIELD	4  X3 SUPPORT BRACE	5  X2 RIGHTLEG	6  X2 LEFTLEG	7  X2 CROSS BAR
8  X3 SUPPORT ROD	9  X2 METALPLATEWITH RING	10  X1 ADJUSTABLE SUPPORT BAR	11  X8 ROD HANDLE	12  X8 ROD END CAP	13  X16 ROD BUMPER	14  X16 ROD WASHER
15a  X13 PLAYER	15b  X13 PLAYER	15c  X13 PLAYER	15d  X13 PLAYER	16  X4 3 PLAYER ROD	17  X2 2 PLAYER ROD	18  X2 5 PLAYER ROD
19  X2 BALL ENTRY CUP	20a  X2 SOCCER BALL	20b  X2 SOCCER BALL	20c  X2 SOCCER BALL	21  X4 STOP RING	22  X4 TRIANGLE BOARD	23  X4 LEG LEVELER
24  X2 SLIDES CORER	25  X2 GOAL BOX					

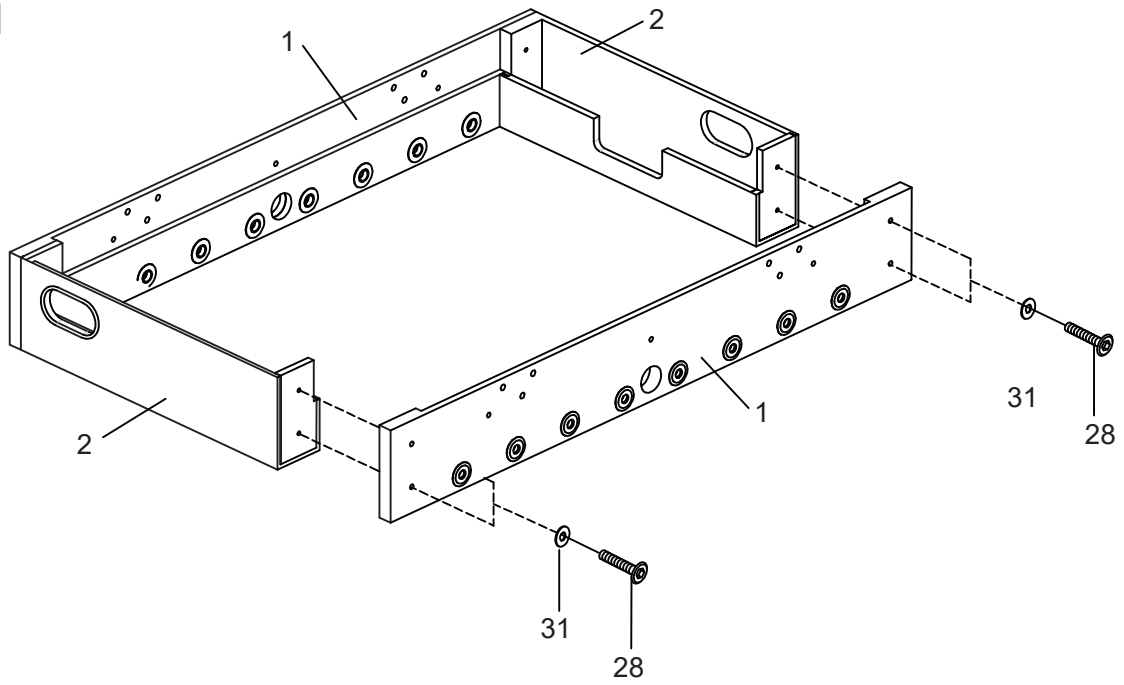
HARDWARE

26  X12 5/16" x 1-1/2" BOLT	27  X12 5/16" WASHER	28  X8 1/4" x 2" BOLT	29  X8 1/4" x 1-3/4" BOLT	30  X8 1/4" x 1-1/2" BOLT	31  X32 1/4" WASHER	32  X8 1/4" LOCK NUT
33  X6 1/4" NUT	34a  X26 5/32" x 1-1/8" BOLT	34b  X26 5/32" x 1-1/8" BOLT	35a  X26 5/32" NUT	35b  X26 5/32" NUT	36  X4 1/8" x 1-3/4" SCREWS	37  X20 1/8" x 1" SCREWS
38  X8 3/16" x 3/4" BOLT	39  X4 1/8" x 3/8" SCREWS	40  X2 1/8" x 1/2" SCREWS	41  X1 ALLEN KEY	42  X1 ALLEN WRENCH		

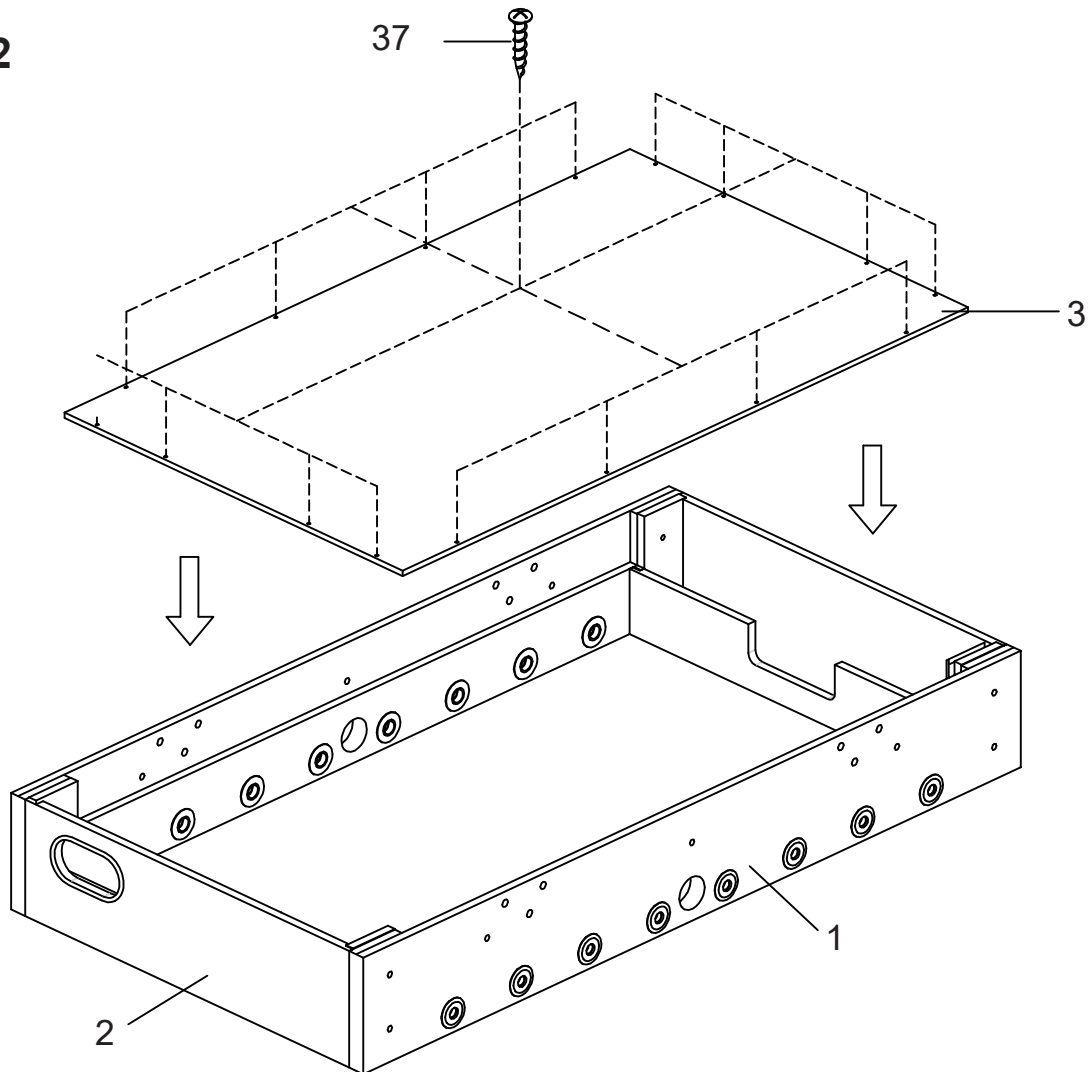
For replacement parts please call 1-866-844-5425

ASSEMBLY INSTRUCTIONS

STEP 1

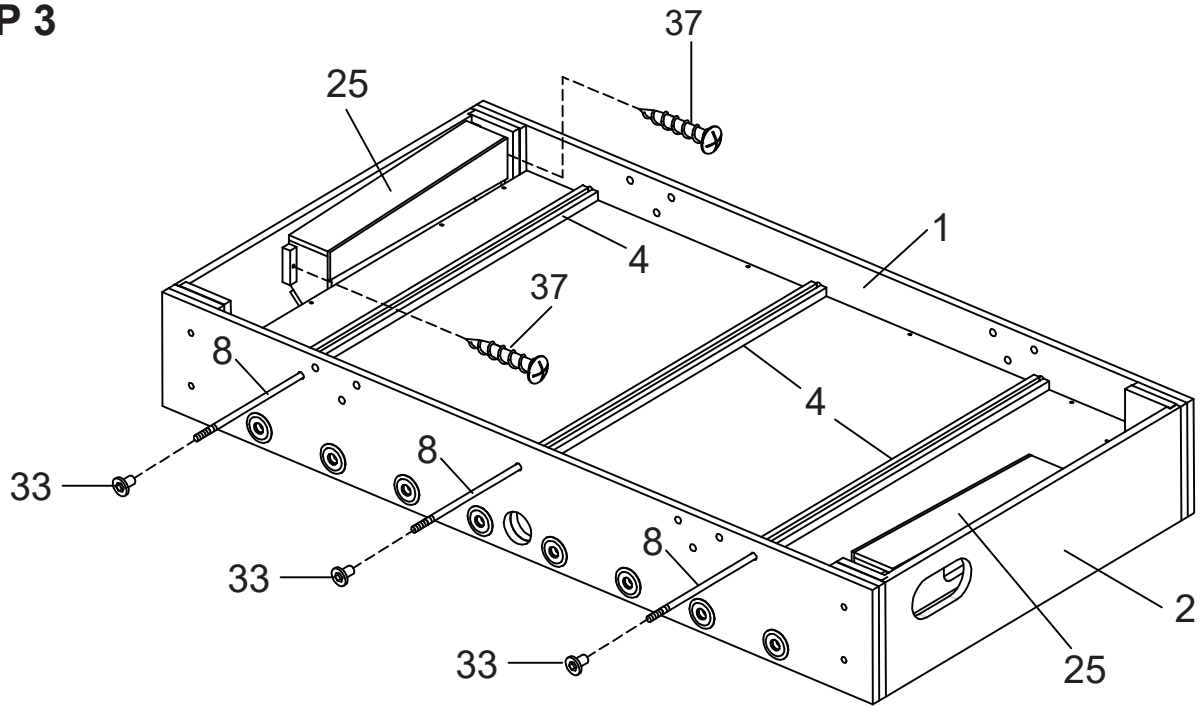


STEP 2

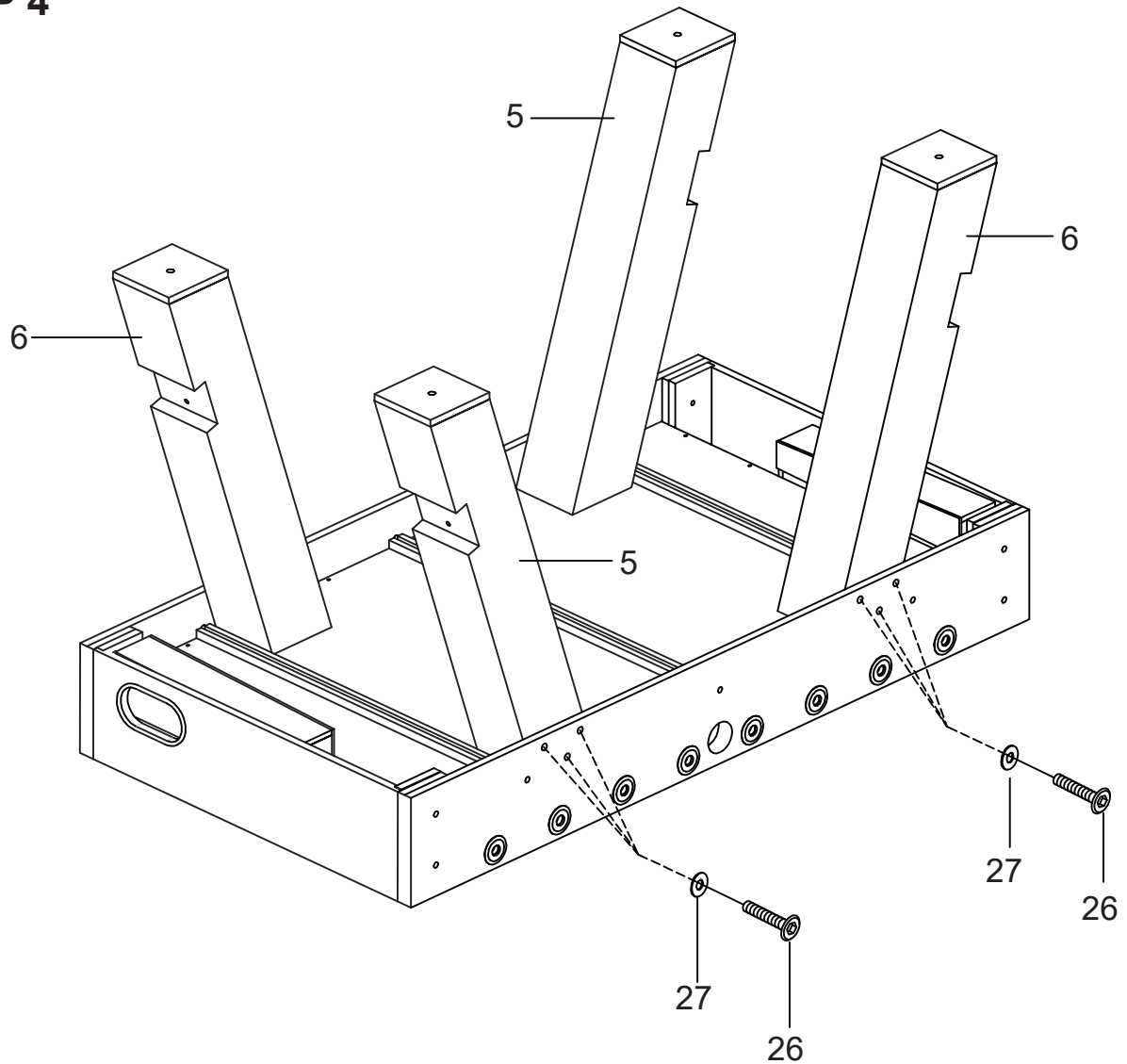


ASSEMBLY INSTRUCTIONS

STEP 3

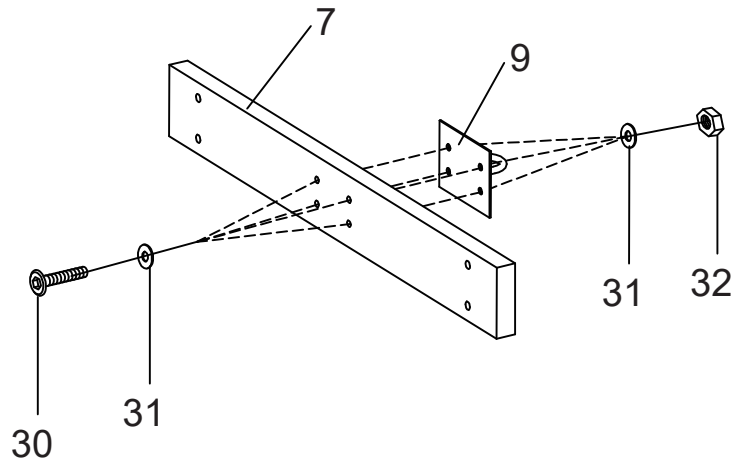


STEP 4

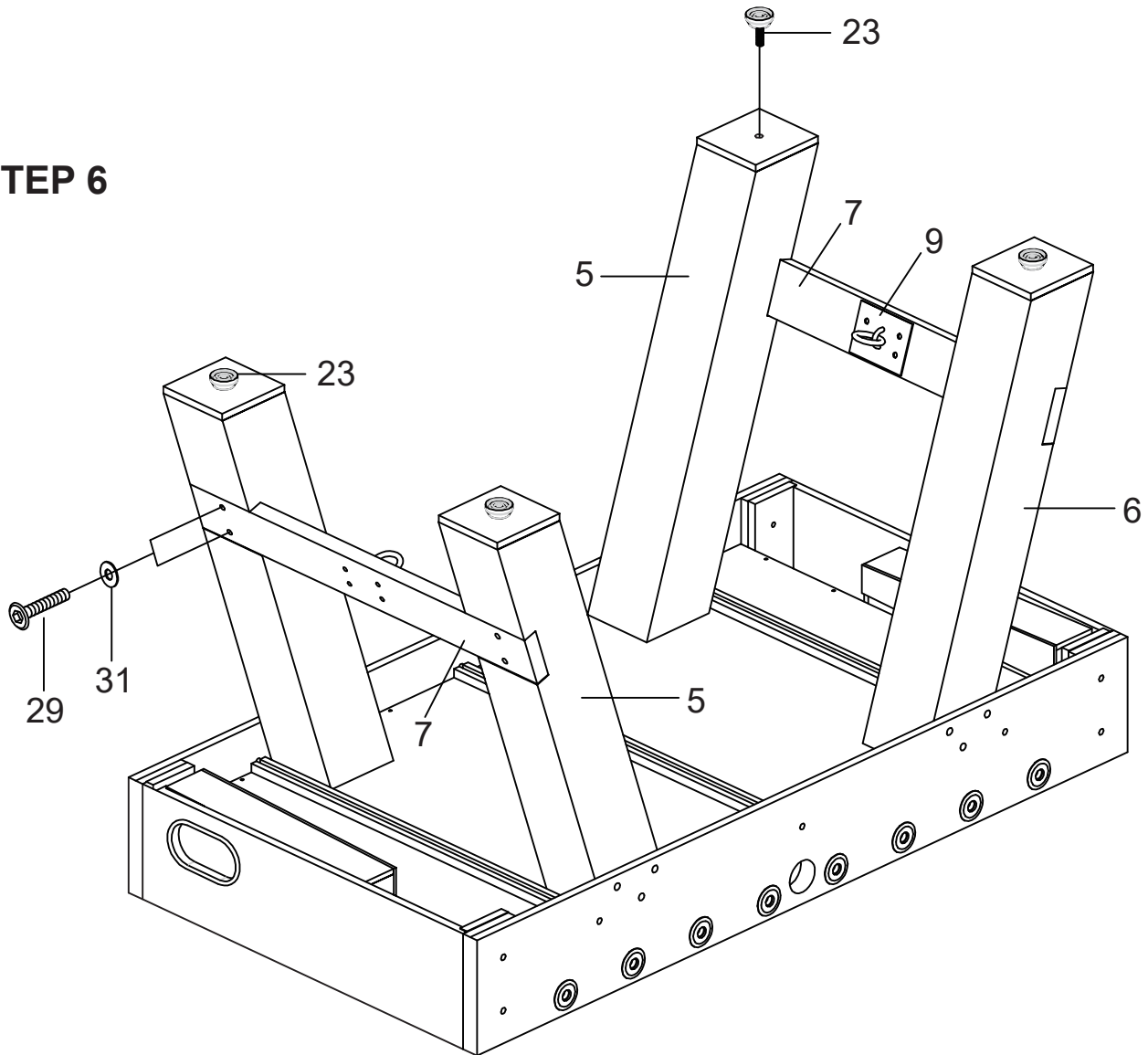


ASSEMBLY INSTRUCTIONS

STEP 5

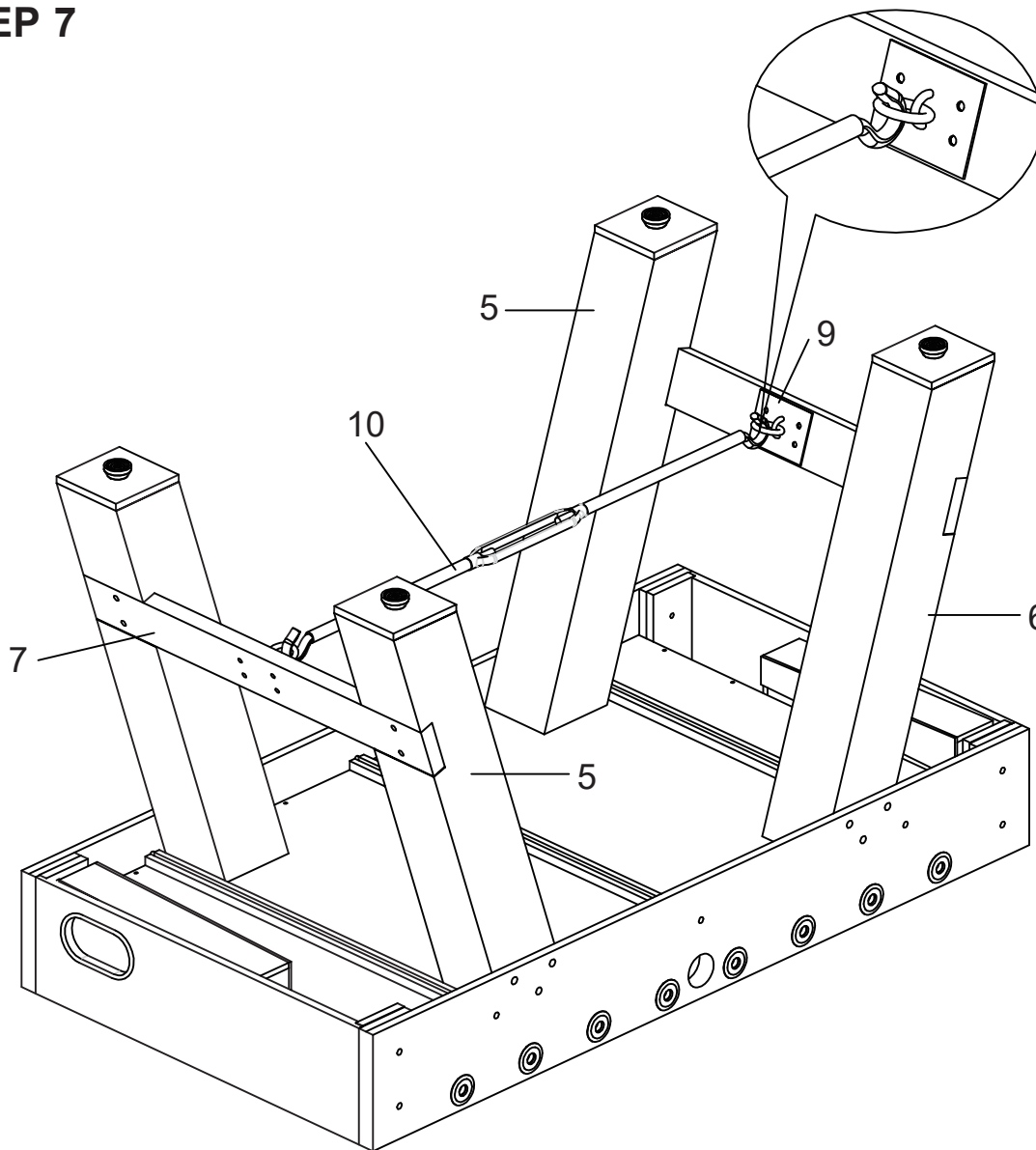


STEP 6



ASSEMBLY INSTRUCTIONS

STEP 7

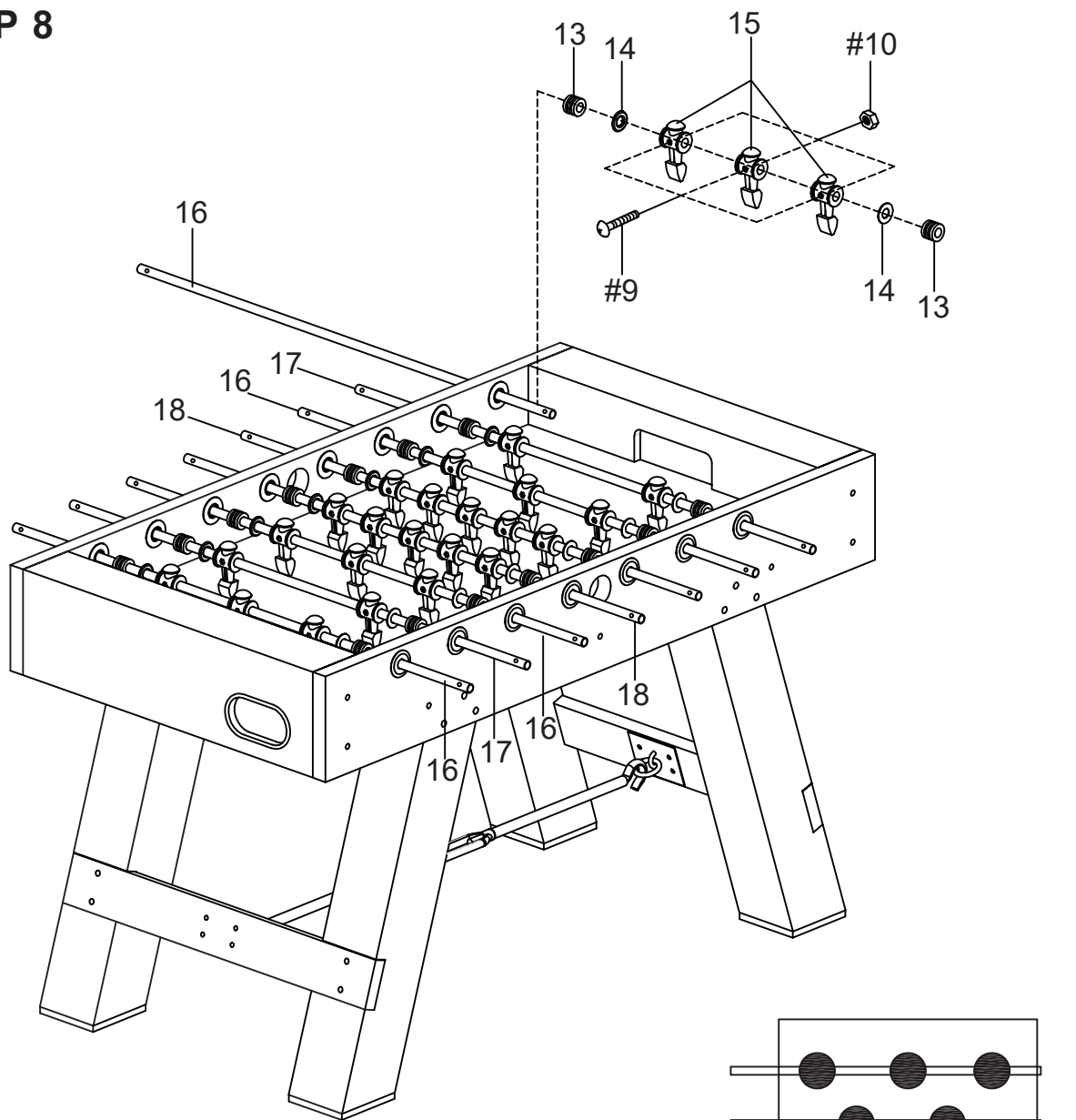


NOTE: Attach two ends of the Adjustable Support Bar (10) to the Ring Plates (9) on the Leg Panels. Adjust the length as necessary to fit.

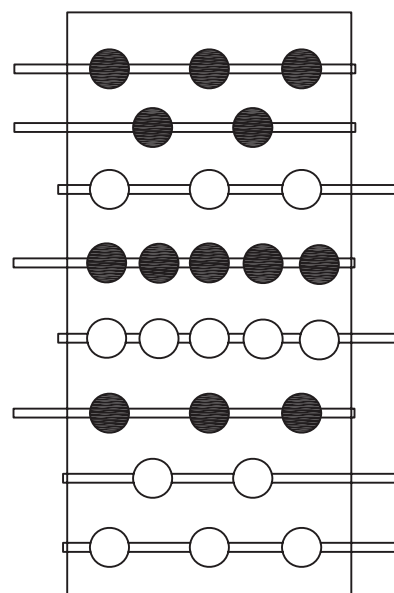
NOTE: Two adults are required to turn table upright. Turn over using main table body only, NOT legs, and place on all four feet on ground at same time.

ASSEMBLY INSTRUCTIONS

STEP 8



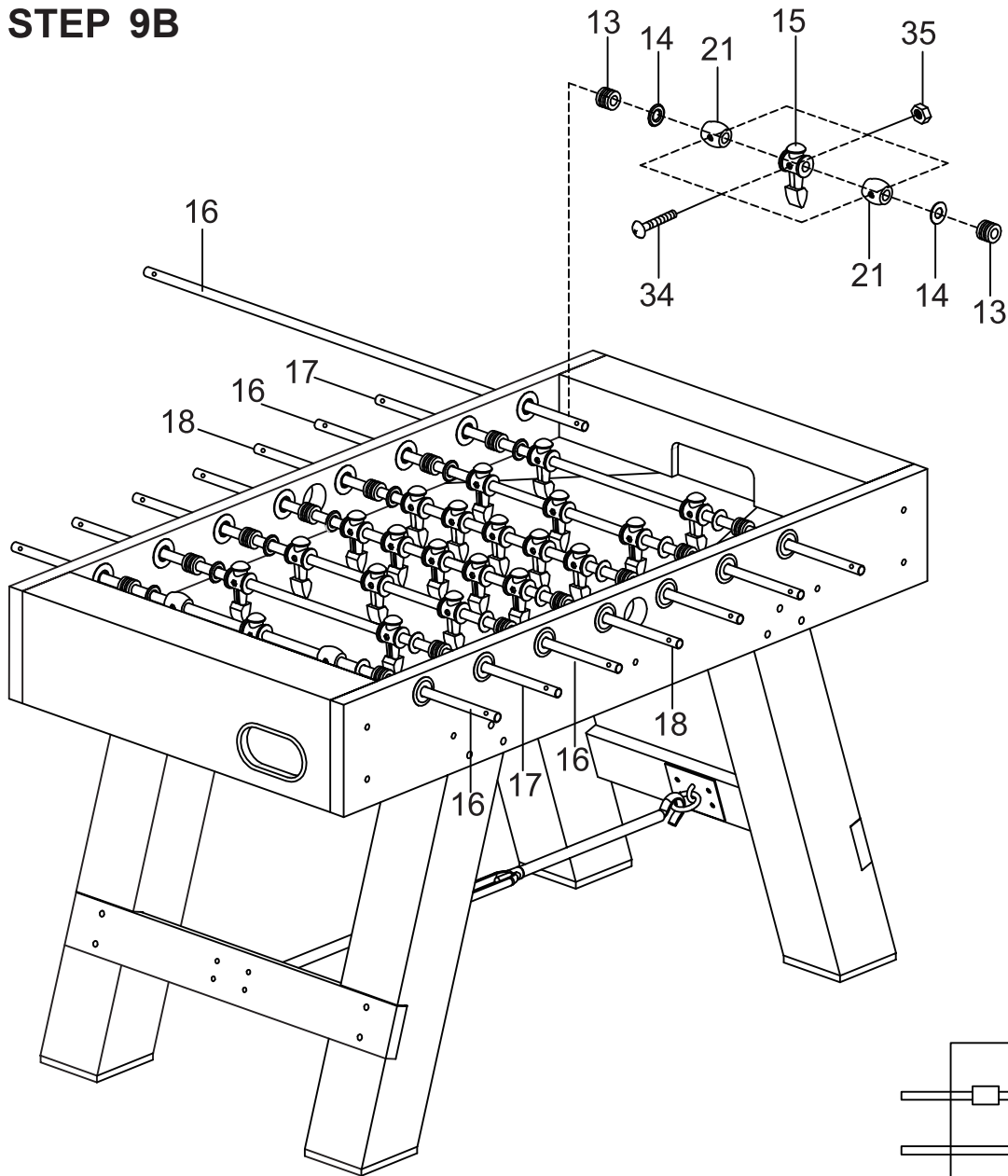
Insert rod end part way through one side panel, then place rest of parts needed on each rod, in order shown, before inserting through other side panel.



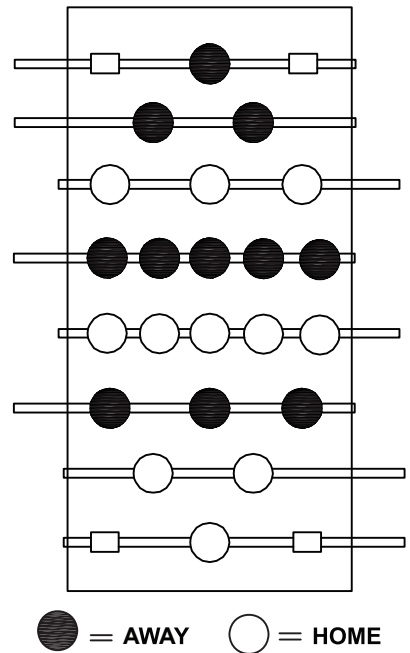
● = AWAY ○ = HOME

ASSEMBLY INSTRUCTIONS

STEP 9B

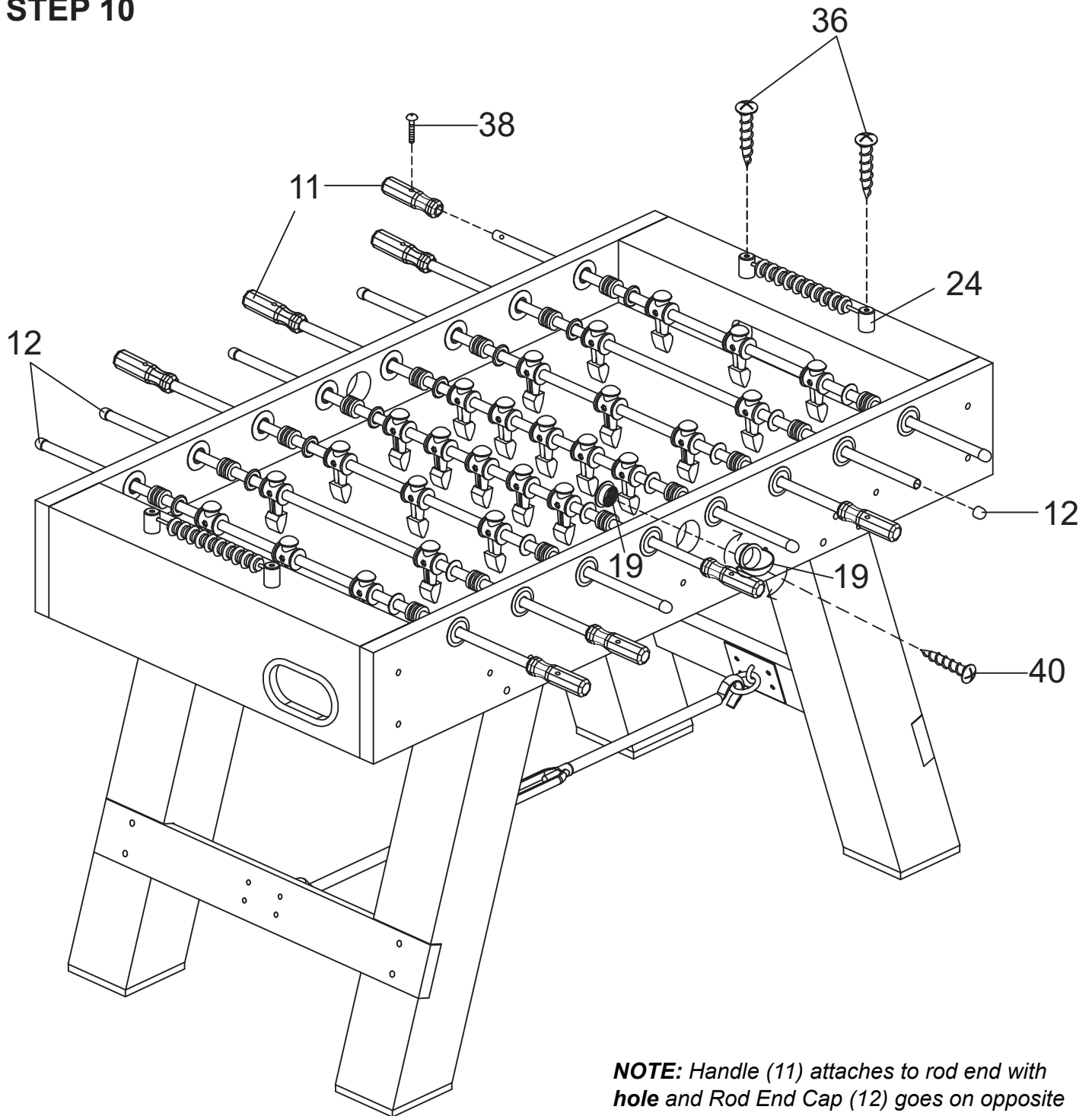


Insert rod end part way through one side panel, then place rest of parts needed on each rod, in order shown, before inserting through other side panel.



ASSEMBLY INSTRUCTIONS

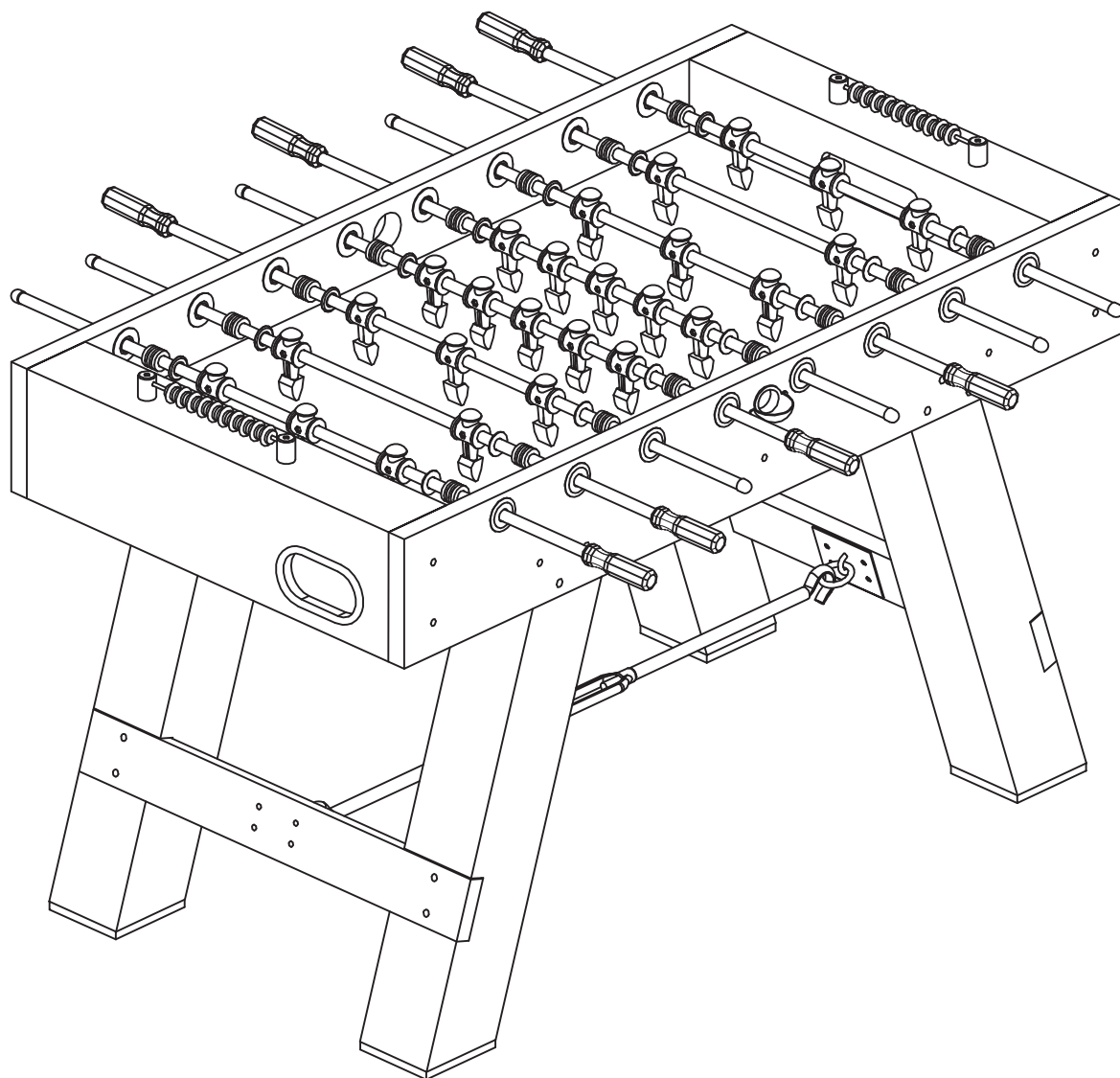
STEP 10



NOTE: Handle (11) attaches to rod end with hole and Rod End Cap (12) goes on opposite end. Each team should face the opposite goal and all be the same color. See diagram above for rod and player positions.

ASSEMBLY INSTRUCTIONS

STEP 11



NOTE: Once table is completely assembled and placed in desired location, use level (not included) to adjust leg levelers so table is level in both directions.

LIFETIME WARRANTY

This product is warranted to the original purchaser to be free from defects in material or workmanship for a period of lifetime from the date of the original retail purchase.

This warranty does not cover defects or damage due to improper installation, alteration, accident or any other event beyond the control of the manufacturer. Defects or damage resulting from misuse, abuse or negligence will void this warranty. This warranty does not cover scratching or damage that may result from normal usage.

This product is not intended for institutional or commercial use; the manufacturer does not assume any liability for such use. Institutional or commercial use will void this warranty.

This warranty is nontransferable and is expressly limited to the repair or replacement of the defective product. During the warranty period, the manufacturer shall repair or replace defective parts at no cost to the purchaser. Shipping charges and insurance are not covered and are the responsibility of the purchaser. Labor charges and related expenses for removal, installation or replacement of the product or components are not covered under this warranty.

The manufacturer reserves the right to make substitutions to warranty claims if parts are unavailable or obsolete.

The manufacturer shall not be liable for loss of use of the product or other consequential or incidental costs, expenses or damages incurred by the consumer of any other use. The user assumes all risk of injury resulting from the use of this product.

This warranty is expressly in lieu of all other warranties, expressed or implied, including warranties of merchantability or fitness for use to the extent permitted by Federal or state law. Neither the manufacturer nor any of its representatives assumes any other liability in connection with this product.

All warranty claims must be made through the retailer where the product was originally purchased. A purchase receipt or other proof of date of purchase will be required to process all warranty claims. The model number and part numbers found within the assembly instructions will be required when submitting any parts requests or warranty claims.

For further warranty information or inquiries, please call 1-866-844-5425