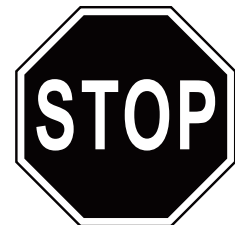
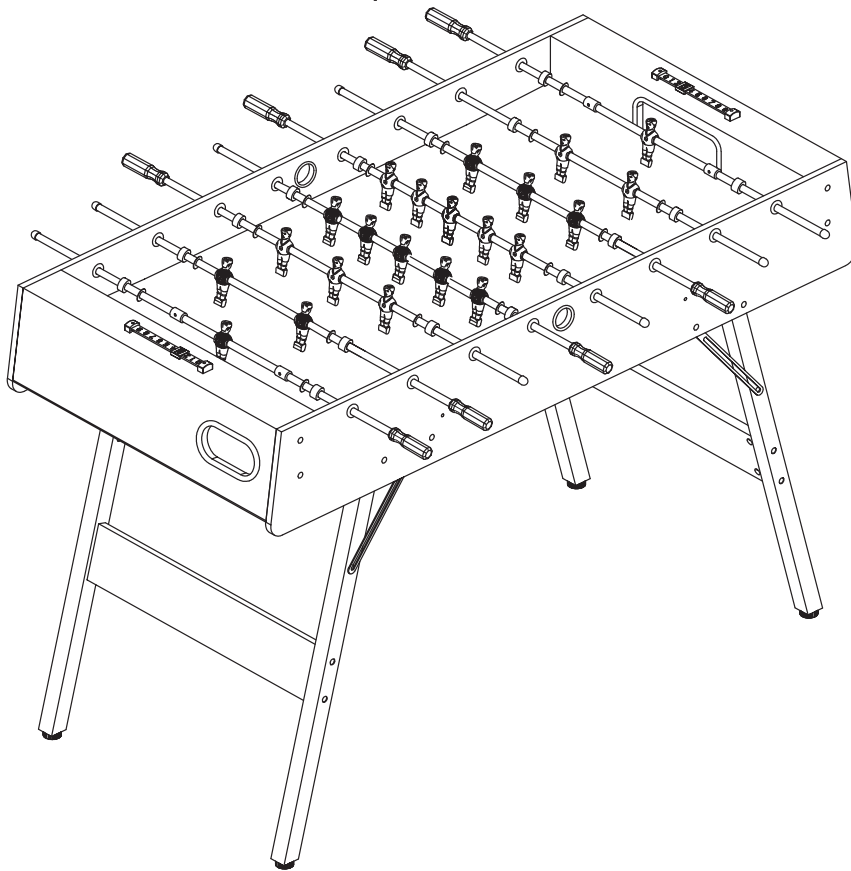




Official Website of KICK Foosball Tables

# KICK Arcadia Black 4FT FOLDING FOOSBALL TABLE ASSEMBLY INSTRUCTIONS



Official Website of KICK Foosball Tables

IF YOUR TABLE HAS DAMAGES, MISSING PARTS, OR YOU ARE NOT **100%** SATISFIED PLEASE CONTACT **KICK, NOT THE RESELLER.**

FOR THE MOST CURRENT INSTRUCTION MANUALS AND ASSEMBLY VIDEOS, PLEASE VISIT OUR WEBSITE OR CONTACT **KICK.**

**CONTACT INFORMATION:**

Email: support@kickfoosballtables.com  
Website: www.kickfoosballtables.com  
Phone: 1-866-844-5425

**MAILING ADDRESS:**

KICK Sports  
PO Box 790311  
San Antonio, Texas 78279

# THANK YOU!

**Thank you for purchasing this product.** We work around the clock and around the globe to ensure that our products maintain the highest possible quality. However, in the rare case of issues during assembly or use of this product. Please contact our consumer hotline at **1-866-844-5425** for immediate assistance. Please read the warranty information at the back of these assembly Instructions for further details.

## ASSEMBLY TIPS

### **IMPORTANT! PLEASE READ THESE ASSEMBLY INSTRUCTIONS IN ENTIRETY BEFORE ASSEMBLING YOUR PRODUCT.**

1. Find a clean, level surface to begin the assembly of your game table. We recommend that two adults work together to assemble this game. You may want to carefully cut or tear the four corners of the box so that the bottom of the box can be used as your work surface.
2. Remove all of the contents from box and verify that you have all of the parts shown on the Parts List before you begin assembly. **Note: Some parts may be pre-installed or pre-assembled.**
3. Some figures or drawings may not look exactly like product.
4. ***When installing parts that have more than one screw or bolt, hand tighten all screws or bolts in place before final tightening with screwdriver or wrench.***
5. Electric screwdrivers may be helpful during assembly; however, please set a **low torque** and use extreme caution because screws may be stripped or overtightened, resulting in damaged parts, if the electric screwdriver's torque is set too high.

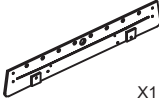
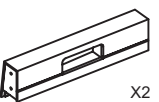



















### **WARNINGS!**












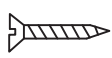

READ AND FOLLOW ALL ASSEMBLY, OPERATION AND SAFETY INSTRUCTIONS CAREFULLY.

**CHOKER HAZARD - THIS ITEM MAY CONTAIN SMALL BALLS AND PARTS  
NOT SUITABLE FOR CHILDREN UNDER 3 YEARS OF AGE.**

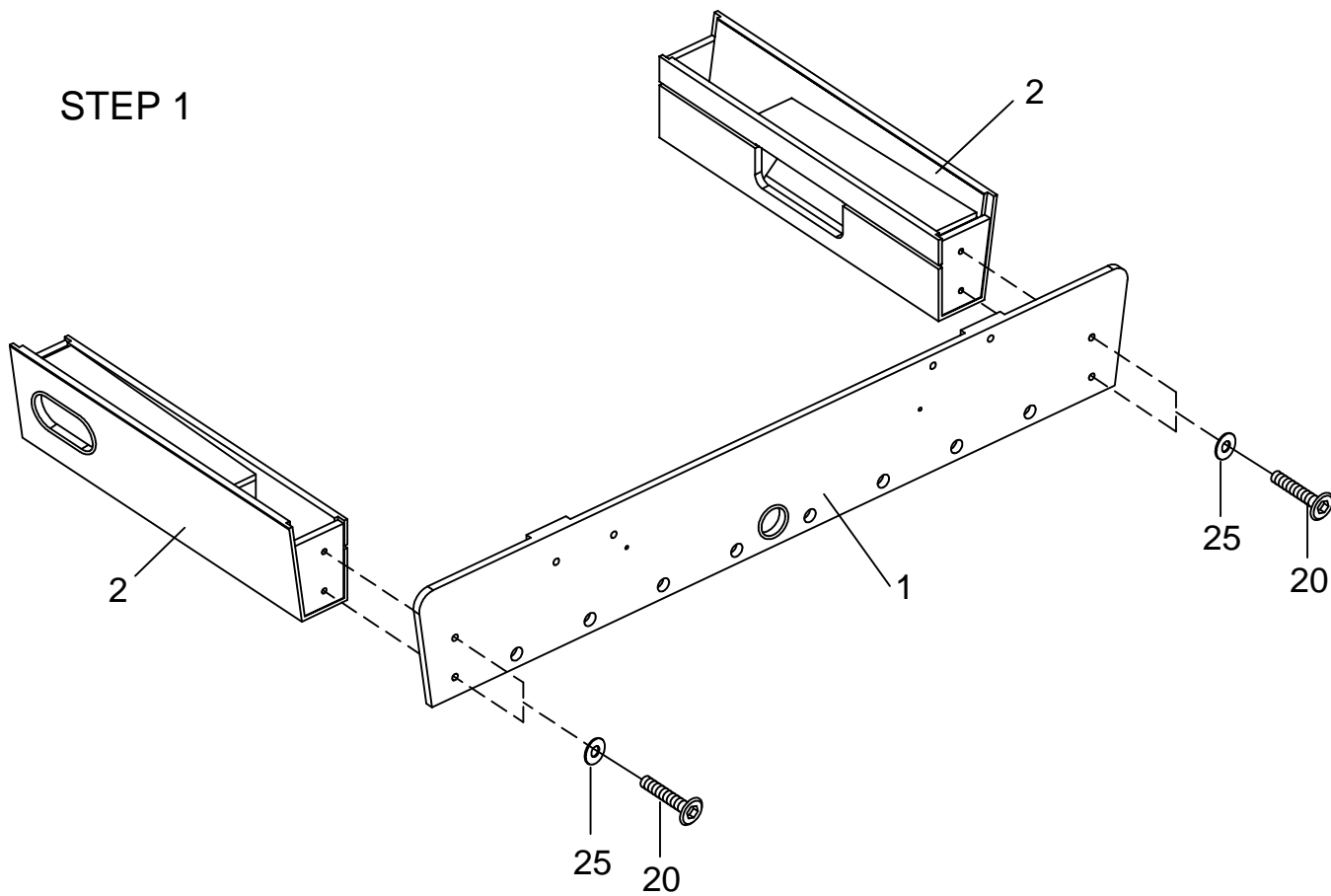
### **CARE AND USE**

1. This product is intended for **INDOOR** use only.
2. Do **NOT** drag the table when moving it, as this will damage it.

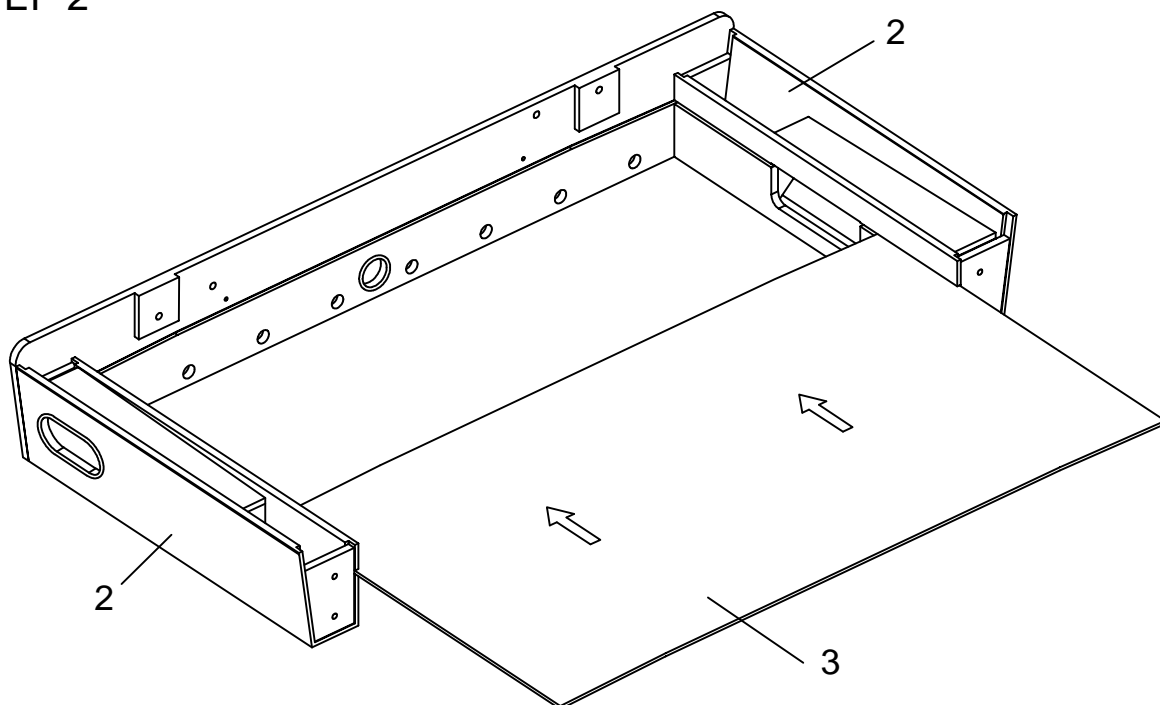
<b>1</b>  X1 SIDE PANEL	<b>2</b>  X2 END PANEL	<b>3</b>  X1 PLAYFIELD	<b>4a</b>  X2 LEG	<b>4b</b>  X2 LEG	<b>5</b>  X2 CROSS BAR	<b>6</b>  X4 HINGE
<b>7</b>  X2 SUPPORT BRACE	<b>8</b>  X2 SOCCER BALL	<b>9</b>  X8 ROD HANDLE	<b>10</b>  X8 ROD END CAP	<b>11</b>  X16 ROD BUMPER	<b>12</b>  X16 ROD WASHER	<b>13</b>  X4 STOP RING
<b>14a</b>  X11 PLAYER	<b>14b</b>  X11 PLAYER	<b>15</b>  X4 3 PLAYER ROD	<b>16</b>  X2 2 PLAYER ROD	<b>17</b>  X2 5 PLAYER ROD	<b>18</b>  X4 LEG LEVELER	<b>19</b>  X2 SLIDE SCORER

<b>20</b>  X8 1/4" x 1-1/4" BOLT	<b>21</b>  X4 1/4" x 1-3/4" BOLT	<b>22</b>  X4 1/4" x 1" BOLT	<b>23</b>  X8 1/4" x 2-1/4" BOLT	<b>24</b>  X4 1/4" x 2-1/2" BOLT	<b>25</b>  X40 1/4" WASHER	<b>26</b>  X8 1/4" LOCK NUT
<b>27</b>  X12 1/4" NUT	<b>28</b>  X4 1/8" x 1-1/2" SCREWS	<b>29</b>  X26 1/8" x 3/4" SCREWS	<b>30</b>  X8 3/16" x 1/2" BOLT	<b>31</b>  X4 1/8" x 3/4" SCREWS	<b>32</b>  X1 ALLEN WRENCH	

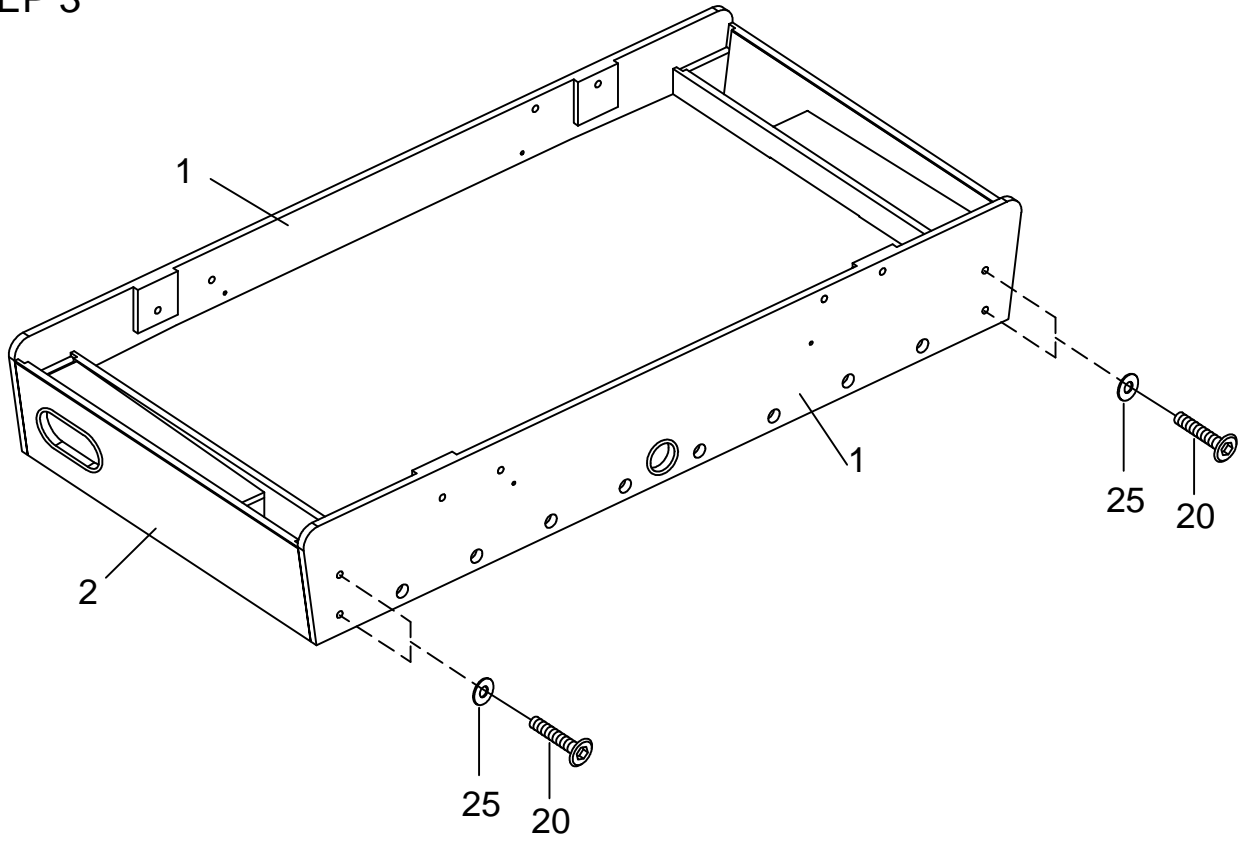
STEP 1



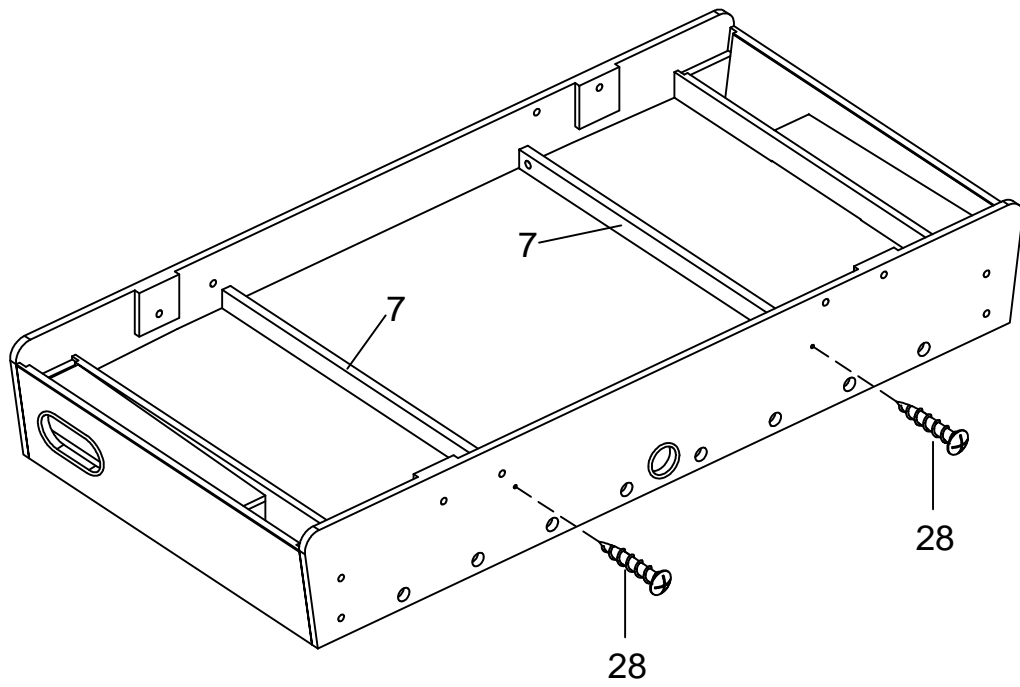
STEP 2



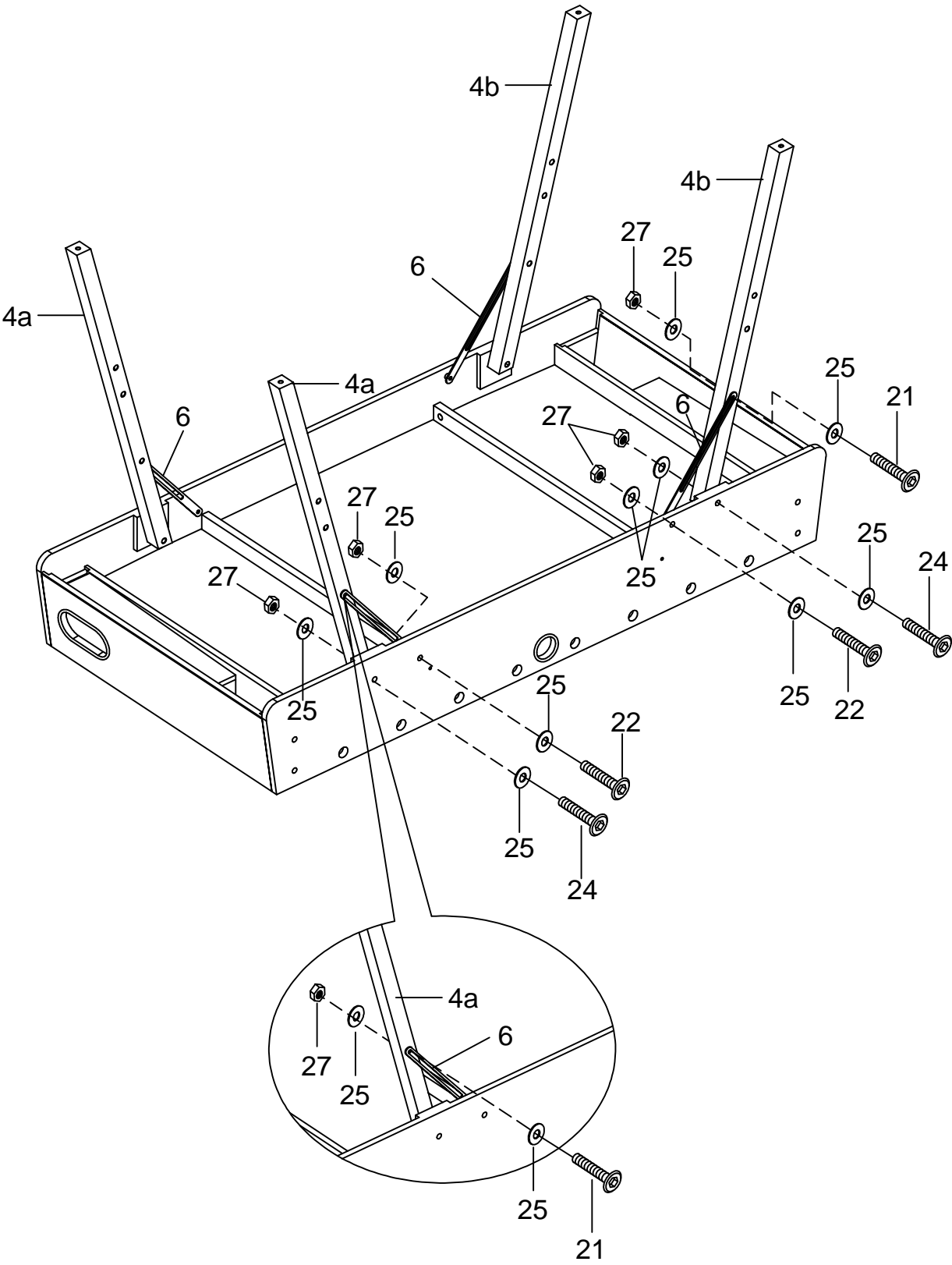
STEP 3



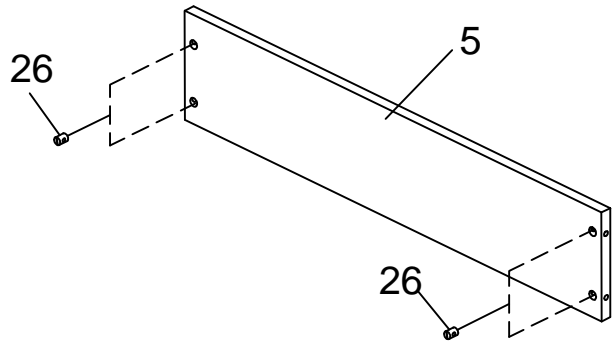
STEP 4



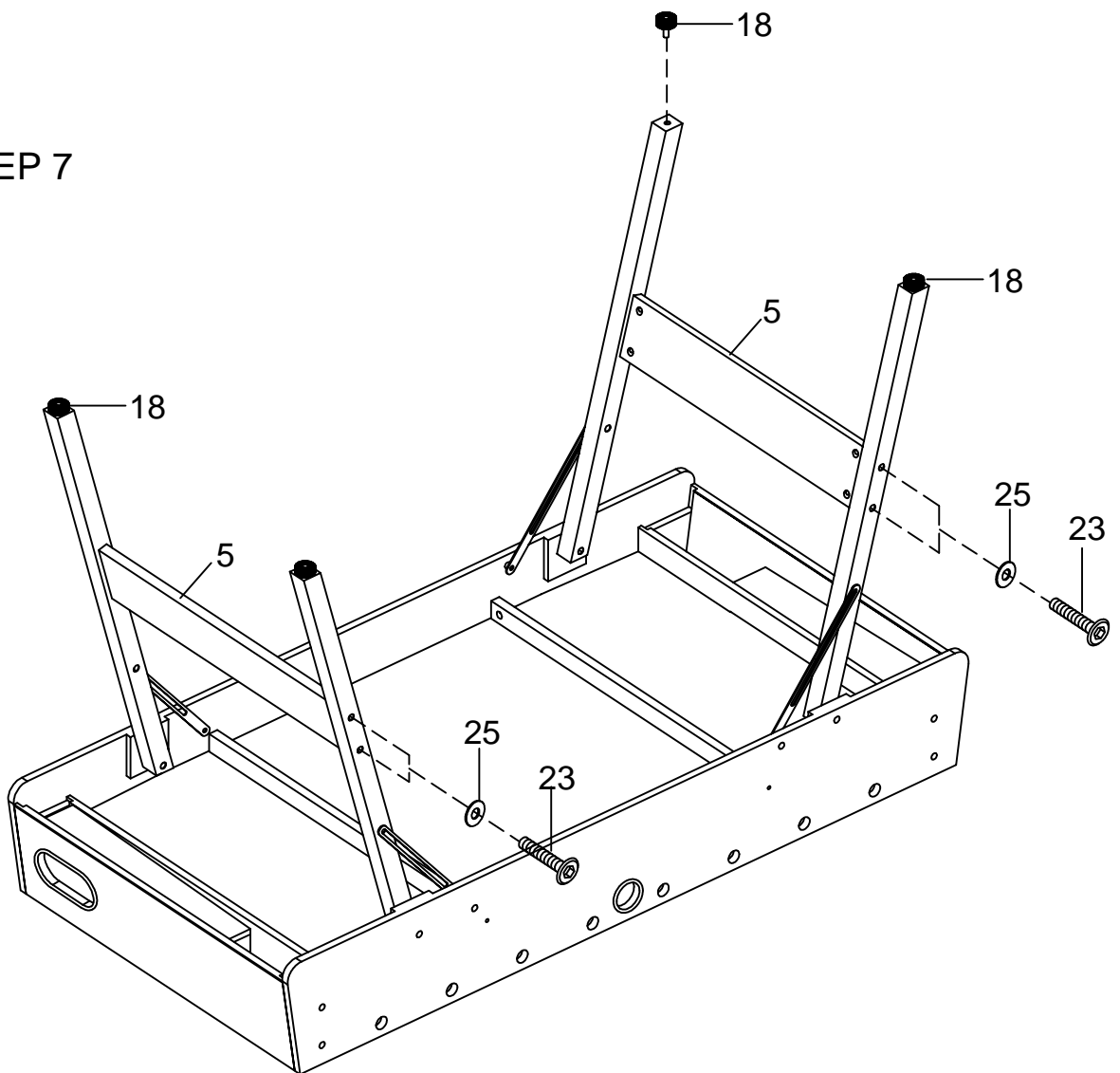
STEP 5



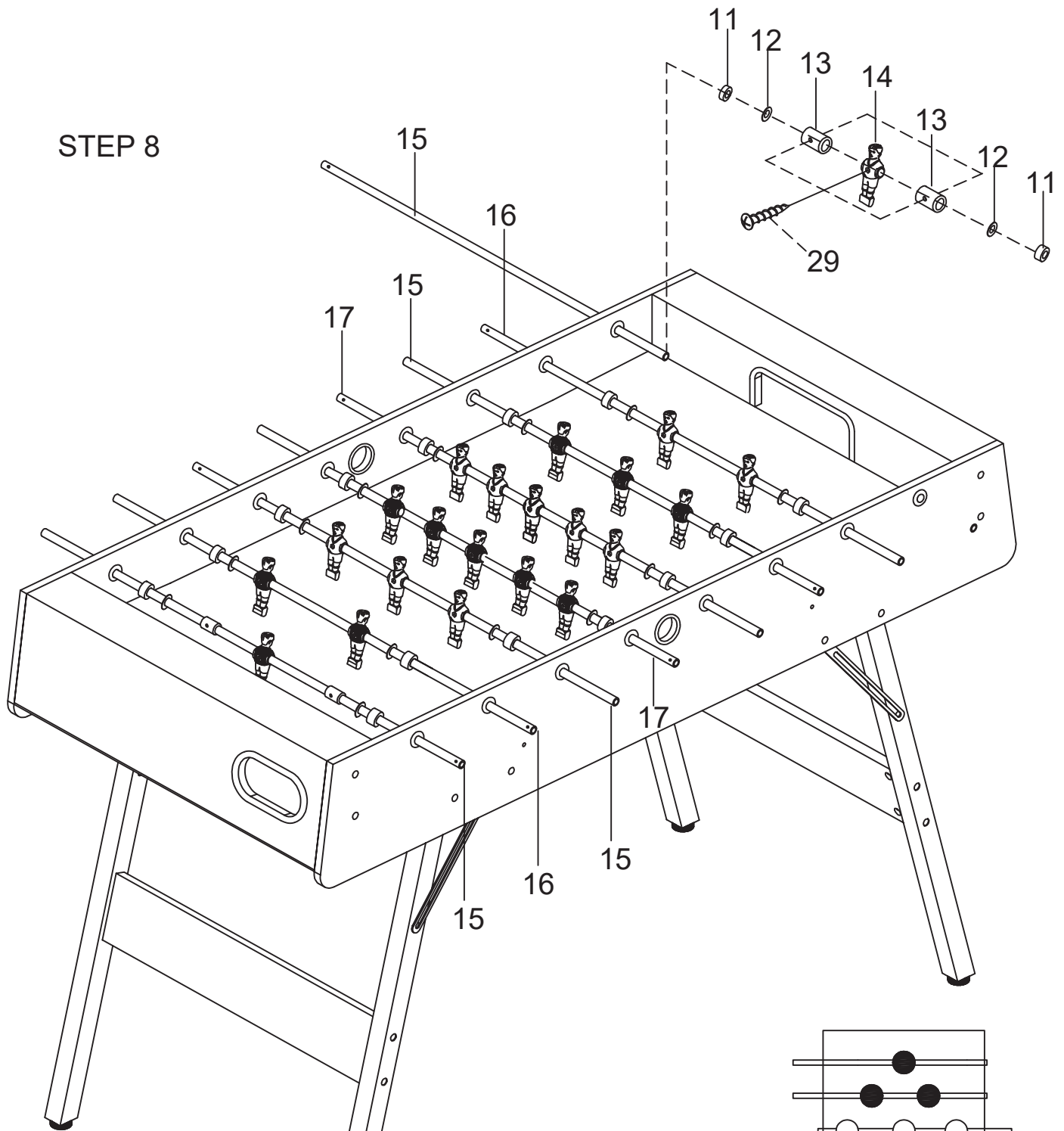
STEP 6



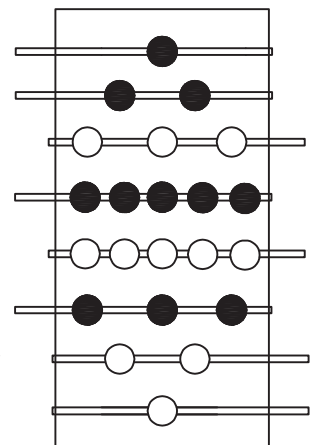
STEP 7



# STEP 8



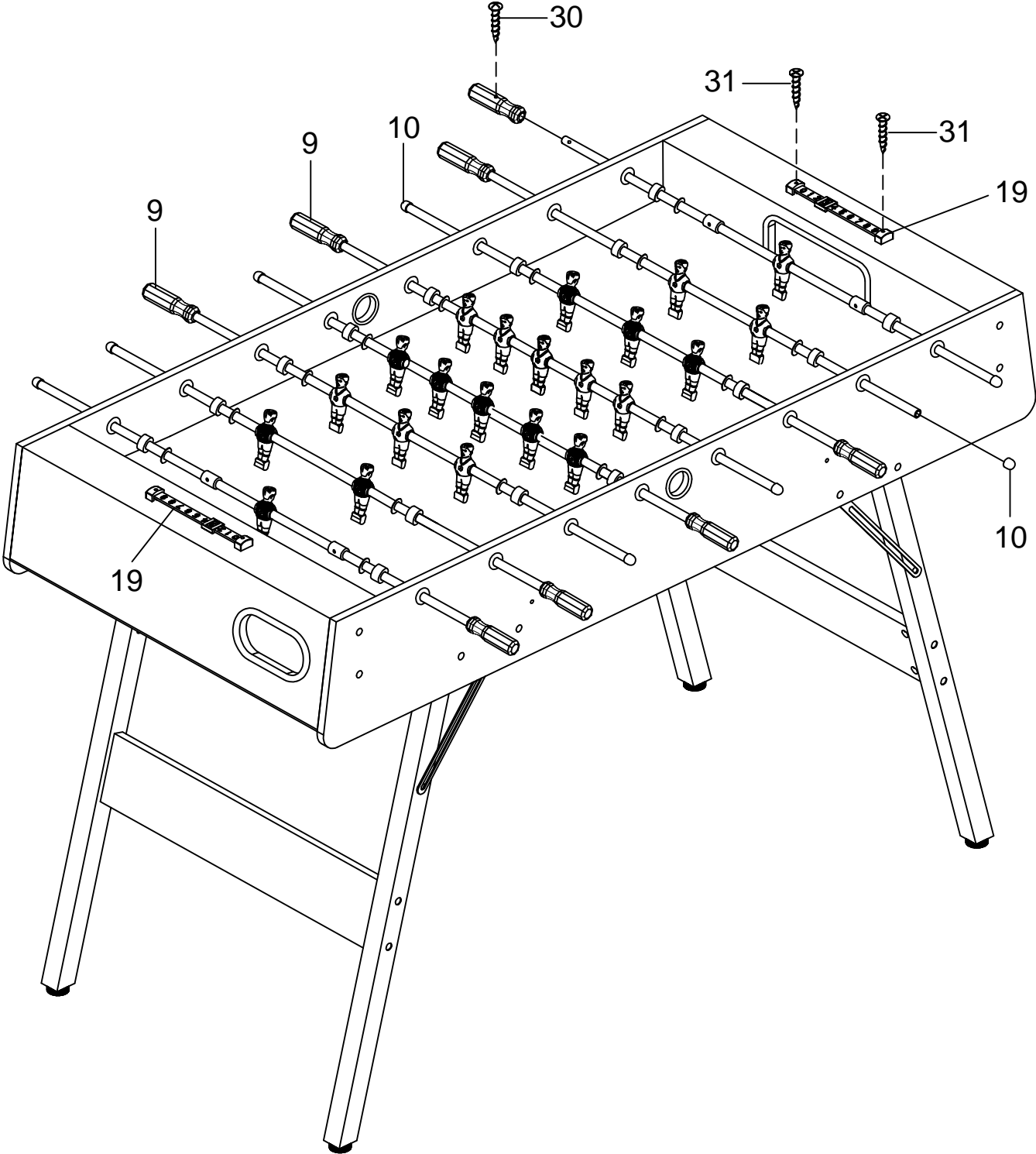
*Insert rod end part way through one side panel, then place rest of parts needed on each rod, in order shown, before inserting through other side panel.*



● = AWAY    ○ = HOME

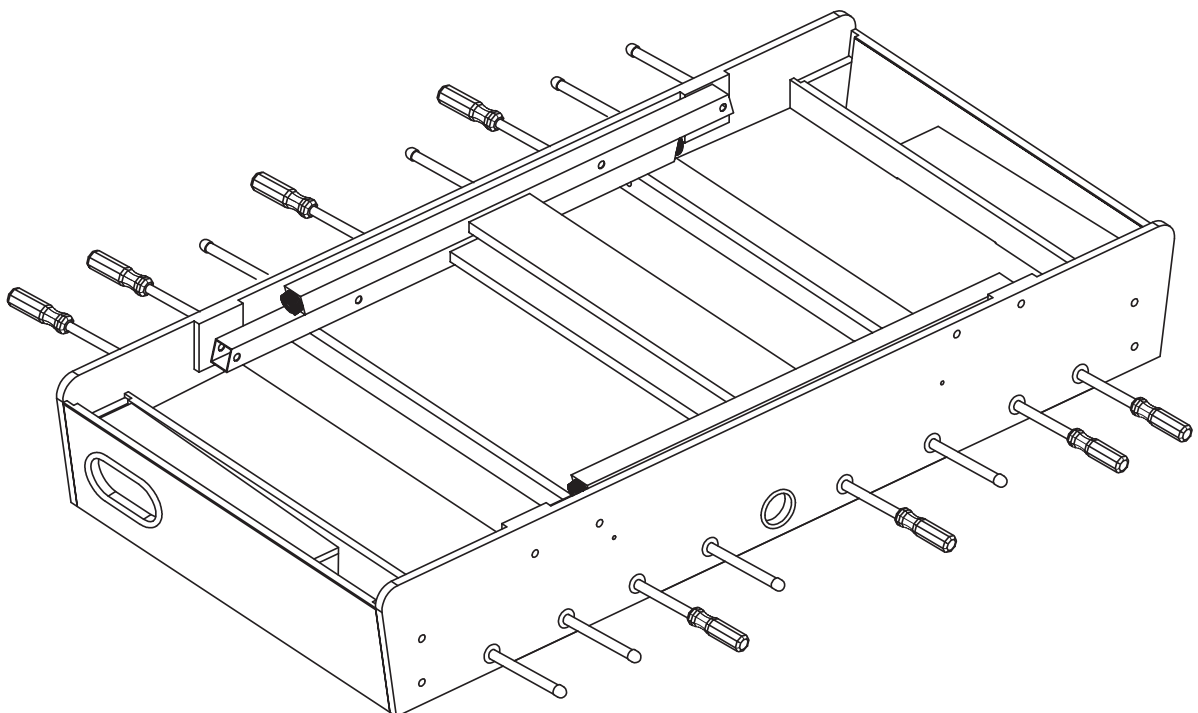
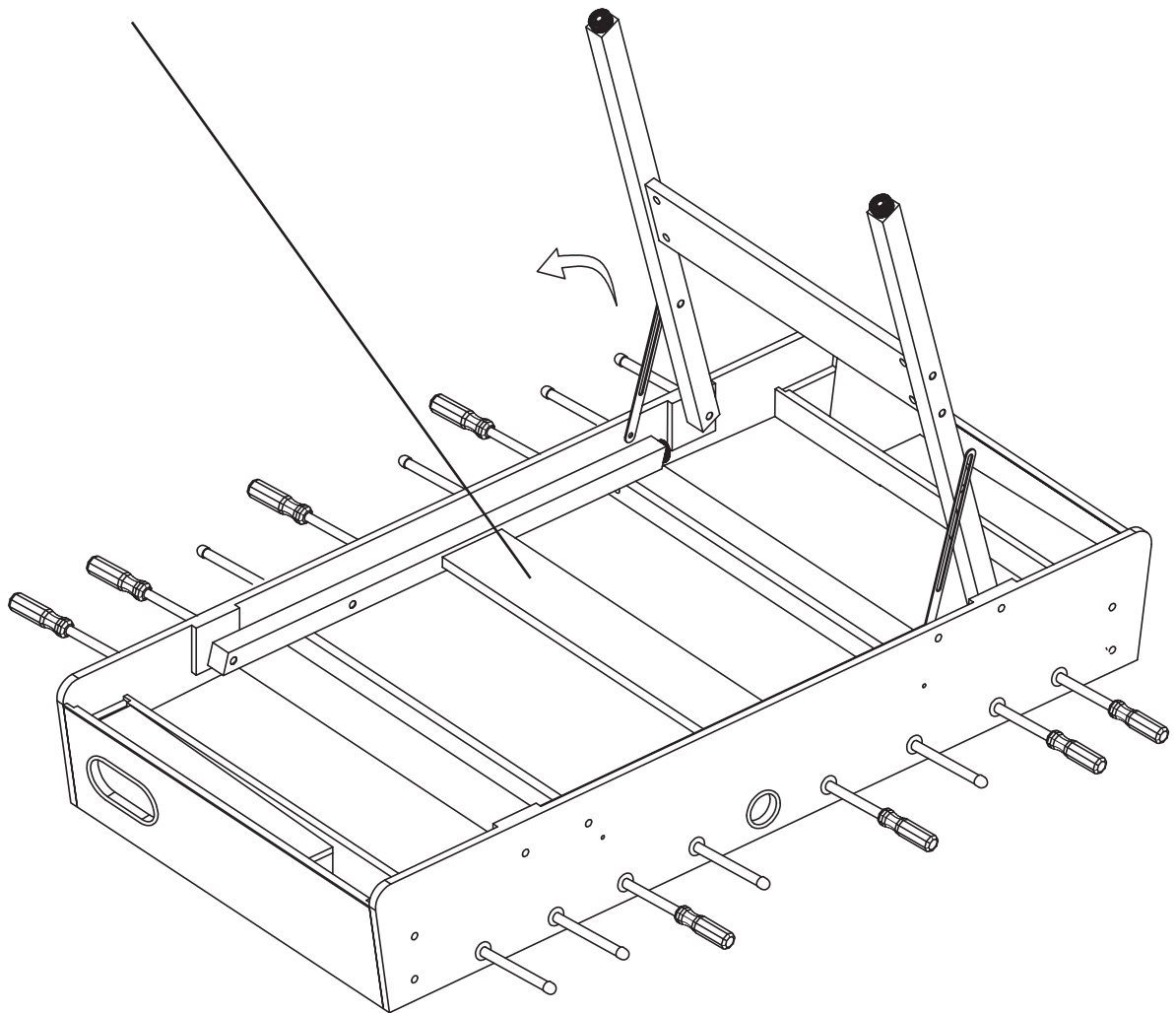


STEP 9



## STEP 10

When folding the table, be sure to fold the legs on this side first and then on the other side, overlapping them and laying them flat.



# LIFETIME WARRANTY

This product is warranted to the original purchaser to be free from defects in material or workmanship for a period of lifetime from the date of the original retail purchase.

This warranty does not cover defects or damage due to improper installation, alteration, accident or any other event beyond the control of the manufacturer. Defects or damage resulting from misuse, abuse or negligence will void this warranty. This warranty does not cover scratching or damage that may result from normal usage.

This product is not intended for institutional or commercial use; the manufacturer does not assume any liability for such use. Institutional or commercial use will void this warranty.

This warranty is nontransferable and is expressly limited to the repair or replacement of the defective product. During the warranty period, the manufacturer shall repair or replace defective parts at no cost to the purchaser. Shipping charges and insurance are not covered and are the responsibility of the purchaser. Labor charges and related expenses for removal, installation or replacement of the product or components are not covered under this warranty.

The manufacturer reserves the right to make substitutions to warranty claims if parts are unavailable or obsolete.

The manufacturer shall not be liable for loss of use of the product or other consequential or incidental costs, expenses or damages incurred by the consumer of any other use. The user assumes all risk of injury resulting from the use of this product.

This warranty is expressly in lieu of all other warranties, expressed or implied, including warranties of merchantability or fitness for use to the extent permitted by Federal or state law. Neither the manufacturer nor any of its representatives assumes any other liability in connection with this product.

**All warranty claims must be made through the retailer where the product was originally purchased. A purchase receipt or other proof of date of purchase will be required to process all warranty claims. The model number and part numbers found within the assembly instructions will be required when submitting any parts requests or warranty claims.**

**For further warranty information or inquiries, please call 1-866-844-5425**