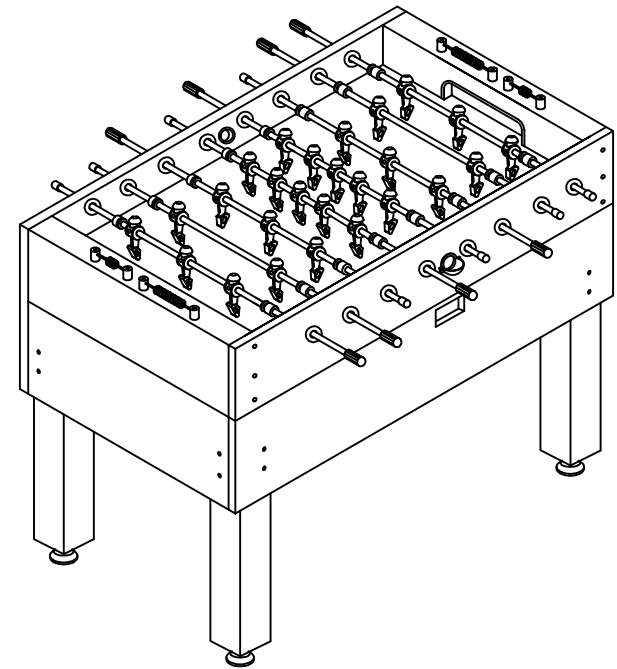




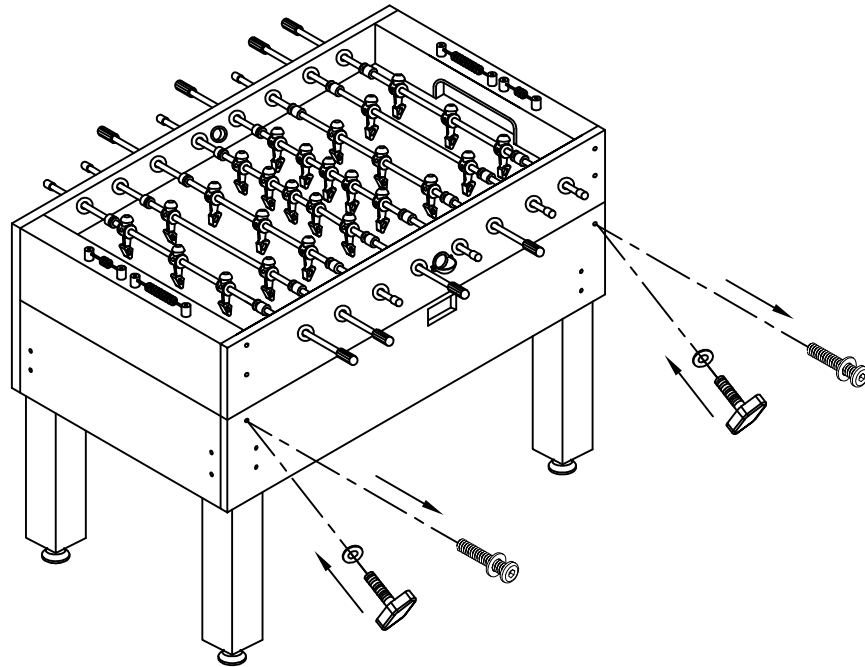
TABLE SOCCER

ASSEMBLY INSTRUCTIONS

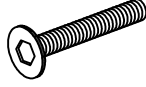


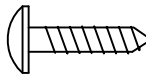
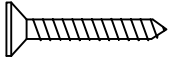
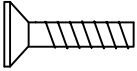
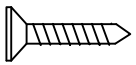


PARTS IDENTIFIER


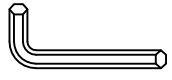
HARDWARE



WHEN YOU ASSEMBLY THE TABLE FINISH.
 MOVE THE BOLT , INSERT THE HANDLE BOLT.
 SEE THE Figure.

	DESCRIPTION	QTY. REQUIRED <small>(EXTRA PIECES MAY BE INCLUDED)</small>
	H1 5/16"X2-1/4" BOLT	8
	H2 5/16"X1-5/8" BOLT	8
	H3 5/16" WASHER, BLACK FLAT	16
	H4 5/8" ROUND HEAD PHILLIPS SCREW	2
	H5 1-3/4" FLAT HEAD PHILLIPS SCREW	8
	H6 BOLT (used to install handle)	8
	S1 5/8" FLAT HEAD PHILLIPS SCREW	24

ACCESSORIES

		QTY
	A1 SOCCER BALL	6
	A2 TOOL	1

PARTS IDENTIFIER

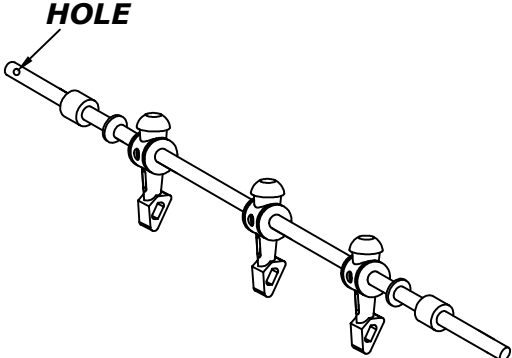
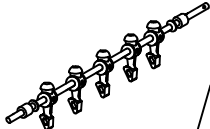
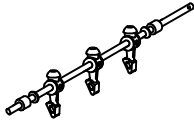
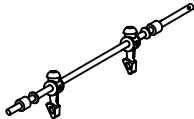
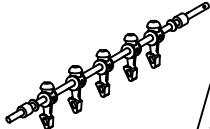
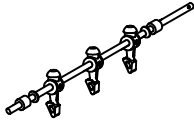
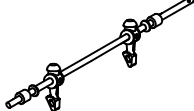
ASSEMBLY PARTS

	DESCRIPTION	QTY
	P1 SOCCER TABLE	1
	P2 LEG	4
	P3 HANDLE	8
	P4 ROD END CAP	8
	P5A BALL ENTRY CUP	2
	P6B BALL ENTRY SOCKET	2
	P7 SLIDE SCORER	4
	P8 LEG LEVELER	4
	P9 HANDLE BOLT	4
	#1a TRIANGLE a	2
	#1b TRIANGLE b	2
	#2a L STYLE PLASTIC a	2
	#2b L STYLE PLASTIC b	2
	#3a LONG PLASTIC a	2
	#3b LONG PLASTIC b	2

ASSEMBLY INSTRUCTIONS

SOCCER TABLE ASSEMBLY

WARNING: TWO ADULTS NEEDED TO ASSEMBLE SOCCER TABLE

		
	R1 5 HOME PLAYERS ROD	1
	R2 3 HOME PLAYERS ROD	2
	R3 2 HOME PLAYERS ROD	1
	R4 5 AWAY PLAYERS ROD	1
	R5 3 AWAY PLAYERS ROD	2
	R6 2 AWAY PLAYERS ROD	1

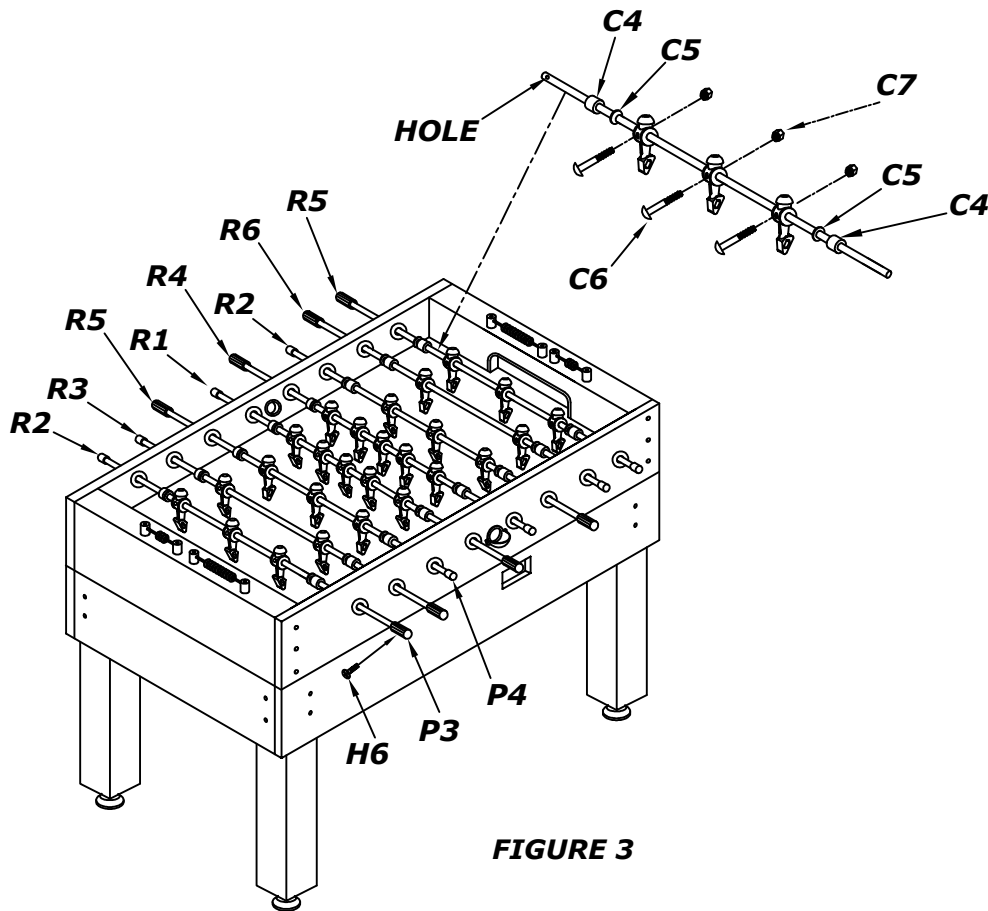
ASSEMBLY INSTRUCTIONS

SOCCKER TABLE ASSEMBLY

WARNING: TWO ADULTS NEEDED TO ASSEMBLE SOCCER TABLE

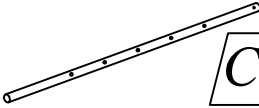
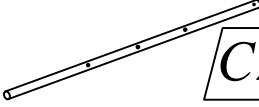
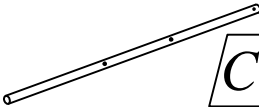

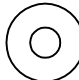
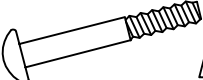

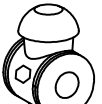
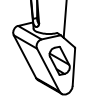
- INSERT THE PLAYER RODS **C1&C2&C3** THROUGH ONR SIDE PANEL, THEN INSERT PLAYERS **C8&C9** AND RUBBER BUSHINGS **C4**, PLASTIC WASHERS **C5** THROUGH THE ROD, REFER TO **R1~R6**. THEN INSERT THE PLAYER ROD THROUGH OTHER SIDE PANEL, ATTACH THE PLAYERS **C8&C9** WITH BOLTS **C6** AND NUTS **C7**. SEE **Figure 3**.
- ATTACH THE HANDLES **P3** WITH BOLT **H6**.
SLIDE THE RUBBER CAPS **P4** ON THE OTHER END OF THE ROD .

Tighten all the hardware before playing games !



PARTS IDENTIFIER

REPLACEMENT PARTS

	DESCRIPTION	QTY
	C1 5 PLAYER ROD	2
	C2 3 PLAYER ROD	4
	C3 2 PLAYER ROD	2
	C4 RUBBER BUSHING	16
	C5 PLASTIC ROD WASHERS	16
	C6 1-1/8" BOLT (used to install men)	26
	C7 LOCKING NUT (used to install men)	26
	C8 HOME MEN	13
	C9 AWAY MEN	13

ASSEMBLY INSTRUCTIONS

SOCCKER TABLE ASSEMBLY

WARNING: TWO ADULTS NEEDED TO ASSEMBLE SOCCER TABLE

1. ATTACH THE LEGS **P2** AS SHOWN IN **figure 1** .
THE LEGS ARE ATTACHED WITH BOLTS **H1,H2**, AND WASHERS **H3**.
TIGHTEN HARDWARE AT THIS TIME.
ATTACH THE LEG LEVELERS **P8** AS SHOWN IN **figure 1**.

WARNING

This step requires two adults!
Very carefully turn the table over.
Be careful! The table is very heavy

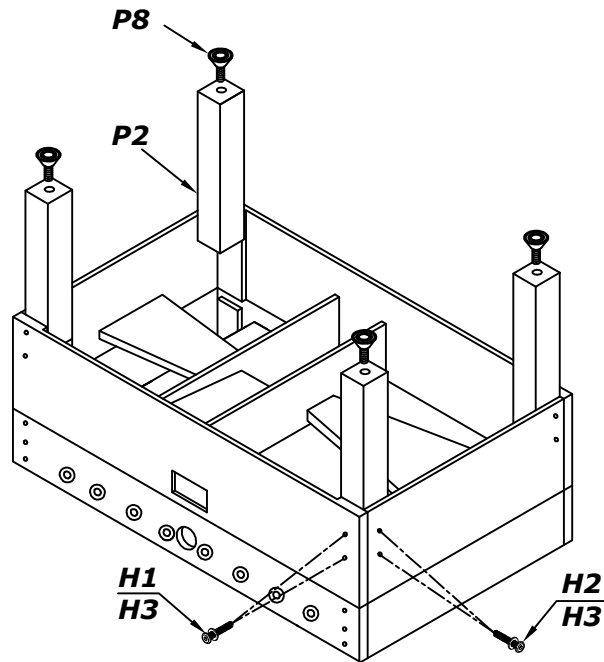


FIGURE 1

ASSEMBLY INSTRUCTIONS

SOCCKER TABLE ASSEMBLY

WARNING: TWO ADULTS NEEDED TO ASSEMBLE SOCCER TABLE

2. ATTACH BALL ENTRY CUPS **P5A** AND **P5B** TO THE SIDE PANELS WITH SCREWS **H4** AS SHOWN IN **figure 2**.
ATTACH THE TWO SETS OF SLIDE SCORER **P7** TO THE END OF TABLE WITH PHILLIS HEAD SCREWS **H5**.
3. ATTACH THE PLASTIC **#2a, #2b, #3a, #3b**, TO THE PLAYING FIELD WITH **S1** AS SHOWN IN **Figure 2**.

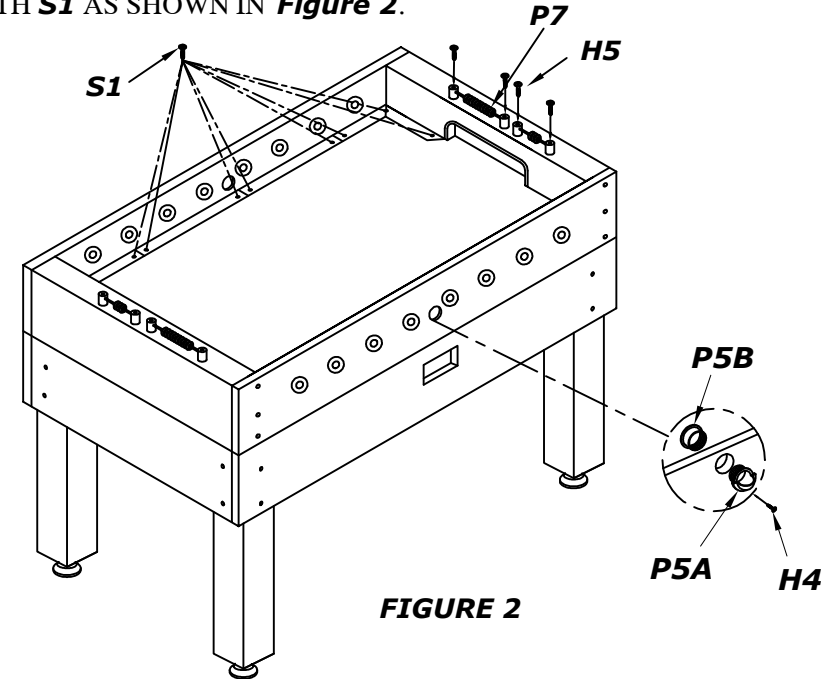


FIGURE 2

Play surface
TOP VIEW

