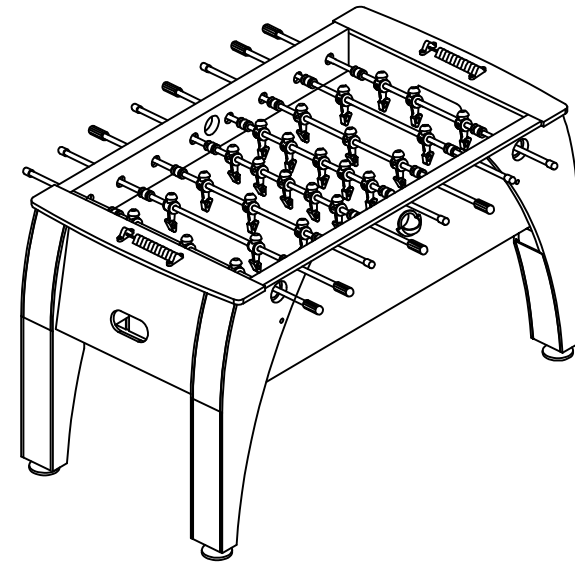


FOOSBALL TABLE

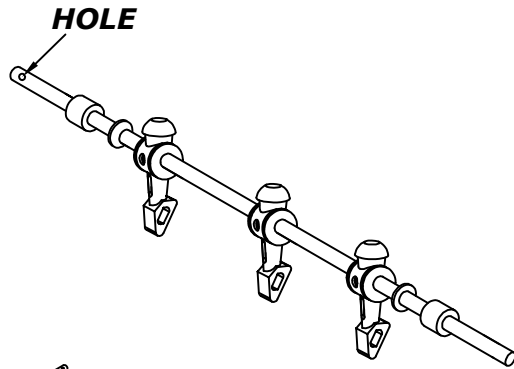
ASSEMBLY INSTRUCTIONS

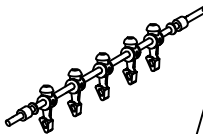
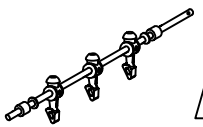
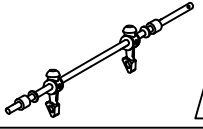
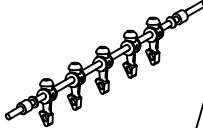
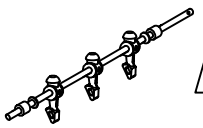
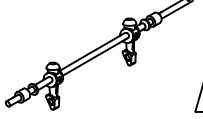


ASSEMBLY INSTRUCTIONS

SOCCER TABLE ASSEMBLY

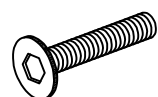
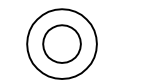
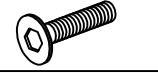



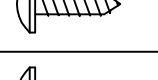
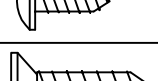
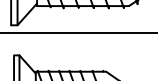
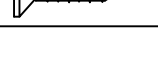
WARNING: Two adults needed to assemble soccer table





	R1	5 HOME PLAYERS ROD	1
	R2	3 HOME PLAYERS ROD	2
	R3	2 HOME PLAYERS ROD	1
	R4	5 AWAY PLAYERS ROD	1
	R5	3 AWAY PLAYERS ROD	2
	R6	2 AWAY PLAYERS ROD	1

PARTS IDENTIFIER

HARDWARE

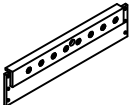

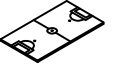






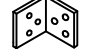



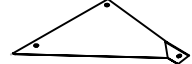
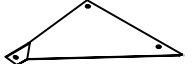
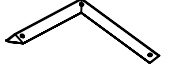
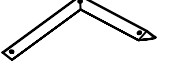
	DESCRIPTION	QTY
	H1 5/16"x1-3/8" Bolt	20
	H2 5/16" Washer	20
	H3 3/16"x1-1/2" Bolt	12
	H4 3/16" Washer	12
	H5 Cylindrical nut	12
	H6 1-1/8" Flat Head Screw	10
	H7 5/8" Round Head Screw	10
	H8 1/2" Round Head Screw	36
	H9 Screw (used to install handle)	8
	S1 5/8" Flat Head Screw	24

ACCESSORIES

	DESCRIPTION	QTY
	A1 Soccer Ball	6
	A2 Tool	1

PARTS IDENTIFIER

ASSEMBLY PARTS

	DESCRIPTION	QTY
	P1 Side Panel	2
	P2 End Panel	2
	P3 Playing Field	1
	P4A Left Leg	2
	P4B Right Leg	2
	P5 Leg Leveler	4
	P6 Handle	8
	P7 Rod End Cap	8
	P8 Playfield Support Brace	3
	P9 Support Bracket	6
	P10A Ball Entry Cup	2
	P10B Ball Entry Socket	2
	P11 Slide Scorer	2
	#1a Triangle a	2
	#1b Triangle b	2
	#2a L style plastic a	2
	#2b L style plastic b	2

ASSEMBLY INSTRUCTIONS

SOCCER TABLE ASSEMBLY

WARNING: Two adults needed to assemble soccer table

11. Insert the player rods **C1&C2&C3** through one side panel, then insert players **C8&C9**, rubber bushings **C4**, plastic washers **C5** through the rod, then insert the player rod through other side panel, attach the players **C8&C9** with bolts **C6** and nuts **C7**. See **Figure 7**.
12. Attach the handles **P6** to the rods using screws **H9**, Slide the rod end caps **P7** onto the other end of the rods

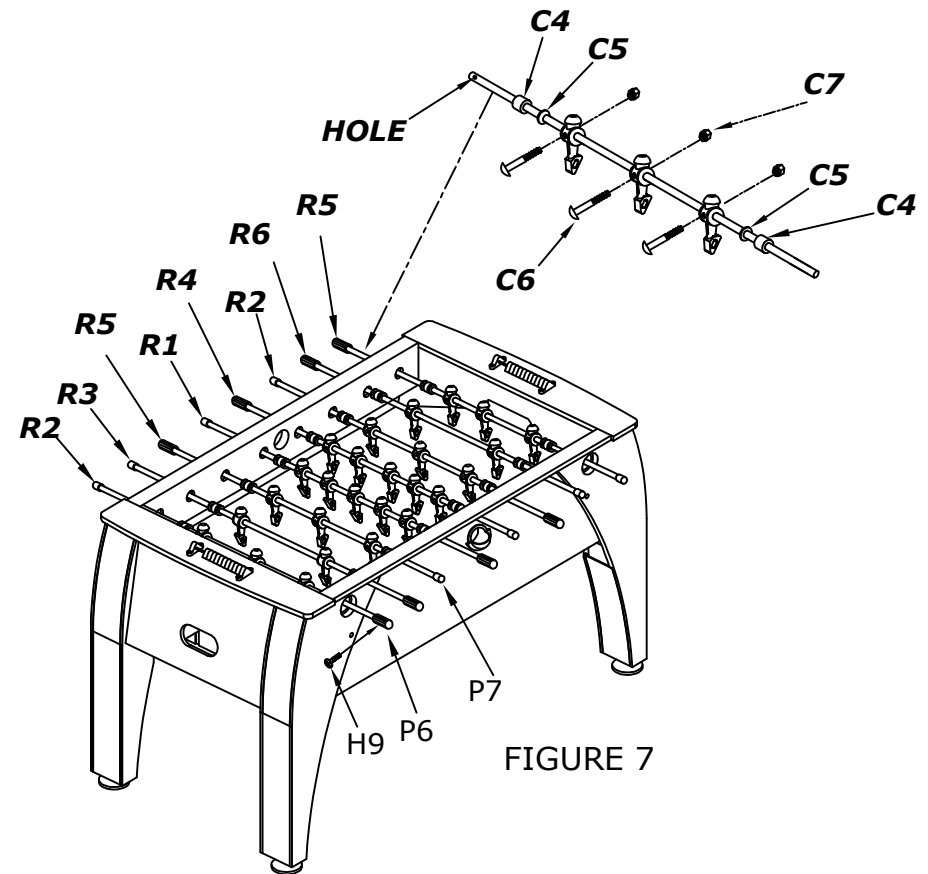


FIGURE 7

ASSEMBLY INSTRUCTIONS

SOCCER TABLE ASSEMBLY

WARNING: Two adults needed to assemble soccer table

8. Attach ball entry cups **P10A** and ball entry cup sockets **P10B** to the side panels with screws **H7** as shown in **Figure 6**.
9. Attach the two sets of slide scorer **P11** to the end panels with **H7** as shown in **Figure 6**.
10. Attach the plastic **#2a, #2b, #3a, #3b**, to the Playing Field with **S1** as shown in **Figure 6**.

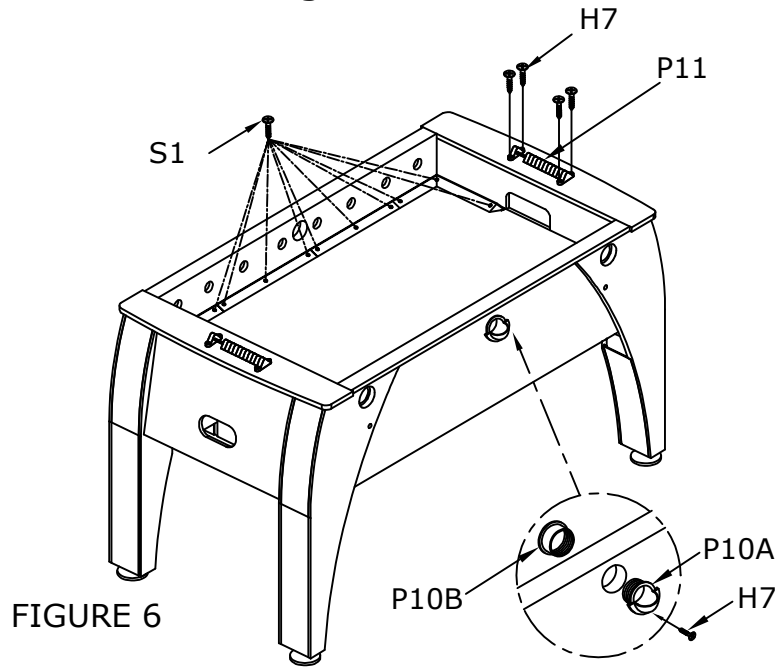
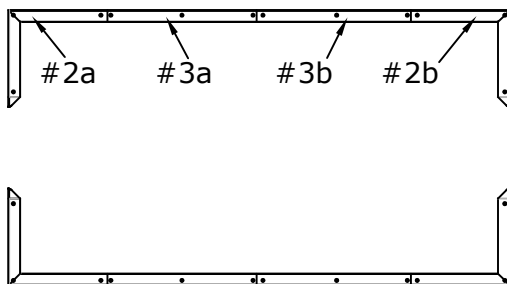
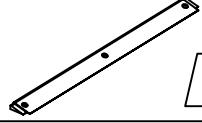
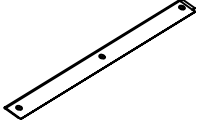


FIGURE 6

Play surface
TOP VIEW



PARTS IDENTIFIER

	#3a	Long plastic a	2
	#3b	Long plastic b	2

REPLACEMENT PARTS

		DESCRIPTION	QTY
	C1	5 Player Rod	2
	C2	3&1 Player Rod	4
	C3	2 Player Rod	2
	C4	Rubber Bushing	16
	C5	Plastic Rod Washer	16
	C6	5/32" x 1" Bolt (used to install men)	26
	C7	5/32" Lock Nut (used to install men)	26
	C8	Away Men	13
	C9	Home Men	13

PARTS IDENTIFIER

ASSEMBLY PARTS

WARNING: Two adults needed to assemble soccer table

1. Insert playing field **P3** into the groove on the end panels **P2** with graphics facing down. See **Figure 1**.

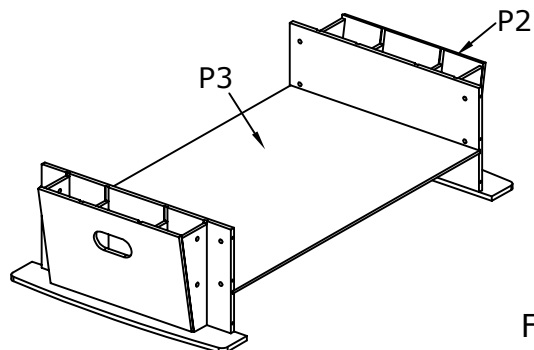


FIGURE 1

2. Insert the nut **H5** into the hole of the end panel as shown in **FIGURE 2**. the hole of the nut align the hole of the panel.
3. Attach the two side panels **P1** to the end panels **P2** with bolts **H3** and washer **H4** . see figure 3.

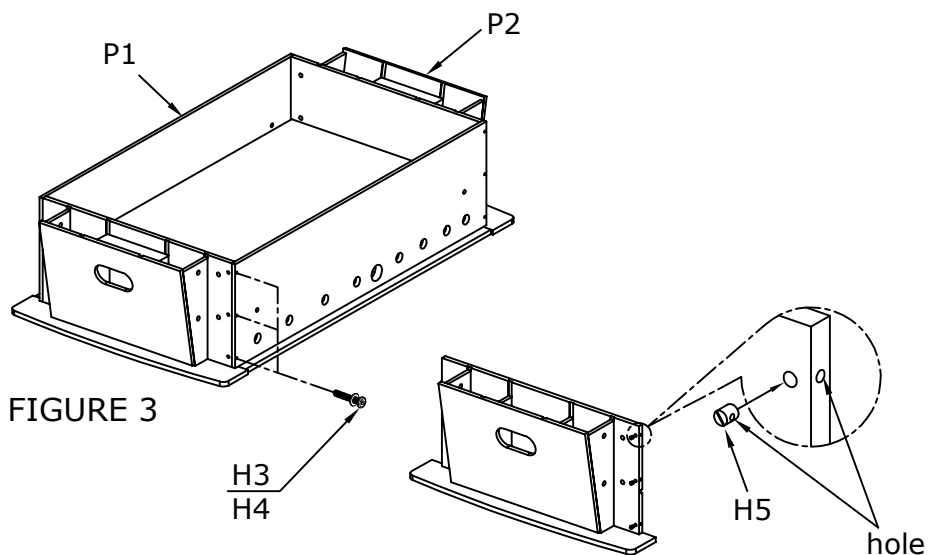


FIGURE 3

FIGURE 2

4

ASSEMBLY INSTRUCTIONS

SOCCER TABLE ASSEMBLY

WARNING: Two adults needed to assemble soccer table

4. Attach the playing field in the sind and end panels with screws **H6**. see figure 4.
5. Place the playfield suport braces on the bottom of the playfield . Attach the braces using brackets **P9** and screws **H8**. see figure 4.

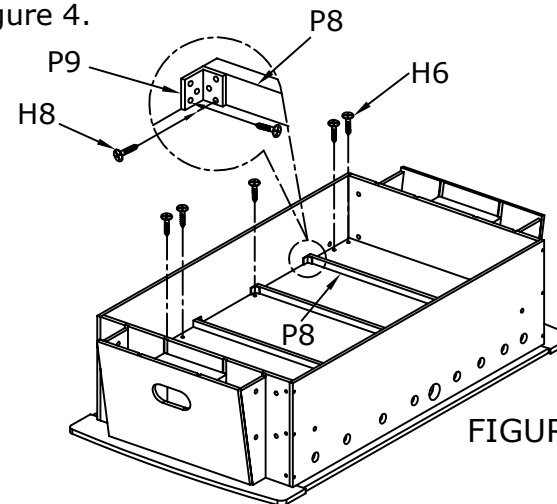


FIGURE 4

6. Attach the legs **P4A&P4B** with five bolts **H1** and washers **H2**.
7. Attach the leg levelers **P5** as shown in **Figure 5**.

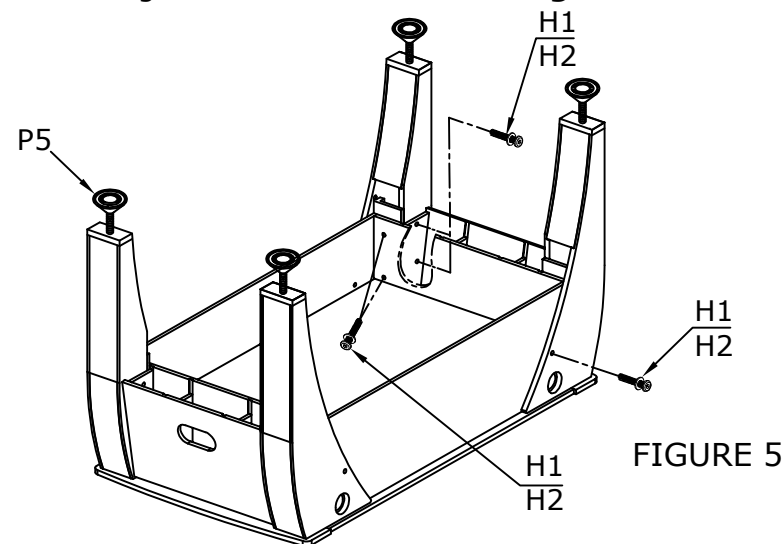


FIGURE 5

5